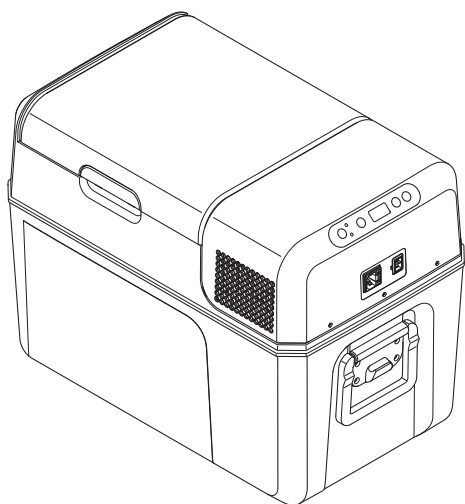


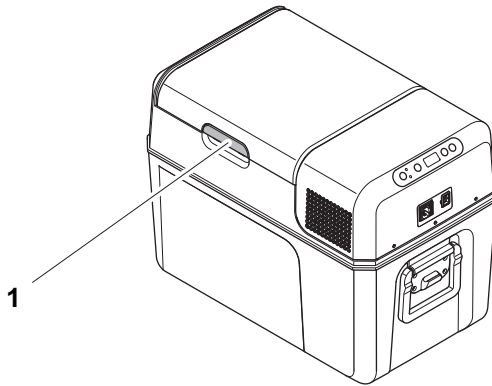
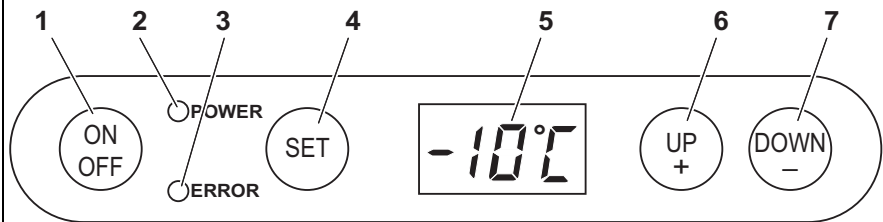
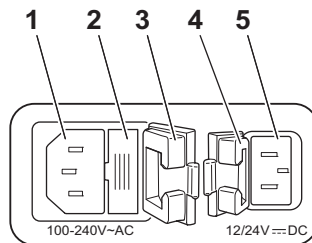
# MOBICOOL

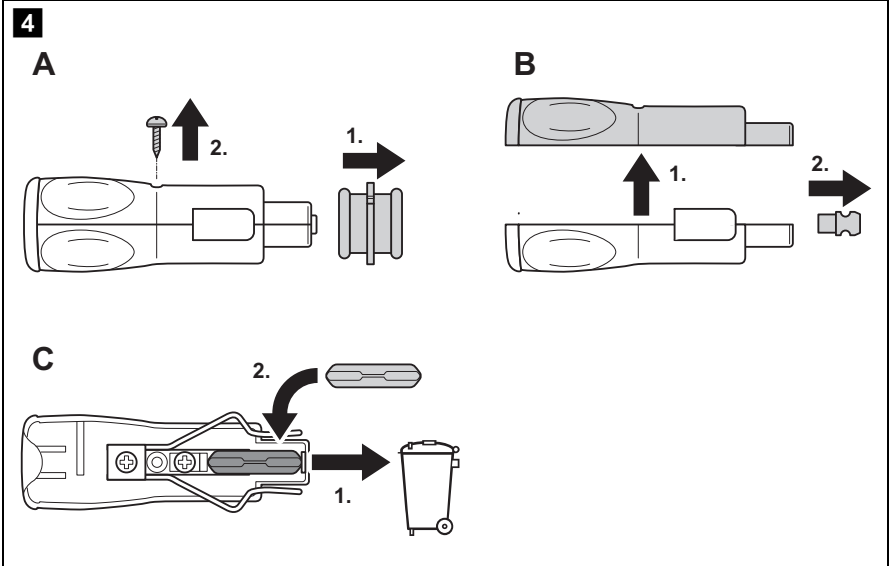
Our Name is our Mission

FR34  
FR40  
AC/DC



|           |  |     |
|-----------|--|-----|
| <b>EN</b> | <b>Compressor Cooler</b><br>Operating manual . . . . .                   | 4   |
| <b>DE</b> | <b>Kompressor-Kühlbox</b><br>Bedienungsanleitung . . . . .               | 19  |
| <b>FR</b> | <b>Glacière à compression</b><br>Notice d'utilisation . . . . .          | 35  |
| <b>ES</b> | <b>Nevera por compresor</b><br>Instrucciones de uso . . . . .            | 51  |
| <b>IT</b> | <b>Frigorifero a compressore</b><br>Istruzioni per l'uso . . . . .       | 67  |
| <b>NL</b> | <b>Compressorkoelbox</b><br>Gebruiksaanwijzing . . . . .                 | 83  |
| <b>DA</b> | <b>Kompressor-køleboks</b><br>Betjeningsvejledning . . . . .             | 98  |
| <b>SV</b> | <b>Kylbox med kompressor</b><br>Bruksanvisning . . . . .                 | 113 |
| <b>NO</b> | <b>Kjøleboks med kompressor</b><br>Bruksanvisning . . . . .              | 128 |
| <b>FI</b> | <b>Kompressori-kylmälaatikko</b><br>Käyttöohje . . . . .                 | 143 |
| <b>PT</b> | <b>Geleira com compressor</b><br>Manual de instruções . . . . .          | 158 |
| <b>RU</b> | <b>Компрессорный холодильник</b><br>Инструкция по эксплуатации . . . . . | 174 |
| <b>PL</b> | <b>Przenośna lodówka kompresorowa</b><br>Instrukcja obsługi . . . . .    | 191 |
| <b>CS</b> | <b>Kompressorový chladicí box</b><br>Návod k obsluze . . . . .           | 207 |
| <b>SK</b> | <b>Chladiaci box s kompresorom</b><br>Návod na obsluhu . . . . .         | 222 |
| <b>HU</b> | <b>Kompresszor hűtőláda</b><br>Használati utasítás . . . . .             | 237 |

**1****2****3**



**Please read this operating manual carefully before starting the device. Keep it in a safe place for future reference. If the device is passed on to another person, this operating manual must be handed over to the user along with it.**

The manufacturer cannot be held liable for damage resulting from **improper usage** or **incorrect operation**.

## Contents

|           |  |           |
|-----------|--|-----------|
| <b>1</b>  | <b>Explanation of symbols</b> . . . . .        | <b>5</b>  |
| <b>2</b>  | <b>Safety instructions</b> . . . . .           | <b>5</b>  |
|           | 2.1 General safety . . . . .                   | 5         |
|           | 2.2 Operating the device safely . . . . .      | 7         |
| <b>3</b>  | <b>Scope of delivery</b> . . . . .             | <b>7</b>  |
| <b>4</b>  | <b>Intended use</b> . . . . .                  | <b>7</b>  |
| <b>5</b>  | <b>Function description</b> . . . . .          | <b>8</b>  |
|           | 5.1 Scope of functions . . . . .               | 8         |
|           | 5.2 Operating and display elements . . . . .   | 9         |
| <b>6</b>  | <b>Operation</b> . . . . .                     | <b>10</b> |
|           | 6.1 Before initial use . . . . .               | 10        |
|           | 6.2 Energy saving tips . . . . .               | 10        |
|           | 6.3 Connecting the cooling device . . . . .    | 11        |
|           | 6.4 Using the battery monitor . . . . .        | 11        |
|           | 6.5 Using the cooling device . . . . .         | 12        |
|           | 6.6 Latching the cooling device lid . . . . .  | 13        |
|           | 6.7 Setting the temperature . . . . .          | 13        |
|           | 6.8 Switching off the cooling device . . . . . | 14        |
|           | 6.9 Defrosting the cooling device . . . . .    | 14        |
|           | 6.10 Replacing the fuse . . . . .              | 14        |
| <b>7</b>  | <b>Cleaning and maintenance</b> . . . . .      | <b>15</b> |
| <b>8</b>  | <b>Guarantee</b> . . . . .                     | <b>15</b> |
| <b>9</b>  | <b>Troubleshooting</b> . . . . .               | <b>16</b> |
| <b>10</b> | <b>Disposal</b> . . . . .                      | <b>16</b> |
| <b>11</b> | <b>Technical data</b> . . . . .                | <b>17</b> |

# 1 Explanation of symbols

**WARNING!**

**Safety instruction:** Failure to observe this instruction can cause fatal or serious injury.

**CAUTION!**

**Safety instruction:** Failure to observe this instruction can lead to injury.

**NOTICE!**

Failure to observe this instruction can cause material damage and impair the function of the product.

**NOTE**

Supplementary information for operating the product.

## 2 Safety instructions

### 2.1 General safety

**WARNING!**

- Do not operate the device if it is visibly damaged.
- If this device's power cable is damaged, it must be replaced by the manufacturer, customer service or a similarly qualified person in order to prevent safety hazards.
- This device may only be repaired by qualified personnel. Improper repairs can lead to considerable hazards.
- This device can be used by children aged 8 years or over, as well as by persons with diminished physical, sensory or mental capacities or a lack of experience and/or knowledge, providing they are supervised or have been taught how to use the device safely and are aware of the resulting risks.
- Cleaning and user maintenance must not be carried out by children without supervision.
- Children must not play with the device.

- Children must be supervised to ensure that they do not play with the device.
- Always keep and use the device out of the reach of children under the age of 8 years.
- Do not store any explosive substances such as spray cans with a flammable propellant in the device.

**CAUTION!**

- Disconnect the device from the power supply
  - before each cleaning and maintenance
  - after every use
- Food may only be stored in its original packaging or in suitable containers.

**NOTICE!**

- Check that the voltage specification on the type plate corresponds to that of the energy supply.
- Only connect the device as follows:
  - With the DC cable to a DC plug socket in the vehicle (e. g. cigarette lighter)
  - Or with the AC connection cable to the AC mains supply
- Never pull the plug out of the socket by the cable.
- If the cooler is connected to the DC socket: Disconnect the cooler and other power consuming devices from the battery before connecting the quick charging device.
- If the cooler is connected to the DC socket: Disconnect the cooler or switch it off when you turn off the engine. Otherwise you may discharge the battery.
- The cooling device is not suitable for transporting caustic materials or materials containing solvents.
- The cooling device contains inflammable cyclopentane in the insulation. The gases in the insulation material require special disposal procedures. Deliver the device at the end of its life-cycle to an appropriate recycling.

## 2.2 Operating the device safely



### CAUTION!

- Before starting the device, ensure that the power supply line and the plug are dry.



### NOTICE!

- Do not use electrical devices inside the cooler unless they are recommended by the manufacturer for the purpose.
- Do not place the device near naked flames or other heat sources (heaters, direct sunlight, gas ovens etc.).
- **Danger of overheating!**  
Ensure at all times that there is sufficient ventilation so that the heat that arises during operation does not build up. Make sure that the device is sufficiently far away from walls and other objects so that the air can circulate.
- Ensure that the ventilation openings are not covered.
- Do not fill the inner container with ice or fluid.
- Never immerse the device in water.
- Protect the device and the cable against heat and moisture.

## 3 Scope of delivery

| Quantity | Description         |
|----------|---------------------|
| 1        | Compressor cooler   |
| 1        | DC connection cable |
| 1        | AC connection cable |
| 1        | Operating manual    |

## 4 Intended use

The compressor cooler is suitable for cooling and freezing foods. The compressor cooler is also suitable for use on boats.

The compressor cooler is designed to be operated from a DC power supply socket of a vehicle, boat or caravan or from an AC mains.

**CAUTION! Health hazard!**

Please check if the cooling capacity of the cooling device is suitable for storing the food or medicine you wish to cool.

## 5 Function description

The cooling device can chill products, keep them cool as well as freeze them.

A low maintenance refrigerant circuit with compressor provides the cooling. The foamed in place insulation and compact compressor ensure optimum cooling.

The cooling device is portable.

When used on boats, the cooling device can withstand a constant heel (inclination) of 30°.

### 5.1 Scope of functions

- Three-level battery monitor to protect the vehicle battery
- Display with temperature gauge switches off automatically at low battery voltage
- Temperature setting: With two buttons in steps of 1 °C (2 °F)



## 5.2 Operating and display elements

Latch for lid: fig. **1** 1, page 2

Operating panel (fig. **2**, page 2)

| Item | Description | Explanation  |
|------|-------------|--|
| 1    | ON<br>OFF   | Switches the cooling device on or off when the button is pressed for between one and two seconds   |
| 2    | POWER       | Status indication<br><hr/> LED lights up green: Compressor is on<br><hr/> LED lights up orange: Compressor is off<br><hr/> LED flashes orange: Display switched off automatically due to low battery voltage |
| 3    | ERROR       | LED flashes red: Cooling device is switched on but not ready for operation   |
| 4    | SET         | Selects the input mode<br>– Temperature setting<br>– Celsius or Fahrenheit display<br>– Set battery monitor  |
| 5    | –           | Display, shows the information   |
| 6    | “+”         | Press once to increase the value   |
| 7    | “–”         | Press once to decrease the value   |

Connectors (fig. **3**, page 2)

| Item | Description     |
|------|-----------------|
| 1    | AC socket       |
| 2    | Fuse holder     |
| 3    | Cover AC socket |
| 4    | Cover DC socket |
| 5    | DC socket       |

## 6 Operation

### 6.1 Before initial use

**NOTE**

Before starting your new cooling device for the first time, you should clean it inside and outside with a damp cloth for hygienic reasons (please also refer to the chapter “Cleaning and maintenance” on page 15).

#### Selecting the temperature units

You can switch the temperature display between Celsius and Fahrenheit. Proceed as follows:

- Switch on the cooling device.
- Press the “SET” button twice.
- Use the “+” and “-” buttons to select Celsius or Fahrenheit.
- ✓ The selected temperature units then appear in the display for a few seconds. The display flashes several times before it returns to the current temperature.

### 6.2 Energy saving tips

- Choose a well ventilated installation location which is protected against direct sunlight.
- Allow warm food to cool down first before placing it in the cooling device to keep cool.
- Do not open the cooling device more often than necessary.
- Do not leave the cooling device open for longer than necessary.
- Defrost the cooling device once a layer of ice forms.
- Avoid unnecessarily low temperatures.

### 6.3 Connecting the cooling device

The cooling device can be operated with DC or AC voltage.



***NOTICE! Danger of damage!***

Disconnect the cooling device and other consumer units from the vehicle battery before you connect the vehicle battery to a quick charging device.

Overvoltage can damage the electronics of the cooling device.

For safety reasons the cooling device is equipped with an electronic system to prevent the polarity reversal. This protects the cooling device against short-circuiting when connecting to a battery.

- Plug the DC connection cable into the DC socket and connect it to a DC power socket or ...
- ... plug the AC connection cable into the AC voltage socket and connect it to an AC mains.
- Close the covers of the sockets not in use to prevent accidentally touching the sockets. This also prevents dust, water and dirt from entering the socket.

### 6.4 Using the battery monitor

The cooling device is equipped with a multi-level battery monitor that protects your vehicle battery against excessive discharging when the cooling device is connected to the DC power supply.

If the cooling device is operated when the vehicle ignition is switched off, the cooling device switches off automatically as soon as the supply voltage falls below a set level. The cooling device will switch back on once the vehicle battery has been recharged to the restart voltage level.



***NOTICE! Danger of damage!***

When switched off by the battery monitor, the vehicle battery will no longer be fully charged. Avoid starting repeatedly or operating current consumers without longer charging phases. Ensure that the vehicle battery is recharged.

In “HIGH” mode, the battery monitor responds faster than at the levels “LOW” and “MED” (see the following table).

| Battery monitor mode       | LOW    | MED    | HIGH   |
|----------------------------|--------|--------|--------|
| Switch-off voltage at 12 V | 10.1 V | 11.4 V | 11.8 V |
| Restart voltage at 12 V    | 11.1 V | 12.2 V | 12.6 V |
| Switch-off voltage at 24 V | 21.5 V | 24.1 V | 24.6 V |
| Restart voltage at 24 V    | 23.0 V | 25.3 V | 26.2 V |

Proceed as follows to select the battery monitor mode:

- Switch on the cooling device.
- Press the “SET” button three times.
- Use the “+” and “-” buttons to select the battery monitor mode.
- ✓ The selected mode then appears in the display for a few seconds. The display flashes several times before it returns to the current temperature.



#### **NOTE**

When the cooling device is supplied by the vehicle battery, select the battery monitor mode “HIGH”. If the cooling device is connected to a supply battery, the battery monitor mode “LOW” will suffice.

## 6.5 Using the cooling device



#### **NOTICE! Danger of overheating!**

Ensure at all times that there is sufficient ventilation so that the heat that generated during operation can dissipate. Ensure that the ventilation slots are not covered. Make sure that the cooling device is sufficiently far away from walls and other objects so that the air can circulate.

- Place the cooling device on a firm foundation.



#### **NOTE**

Place the cooling device as shown (fig. **1**, page 2). If you operate the cooling device in a different position it can be damaged.

- Connect the cooling device, see chapter “Connecting the cooling device” on page 11.

**NOTICE! Danger from excessively low temperature!**

Ensure that only those objects are placed in the cooling device that are intended to be cooled at the selected temperature.

- Press the “ON/OFF” button for between one and two seconds.
- ✓ The “POWER” LED lights up.
- ✓ The display switches on and shows the current cooling temperature.

**NOTE**

The temperature displayed is that of the middle of the interior. The temperatures elsewhere can deviate from this temperature.

- ✓ The cooling device starts cooling the interior.

**NOTE**

When operating with the battery, the display switches off automatically if the battery voltage is low. The LED “POWER” flashes orange.

## 6.6 Latching the cooling device lid

- Lift the latch (fig. **1** 1, page 2) and close the lid.
- Release the latch.
- ✓ The latch audibly clicks in place and secures the cooling device lid.

## 6.7 Setting the temperature

- Press the “SET” button once.
- Use the “+” and “-” buttons to select the cooling temperature.
- ✓ The cooling temperature appears in the display for a few seconds. The display flashes several times and then the current temperature is displayed again.

## 6.8 Switching off the cooling device

- Empty the cooling device.
- Switch the cooling device off.
- Pull out the connection cable.

If you do not want to use the cooling device for a longer period of time:

- Leave the lid slightly open. This prevents odour build-up.

## 6.9 Defrosting the cooling device

Humidity can form frost in the interior of the cooling device or on the evaporator. This reduces the cooling capacity. Defrost the cooling device in good time to avoid this.



### ***NOTICE! Danger of damage!***

Never use hard or pointed tools to remove ice or to loosen objects which have frozen in place.

To defrost the cooling device, proceed as follows:

- Take out the contents of the cooling device.
- If necessary, place them in another cooling device to keep them cool.
- Switch off the cooling device.
- Leave the lid open.
- Wipe off the defrosted water.

## 6.10 Replacing the fuse

- Replace the fuse (8 A 32 V) as shown (fig. **4**, page 3).

## 7 Cleaning and maintenance

**WARNING!**

Always disconnect the device from the power supply before you clean and service it.

***NOTICE! Risk of damage***

- Never clean the cooler under running water or in dish water.
- Do not use abrasive cleaning agents or hard objects during cleaning as these can damage the cooler.

- Occasionally clean the device interior and exterior with a damp cloth.
- Make sure that the air inlet and outlet vents on the device are free of any dust and dirt, so that heat can be released and the device is not damaged.

## 8 Guarantee

The statutory warranty period applies. If the product is defective, please contact the manufacturer's branch in your country (see the back of the instruction manual for the addresses) or your retailer.

For repair and guarantee processing, please include the following documents when you send in the device:

- A copy of the receipt with purchasing date
- A reason for the claim or description of the fault

# 9 Troubleshooting

| Fault   | Possible cause   | Suggested remedy  |
|---|--|---|
| The cooling device does not function, "POWER" LED does not glow.  | There is no voltage present in the DC power socket in your vehicle.      | The ignition must be switched on in most vehicles to apply current to the DC power socket.  |
| The cooling device does not cool (plug is inserted, "POWER" LED is lit).  | Defective compressor.  | This can only be repaired by an authorised customer services unit.  |
| The cooling device does not cool (plug is inserted, "POWER" LED flashes orange, display is switched off).                         | Voltage of the vehicle battery is too low.                               | Test the vehicle battery and charge it as needed.   |
| When operating from the DC power socket: The ignition is on and the cooling device is not working and the "POWER" LED is not lit. | The DC power socket is dirty. This results in a poor electrical contact. | If the plug of your cooling device becomes very warm in the DC power socket, either the DC power socket must be cleaned or the plug has not been assembled correctly. |
|   | The fuse of the DC plug has blown.                                       | Replace the fuse (8 A) in the DC plug, see chapter "Replacing the fuse" on page 14.   |
|   | The vehicle fuse has blown.  | Replace the vehicle's DC power socket fuse (usually 15 A). Please refer to your vehicle's operating manual.   |
| The display shows an error message (e.g. "Err1") and the cooling device does not cool.  | The cooling device has switched off due to an internal fault.            | This can only be repaired by an authorised repair centre.   |

# 10 Disposal

- Place the packaging material in the appropriate recycling waste bins wherever possible.



If you wish to finally dispose of the product, ask your local recycling centre or specialist dealer for details about how to do this in accordance with the applicable disposal regulations.



# 11 Technical data

|                             | FR34 AC/DC  | FR40 AC/DC                             |
|-----------------------------|---|--|
| Ref. no.:                   | 9600000537  | 9105330192                             |
| Connection voltage:         | 12/24 V===<br>100 – 240 V~, 50/60 Hz  |  |
| Power consumption:          | 4 A (12 V===)<br>2 A (24 V===)<br>1.0 – 0.4 A (100 – 240 V~)                  |  |
| Cooling capacity:           | +10 °C bis –10 °C<br>(+50 °F bis +14 °F)                                      | +10 °C to –10 °C<br>(+50 °F to +14 °F) |
| Category:                   | Category 1<br>(refrigerator with one or more fresh-food storage compartments) |  |
| Gross capacity:             | 32.5 l  | 40 l                                   |
| Usable capacity:            | 31.0 l  | 38 l                                   |
| Energy efficiency class:    | A++   | A++                                    |
| Energy consumption:         | 51 kWh/annum  |  |
| Climate class:              | N   |  |
| Ambient temperature:        | +16 °C to +32 °C  |  |
| Noise emission:             | 49 dB(A)  |  |
| Refrigerant quantity:       | 45 g  | 42 g                                   |
| CO <sub>2</sub> equivalent: | 0.064 t   | 0.060 t                                |
| Dimensions (L x W x H):     | 584 x 365 x 407 mm  | 584 x 365 x 446 mm                     |
| Weight:                     | 11.4 kg   | 11.5 kg                                |



## NOTE

If the ambient temperature is above +32 °C (+90 °F), the minimum temperature cannot be attained.

Test/certificates:



The refrigerant circuit contains R134a.

Contains fluorinated greenhouse gases

Hermetically sealed equipment

**Bitte lesen Sie diese Anleitung vor der Inbetriebnahme sorgfältig durch und bewahren Sie sie auf. Geben Sie sie im Falle einer Weitergabe des Kühlgerätes an den Nutzer weiter.**

Der Hersteller haftet nicht für Schäden, die durch **nicht bestimmungsgemäßen Gebrauch** oder **falsche Bedienung** verursacht werden.

## Inhaltsverzeichnis

|           |  |    |
|-----------|--|----|
| <b>1</b>  | <b>Erklärung der Symbole</b> .....           | 20 |
| <b>2</b>  | <b>Sicherheitshinweise</b> .....             | 20 |
| 2.1       | Allgemeine Sicherheit .....                  | 20 |
| 2.2       | Sicherheit beim Betrieb des Kühlgerätes..... | 22 |
| <b>3</b>  | <b>Lieferumfang</b> .....                    | 23 |
| <b>4</b>  | <b>Bestimmungsgemäßer Gebrauch</b> .....     | 23 |
| <b>5</b>  | <b>Funktionsbeschreibung</b> .....           | 23 |
| 5.1       | Funktionsumfang .....                        | 24 |
| 5.2       | Bedien- und Anzeigeelemente.....             | 24 |
| <b>6</b>  | <b>Bedienung</b> .....                       | 25 |
| 6.1       | Vor dem ersten Gebrauch .....                | 25 |
| 6.2       | Tipps zum Energiesparen .....                | 26 |
| 6.3       | Kühlgerät anschließen .....                  | 26 |
| 6.4       | Batteriewächter verwenden .....              | 26 |
| 6.5       | Kühlgerät benutzen .....                     | 28 |
| 6.6       | Kühlgerätdeckel verriegeln .....             | 29 |
| 6.7       | Temperatur einstellen .....                  | 29 |
| 6.8       | Kühlgerät ausschalten .....                  | 29 |
| 6.9       | Kühlgerät abtauen .....                      | 30 |
| 6.10      | Sicherung austauschen.....                   | 30 |
| <b>7</b>  | <b>Reinigung und Pflege</b> .....            | 31 |
| <b>8</b>  | <b>Gewährleistung</b> .....                  | 31 |
| <b>9</b>  | <b>Störungsbeseitigung</b> .....             | 32 |
| <b>10</b> | <b>Entsorgung</b> .....                      | 32 |
| <b>11</b> | <b>Technische Daten</b> .....                | 33 |

# 1 Erklärung der Symbole

**WARNUNG!**

**Sicherheitshinweis:** Nichtbeachtung kann zu Tod oder schwerer Verletzung führen.

**VORSICHT!**

**Sicherheitshinweis:** Nichtbeachtung kann zu Verletzungen führen.

**ACHTUNG!**

Nichtbeachtung kann zu Materialschäden führen und die Funktion des Produktes beeinträchtigen.

**HINWEIS**

Ergänzende Informationen zur Bedienung des Produktes.

## 2 Sicherheitshinweise

### 2.1 Allgemeine Sicherheit

**WARNUNG!**

- Wenn das Kühlgerät sichtbare Beschädigungen aufweist, dürfen Sie es nicht in Betrieb nehmen.
- Wenn das Anschlusskabel dieses Kühlgerätes beschädigt wird, muss es durch den Hersteller, seinen Kundendienst oder eine ähnlich qualifizierte Person ersetzt werden, um Gefährdungen zu vermeiden.
- Reparaturen an diesem Kühlgerät dürfen nur von Fachkräften durchgeführt werden. Durch unsachgemäße Reparaturen können erhebliche Gefahren entstehen.
- Dieses Kühlgerät kann von Kindern ab 8 Jahren und darüber sowie von Personen mit verringerten physischen, sensorischen oder mentalen Fähigkeiten oder Mangel an Erfahrung und Wissen benutzt werden, wenn sie beaufsichtigt oder bezüglich des sicheren Gebrauchs des Kühlgerätes unterwiesen wurden und die daraus resultierenden Gefahren verstehen.

- Reinigung und Benutzer-Wartung dürfen nicht von Kindern ohne Beaufsichtigung durchgeführt werden.
- Kinder dürfen nicht mit dem Kühlgerät spielen.
- Kinder sollten beaufsichtigt werden, um sicherzustellen, dass sie nicht mit dem Kühlgerät spielen.
- Verwahren und benutzen Sie das Kühlgerät außerhalb der Reichweite von Kindern unter 8 Jahren.
- Lagern Sie keine explosionsfähigen Stoffe wie z. B. Sprühdosen mit brennbarem Treibgas im Kühlgerät.

**VORSICHT!**

- Trennen Sie das Kühlgerät von der Stromversorgung
  - vor jeder Reinigung und Pflege
  - nach jedem Gebrauch
- Lebensmittel dürfen nur in Originalverpackungen oder geeigneten Behältern eingelagert werden.

**ACHTUNG!**

- Vergleichen Sie die Spannungsangabe auf dem Typenschild mit der vorhandenen Energieversorgung.
- Schließen Sie das Kühlgerät nur wie folgt an:
  - mit dem Gleichstrom-Anschlusskabel an die Gleichstrom-Bordsteckdose (z. B. Zigarettenanzünder) im Fahrzeug
  - oder mit dem Wechselstrom-Anschlusskabel an das Wechselstromnetz
- Ziehen Sie den Stecker nie am Anschlusskabel aus der Steckdose.
- Wenn das Kühlgerät an der Gleichstrom-Steckdose angeschlossen ist: Klemmen Sie Ihr Kühlgerät und andere Verbraucher von der Fahrzeugbatterie ab, bevor Sie ein Schnellladegerät anschließen.
- Wenn das Kühlgerät an der Gleichstrom-Steckdose angeschlossen ist: Trennen Sie die Verbindung oder schalten Sie das Kühlgerät aus, wenn Sie den Motor ausschalten. Sonst kann die Fahrzeugbatterie entladen werden.
- Das Kühlgerät ist nicht geeignet für den Transport ätzender oder lösungsmittelhaltiger Stoffe.

- Dieses Kühlgerät enthält in der Isolierung brennbares Zyklopentan. Die Gase im Isolationsmaterial erfordern ein besonderes Entsorgungsverfahren. Führen Sie das Kühlgerät am Ende seiner Lebensdauer einer ordnungsgemäßen Entsorgung zu.

## 2.2 Sicherheit beim Betrieb des Kühlgerätes



### **VORSICHT!**

- Achten Sie vor der Inbetriebnahme darauf, dass Zuleitung und Stecker trocken sind.



### **ACHTUNG!**

- Benutzen Sie keine Elektrogeräte innerhalb des Kühlgerätes, außer wenn diese Elektrogeräte vom Hersteller dafür empfohlen werden.
- Stellen Sie das Kühlgerät nicht in der Nähe von offenen Flammen oder anderen Wärmequellen (Heizung, starke Sonneneinstrahlung, Gasöfen usw.) ab.
- **Überhitzungsgefahr!**  
Achten Sie stets darauf, dass beim Betrieb entstehende Wärme ausreichend abgeführt werden kann. Sorgen Sie dafür, dass das Kühlgerät in ausreichendem Abstand zu Wänden oder Gegenständen steht, sodass die Luft zirkulieren kann.
- Achten Sie darauf, dass die Lüftungsöffnungen nicht abgedeckt werden.
- Füllen Sie keine Flüssigkeiten oder Eis in den Innenbehälter.
- Tauchen Sie das Kühlgerät nie in Wasser.
- Schützen Sie das Kühlgerät und die Kabel vor Hitze und Nässe.

### 3 Lieferumfang

| Menge | Bezeichnung                 |
|-------|-----------------------------|
| 1     | Kompressor-Kühlbox          |
| 1     | Gleichstrom-Anschlusskabel  |
| 1     | Wechselstrom-Anschlusskabel |
| 1     | Bedienungsanleitung         |

### 4 Bestimmungsgemäßer Gebrauch

Die Kompressor-Kühlbox eignet sich zum Kühlen und Gefrieren von Lebensmitteln. Die Kompressor-Kühlbox ist auch für den Betrieb auf Booten geeignet.

Die Kompressor-Kühlbox ist für den Betrieb an der Gleichstromsteckdose eines Fahrzeugs, Boots oder Wohnmobils oder an einer Wechselstromsteckdose ausgelegt.



#### **VORSICHT! Gesundheitsgefahr!**

Prüfen Sie bitte, ob die Kühlleistung des Kühlgerätes den Anforderungen der Lebensmittel oder Medikamente entspricht, die Sie kühlen wollen.

### 5 Funktionsbeschreibung

Das Kühlgerät kann Waren abkühlen und kühl halten sowie gefrieren.

Die Kühlung erfolgt durch einen wartungsfreien Kühlkreislauf mit Kompressor. Die extrastarke Isolierung und der leistungsstarke Kompressor gewährleisten eine besonders schnelle Kühlung.

Das Kühlgerät ist für den mobilen Einsatz geeignet.

Beim Einsatz auf Booten kann das Kühlgerät einer Dauerkrängung von 30° ausgesetzt werden.

## 5.1 Funktionsumfang

- Dreistufiger Batteriewächter zum Schutz der Fahrzeugbatterie
- Display mit Temperaturanzeige, wird bei niedriger Batteriespannung automatisch abgeschaltet
- Temperatureinstellung: Mit zwei Tasten in 1 °C-(2 °F)-Schritten

## 5.2 Bedien- und Anzeigeelemente

Verriegelung des Deckels: Abb. **1**, Seite 2

Bedienfeld (Abb. **2**, Seite 2)

| Pos. | Bezeichnung          | Erklärung   |
|------|----------------------|---|
| 1    | ON<br>OFF            | Schaltet das Kühlgerät ein oder aus, wenn die Taste ein bis zwei Sekunden gedrückt wird                                     |
| 2    | POWER                | Betriebsanzeige   |
|      | LED leuchtet grün:   | Kompressor ist an   |
|      | LED leuchtet orange: | Kompressor ist aus  |
|      | LED blinkt orange:   | Display wurde automatisch abgeschaltet, weil die Batteriespannung niedrig ist   |
| 3    | ERROR                | LED blinkt rot: eingeschaltetes Kühlgerät ist nicht betriebsbereit  |
| 4    | SET                  | Wählt den Eingabemodus<br>– Temperatureinstellung<br>– Angabe von °Celsius oder °Fahrenheit<br>– Batteriewächter einstellen |
| 5    | –                    | Display, zeigt die Werte an   |
| 6    | „+“                  | Einmal antippen erhöht den gewählten Eingabewert  |
| 7    | „–“                  | Einmal antippen verringert den gewählten Eingabewert  |



**Anschlüsse (Abb. 3, Seite 2)**

| Pos. | Bezeichnung                   |
|------|-------------------------------|
| 1    | Wechselstrom-Buchse           |
| 2    | Sicherungshalter              |
| 3    | Abdeckung Wechselstrom-Buchse |
| 4    | Abdeckung Gleichstrom-Buchse  |
| 5    | Gleichstrom-Buchse            |

## 6 Bedienung

### 6.1 Vor dem ersten Gebrauch

**HINWEIS**

Bevor Sie das neue Kühlgerät in Betrieb nehmen, sollten Sie es aus hygienischen Gründen innen und außen mit einem feuchten Tuch reinigen (siehe auch Kapitel „Reinigung und Pflege“ auf Seite 31).

#### Temperatureinheit wählen

Sie können zur Temperaturanzeige zwischen den Werten für °Celsius und °Fahrenheit wählen. Gehen Sie hierzu wie folgt vor:

- Schalten Sie das Kühlgerät ein.
  - Drücken Sie den Taster „SET“ zweimal.
  - Stellen Sie mit den Tastern „+“ bzw. „-“ die Temperatureinheit °Celsius oder °Fahrenheit ein.
- ✓ Das Display zeigt für einige Sekunden die eingestellte Temperatureinheit an. Das Display blinkt einige Male, bevor es zur Darstellung der aktuellen Temperatur zurückkehrt.

## 6.2 Tipps zum Energiesparen

- Wählen Sie einen gut belüfteten und vor Sonnenstrahlen geschützten Einsatzort.
- Lassen Sie warme Speisen erst abkühlen, bevor Sie sie im Kühlgerät kühl halten.
- Öffnen Sie das Kühlgerät nicht häufiger als nötig.
- Lassen Sie das Kühlgerät nicht länger offen als nötig.
- Tauen Sie das Kühlgerät ab, sobald sich eine Eisschicht gebildet hat.
- Vermeiden Sie eine unnötig tiefe Innentemperatur.

## 6.3 Kühlgerät anschließen

Das Kühlgerät kann mit Gleichstrom oder Wechselstrom betrieben werden.



### ***ACHTUNG! Beschädigungsgefahr!***

Klemmen Sie das Kühlgerät und andere Verbraucher von der Fahrzeugbatterie ab, bevor Sie die Fahrzeugbatterie mit einem Schnellladegerät aufladen. Überspannungen können die Elektronik der Geräte beschädigen.

Zur Sicherheit ist das Kühlgerät mit einem elektronischen Verpolungsschutz ausgestattet, der das Kühlgerät gegen Verpolung beim Batterieanschluss und gegen Kurzschluss schützt.

- Stecken Sie das Gleichstrom-Anschlusskabel in die Gleichstrom-Buchse und schließen Sie es an eine Gleichstromsteckdose an oder ...
- ... stecken Sie das Wechselstrom-Anschlusskabel in die Wechselstrom-Buchse und schließen Sie es an eine Wechselstromsteckdose an.
- Schließen Sie die Abdeckungen der nicht benutzten Buchsen, um eine versehentliche Berührung der Buchsen auszuschließen. Dies hindert zudem Staub, Wasser und Dreck daran, in die Buchse einzudringen.

## 6.4 Batteriewächter verwenden

Das Kühlgerät ist mit einem mehrstufigen Batteriewächter ausgestattet, der Ihre Fahrzeugbatterie beim Anschluss an das Gleichstromnetz vor zu tiefer Entladung schützt.

Wird das Kühlgerät bei ausgeschalteter Zündung im Fahrzeug betrieben, schaltet sich das Kühlgerät selbstständig ab, sobald die Versorgungsspannung unter einen einstellbaren Wert abfällt. Das Kühlgerät schaltet sich wieder ein, sobald durch Aufladung der Fahrzeugbatterie die Wiedereinschaltspannung erreicht wird.



### **ACHTUNG! Beschädigungsgefahr!**

Die Fahrzeugbatterie besitzt beim Abschalten durch den Batteriewächter nicht mehr ihre volle Ladekapazität. Vermeiden Sie mehrmaliges Starten oder den Betrieb von Stromverbrauchern ohne längere Aufladephasen. Sorgen Sie dafür, dass die Fahrzeugbatterie wieder aufgeladen wird.

Im Modus „HIGH“ spricht der Batteriewächter schneller an als in den Stufen „LOW“ und „MED“ (siehe folgende Tabelle).

| Batteriewächter-Modus            | LOW    | MED    | HIGH   |
|----------------------------------|--------|--------|--------|
| Ausschaltspannung bei 12 V       | 10,1 V | 11,4 V | 11,8 V |
| Wiedereinschaltspannung bei 12 V | 11,1 V | 12,2 V | 12,6 V |
| Ausschaltspannung bei 24 V       | 21,5 V | 24,1 V | 24,6 V |
| Wiedereinschaltspannung bei 24 V | 23,0 V | 25,3 V | 26,2 V |

Um den Modus für den Batteriewächter zu ändern gehen Sie wie folgt vor:

- Schalten Sie das Kühlgerät ein.
- Drücken Sie den Taster „SET“ dreimal.
- Stellen Sie mit den Tastern „+“ bzw. „-“ den Modus für den Batteriewächter ein.
- ✓ Das Display zeigt für einige Sekunden den eingestellten Modus an. Das Display blinkt einige Male, bevor es zur Darstellung der aktuellen Temperatur zurückkehrt.



### **HINWEIS**

Wenn das Kühlgerät von der Fahrzeugbatterie versorgt wird, wählen Sie den Batteriewächter-Modus „HIGH“. Wenn das Kühlgerät an eine Versorgungsbatterie angeschlossen ist, reicht der Batteriewächter-Modus „LOW“ aus.

## 6.5 Kühlgerät benutzen



### **ACHTUNG! Überhitzungsgefahr!**

Achten Sie stets darauf, dass beim Betrieb entstehende Wärme ausreichend abgeführt werden kann. Achten Sie darauf, dass die Lüftungsschlitze nicht abgedeckt werden. Sorgen Sie dafür, dass das Kühlgerät in ausreichendem Abstand zu Wänden oder Gegenständen steht, sodass die Luft zirkulieren kann.

- Stellen Sie das Kühlgerät auf eine feste Unterlage.



### **HINWEIS**

Stellen Sie das Kühlgerät wie dargestellt auf (Abb. **1**, Seite 2). Wird das Kühlgerät in einer anderen Position betrieben, so kann es Schaden nehmen.

- Schließen Sie das Kühlgerät an, siehe Kapitel „Kühlgerät anschließen“ auf Seite 26.



### **ACHTUNG! Gefahr durch zu niedrige Temperatur!**

Achten Sie darauf, dass sich nur Gegenstände bzw. Waren im Kühlgerät befinden, die auf die gewählte Temperatur gekühlt werden dürfen.

- Drücken Sie den Taster „ON/OFF“ für ein bis zwei Sekunden.
- ✓ Die LED „POWER“ leuchtet.
- ✓ Das Display schaltet sich ein und zeigt die aktuelle Kühltemperatur an.



### **HINWEIS**

Die angezeigte Temperatur bezieht sich auf die Mitte des Innenraums. Die Temperatur an anderen Stellen kann davon abweichen.

- ✓ Das Kühlgerät startet mit dem Kühlen des Innenraums.



### **HINWEIS**

Beim Betrieb an einer Batterie schaltet das Display automatisch ab, wenn die Batteriespannung niedrig ist. Die LED „POWER“ blinkt orange.

## 6.6 Kühlgerätdeckel verriegeln

- Heben Sie die Verriegelung (Abb. **1** 1, Seite 2) und schließen Sie den Deckel.
- Lassen Sie die Verriegelung los.
- ✓ Die Verriegelung rastet hörbar ein und verriegelt das Kühlgerät.

## 6.7 Temperatur einstellen

- Drücken Sie den Taster „SET“ einmal.
- Stellen Sie mit den Tastern „+“ bzw. „-“ die Kühltemperatur ein.
- ✓ Das Display zeigt für einige Sekunden die eingestellte gewünschte Kühltemperatur an. Das Display blinkt einige Male, bevor es zur Darstellung der aktuellen Temperatur zurückkehrt.

## 6.8 Kühlgerät ausschalten

- Räumen Sie das Kühlgerät leer.
- Schalten Sie das Kühlgerät aus.
- Ziehen Sie das Anschlusskabel ab.

Wenn Sie das Kühlgerät für längere Zeit nicht benutzen wollen:

- Lassen Sie den Deckel leicht geöffnet. So verhindern Sie, dass sich Gerüche bilden.

## 6.9 Kühlgerät abtauen

Luftfeuchtigkeit kann sich am Verdampfer oder im Innenraum des Kühlgerätes als Reif niederschlagen, der die Kühlleistung verringert. Tauen Sie das Kühlgerät rechtzeitig ab.



### ***ACHTUNG! Beschädigungsgefahr!***

Verwenden Sie nie harte oder spitze Werkzeuge zum Entfernen von Eisschichten oder zum Lösen festgefrorener Gegenstände.

Gehen Sie wie folgt vor, um das Kühlgerät abzutauen:

- Nehmen Sie das Kühlgut heraus.
- Lagern Sie es ggf. in einem anderen Kühlgerät, damit es kalt bleibt.
- Schalten Sie das Kühlgerät ab.
- Lassen Sie den Deckel offen.
- Wischen Sie das Tauwasser auf.

## 6.10 Sicherung austauschen

- Tauschen Sie die Sicherung (8 A 32 V) wie dargestellt aus (Abb. **4**, Seite 3).

## 7 Reinigung und Pflege

**WARNUNG!**

Trennen Sie vor jeder Reinigung und Pflege das Kühlgerät von der Stromversorgung.

**ACHTUNG! Beschädigungsgefahr!**

- Reinigen Sie das Kühlgerät niemals unter fließendem Wasser oder gar im Spülwasser.
- Verwenden Sie zur Reinigung keine scharfen Reinigungsmittel oder harten Gegenstände, da diese das Kühlgerät beschädigen können.

- Reinigen Sie das Kühlgerät innen und außen gelegentlich mit einem feuchten Tuch.
- Stellen Sie sicher, dass die Be- und Entlüftungsöffnungen des Kühlgerätes frei von Staub und Verunreinigungen sind, damit die beim Betrieb entstehende Wärme abgeführt werden kann und das Kühlgerät keinen Schaden nimmt.

## 8 Gewährleistung

Es gilt die gesetzliche Gewährleistungsfrist. Sollte das Produkt defekt sein, wenden Sie sich bitte an die Niederlassung des Herstellers in Ihrem Land (Adressen siehe Rückseite der Anleitung) oder an Ihren Fachhändler.

Zur Reparatur- bzw. Gewährleistungsbearbeitung müssen Sie folgende Unterlagen mitschicken:

- eine Kopie der Rechnung mit Kaufdatum,
- einen Reklamationsgrund oder eine Fehlerbeschreibung.

## 9 Störungsbeseitigung

| Störung   | Mögliche Ursache   | Lösungsvorschlag   |
|---|--|--|
| Das Kühlgerät funktioniert nicht, LED „POWER“ leuchtet nicht.   | An der Gleichstromsteckdose im Fahrzeug liegt keine Spannung an.   | In den meisten Fahrzeugen muss der Zündschalter eingeschaltet sein, damit die Gleichstromsteckdose Spannung hat.   |
| Das Kühlgerät kühlt nicht (Stecker ist eingesteckt, LED „POWER“ leuchtet).  | Kompressor defekt.   | Die Reparatur kann nur von einem zugelassenen Kundendienstbetrieb durchgeführt werden.   |
| Das Kühlgerät kühlt nicht (Stecker ist eingesteckt, LED „POWER“ blinkt orange, Display ist ausgeschaltet).                                    | Spannung der Fahrzeugbatterie nicht ausreichend.   | Prüfen Sie die Fahrzeugbatterie und laden Sie sie gegebenenfalls.  |
| Beim Betrieb an der Gleichstromsteckdose: Die Zündung ist eingeschaltet, das Kühlgerät funktioniert nicht und die LED „POWER“ leuchtet nicht. | Die Fassung der Gleichstromsteckdose ist verschmutzt. Das hat einen schlechten elektrischen Kontakt zur Folge. | Wenn der Stecker in der Gleichstromsteckdose sehr warm wird, muss entweder die Fassung gereinigt werden, oder der Stecker ist möglicherweise nicht richtig zusammengebaut. |
|   | Die Sicherung des Gleichstromsteckers ist durchgebrannt.   | Tauschen Sie die Sicherung (8 A) des Gleichstromsteckers aus, siehe Kapitel „Sicherung austauschen“ auf Seite 30   |
|   | Die Fahrzeug-Sicherung ist durchgebrannt.  | Tauschen Sie die Fahrzeug-Sicherung der Gleichstromsteckdose (üblicherweise 15 A) aus (Beachten Sie dazu die Bedienungsanleitung zu Ihrem KFZ).                            |
| Das Display zeigt eine Fehlermeldung (z. B. „Err1“) an und das Kühlgerät kühlt nicht.   | Eine interne Betriebsstörung hat das Kühlgerät ausgeschaltet.  | Die Reparatur kann nur von einem zugelassenen Kundendienstbetrieb durchgeführt werden.   |

## 10 Entsorgung

- Geben Sie das Verpackungsmaterial möglichst in den entsprechenden Recycling-Müll.



Wenn Sie das Produkt endgültig außer Betrieb nehmen, informieren Sie sich bitte beim nächsten Recyclingcenter oder bei Ihrem Fachhändler über die zutreffenden Entsorgungsvorschriften.



# 11 Technische Daten

|                              | FR34 AC/DC  | FR40 AC/DC                               |
|------------------------------|---|--|
| Art.-Nr.:                    | 9600000537  | 9105330192                               |
| Anschlussspannung:           | 12/24 V===<br>100 – 240 V~, 50/60 Hz  |  |
| Leistungsaufnahme:           | 4 A (12 V===)<br>2 A (24 V===)<br>1,0 – 0,4 A (100 – 240 V~)                                  |  |
| Kühlleistung:                | +10 °C bis –10 °C<br>(+50 °F bis +14 °F)  | +10 °C bis –10 °C<br>(+50 °F bis +14 °F) |
| Kategorie:                   | Kategorie 1<br>(Kühlschrank mit einem oder mehreren<br>Lagerfächern für frische Lebensmittel) |  |
| Bruttoinhalt:                | 32,5 l  | 40 l                                     |
| Nutzzinhalt:                 | 31,0 l  | 38 l                                     |
| Energieeffizienzklasse:      | A++   | A++                                      |
| Energieverbrauch:            | 51 kWh/annum  |  |
| Klimaklasse:                 | N   |  |
| Umgebungstemperatur:         | +16 °C bis +32 °C   |  |
| Schallemissionen:            | 49 dB(A)  |  |
| Kühlmittelmenge:             | 45 g  | 42 g                                     |
| CO <sub>2</sub> -Äquivalent: | 0,064 t   | 0,060 t                                  |
| Abmessungen (L x B x H):     | 584 x 365 x 407 mm  | 584 x 365 x 446 mm                       |
| Gewicht:                     | 11,4 kg   | 11,5 kg                                  |



## HINWEIS

Ab Umgebungstemperaturen von über +32 °C (+90 °F) kann die minimale Temperatur nicht mehr erreicht werden.

Prüfung/Zertifikate:



Der Kühlkreis enthält R134a.

Enthält fluorierte Treibhausgase

Hermetisch geschlossene Einrichtung

**Veillez lire ce manuel avec attention avant de mettre l'appareil en service. Conservez ensuite ce manuel. En cas de passer de l'appareil, veuillez le transmettre au nouvel acquéreur.**

Le fabricant décline toute responsabilité en cas de dommages provoqués par une **utilisation non-conforme de l'appareil** ou **par des erreurs de manipulation**.

## Table des matières

|           |  |    |
|-----------|--|----|
| <b>1</b>  | <b>Explication des symboles</b> . . . . .                                  | 36 |
| <b>2</b>  | <b>Consignes de sécurité</b> . . . . .                                     | 36 |
| 2.1       | Sécurité générale . . . . .  | 36 |
| 2.2       | Consignes de sécurité concernant le fonctionnement de l'appareil . . . . . | 38 |
| <b>3</b>  | <b>Contenu de la livraison</b> . . . . .                                   | 38 |
| <b>4</b>  | <b>Usage conforme</b> . . . . .  | 39 |
| <b>5</b>  | <b>Description du fonctionnement</b> . . . . .                             | 39 |
| 5.1       | Fonctions de l'appareil . . . . .  | 40 |
| 5.2       | Commandes et affichage . . . . .   | 40 |
| <b>6</b>  | <b>Utilisation</b> . . . . .   | 41 |
| 6.1       | Avant la première utilisation . . . . .                                    | 41 |
| 6.2       | Conseils pour économiser de l'énergie . . . . .                            | 42 |
| 6.3       | Raccordement de la glacière . . . . .                                      | 42 |
| 6.4       | Utilisation du protecteur de batterie . . . . .                            | 42 |
| 6.5       | Utilisation de la glacière . . . . .                                       | 44 |
| 6.6       | verrouiller le couvercle de l'appareil de réfrigération . . . . .          | 45 |
| 6.7       | Réglage de la température . . . . .  | 45 |
| 6.8       | Mise hors-service de la glacière . . . . .                                 | 45 |
| 6.9       | Dégivrage de la glacière . . . . .   | 46 |
| 6.10      | Remplacement du fusible . . . . .  | 46 |
| <b>7</b>  | <b>Nettoyage et entretien</b> . . . . .                                    | 47 |
| <b>8</b>  | <b>Garantie</b> . . . . .  | 47 |
| <b>9</b>  | <b>Dépannage</b> . . . . .   | 48 |
| <b>10</b> | <b>Retraitement</b> . . . . .  | 48 |
| <b>11</b> | <b>Caractéristiques techniques</b> . . . . .                               | 49 |

# 1 Explication des symboles

**AVERTISSEMENT !**

**Consigne de sécurité :** le non-respect de ces consignes peut entraîner la mort ou de graves blessures.

**ATTENTION !**

**Consigne de sécurité :** le non-respect de ces consignes peut entraîner des blessures.

**AVIS !**

Le non-respect de ces consignes peut entraîner des dommages matériels et des dysfonctionnements du produit.

**REMARQUE**

Informations complémentaires sur l'utilisation du produit.

## 2 Consignes de sécurité

### 2.1 Sécurité générale

**AVERTISSEMENT !**

- Si l'appareil présente des dégâts visibles, vous ne devez pas le mettre en service.
- Si le câble de raccordement de l'appareil est endommagé, il doit être remplacé par le fabricant, son service après-vente ou une personne de qualification similaire, afin d'éviter tout danger.
- Seul un personnel qualifié est habilité à effectuer des réparations sur l'appareil. Toute réparation mal effectuée risque d'entraîner de graves dangers.
- Les enfants âgés de 8 ans et plus ainsi que les personnes ayant des déficiences physiques, sensorielles ou mentales ou un manque d'expérience ou de connaissances peuvent utiliser ce produit à condition d'être sous surveillance ou d'avoir reçu des instructions concernant l'utilisation de l'appareil en toute sécurité et de comprendre les dangers qui en résultent.

- Le nettoyage et la maintenance ne doivent pas être effectués par des enfants sans surveillance.
- Les enfants ne doivent pas jouer avec cet appareil.
- Les enfants doivent être surveillés pour s'assurer qu'ils ne jouent pas avec l'appareil.
- Placez et utilisez l'appareil hors de portée des enfants de moins de 8 ans.
- Ne stockez aucune substance explosive comme p. ex. des aérosols contenant des agents propulseurs dans l'appareil.

**ATTENTION !**

- Débranchez l'appareil du secteur
  - avant tout nettoyage et entretien
  - après chaque utilisation
- Les aliments ne peuvent être conservés que dans leurs emballages originaux ou dans des récipients appropriés.

**AVIS !**

- Comparez la tension indiquée sur la plaque signalétique avec l'alimentation électrique dont vous disposez.
- Branchez l'appareil uniquement comme indiqué ci-dessous :
  - avec le câble de raccordement CC sur une prise CC du véhicule (par ex. un allume-cigare)
  - ou avec le câble de raccordement CA au secteur à courant alternatif
- Ne tirez jamais sur le câble de raccordement pour sortir la fiche de la prise.
- Si la glacière est raccordée à la prise CC : débranchez de la batterie la glacière et les autres consommateurs d'énergie avant de raccorder un chargeur rapide.
- Si la glacière est raccordée à la prise CC : débranchez ou éteignez la glacière lorsque vous éteignez le moteur. Dans le cas contraire, il se pourrait que la batterie se décharge.
- N'utilisez pas la glacière pour le transport de produits corrosifs ou de solvants.
- Cette glacière contient du cyclopentane inflammable dans son isolation. Les gaz contenus dans le matériau d'isolation exigent une procédure de retraitement particulière. Une fois que vous ne l'utilisez plus, recyclez l'appareil de manière conforme.

## 2.2 Consignes de sécurité concernant le fonctionnement de l'appareil



### ATTENTION !

- Avant de mettre l'appareil en service, assurez-vous que la ligne d'alimentation électrique et la fiche sont sèches.



### AVIS !

- N'utilisez aucun appareil électrique dans la glacière, sauf si ces appareils sont recommandés par le fabricant pour cet usage.
- Ne placez pas l'appareil près de flammes ou d'autres sources de chaleur (chauffage, rayons solaires, réchauds à gaz, etc.).
- **Danger de surchauffe !**  
Veillez toujours à ce que la chaleur produite lors du fonctionnement soit suffisamment dissipée. Veillez à ce que l'appareil se trouve à une distance suffisante des murs ou des objets, de sorte que l'air puisse circuler.
- Assurez-vous que les fentes d'aération ne sont pas recouvertes.
- Ne pas remplir le bac intérieur de substances liquides ou de glace.
- Ne plongez jamais l'appareil dans l'eau.
- Tenez l'appareil et les câbles à l'abri de la chaleur et de l'humidité.

## 3 Contenu de la livraison

| Quantité | Désignation                                 |
|----------|---|
| 1        | Glacière à compression                      |
| 1        | Câble de raccordement au courant continu    |
| 1        | Câble de raccordement en courant alternatif |
| 1        | Manuel d'utilisation                        |

## 4 Usage conforme

La glacière à compresseur est conçue pour la réfrigération et la congélation d'aliments. La glacière à compresseur peut également être utilisée sur des bateaux.

La glacière à compresseur est conçue pour fonctionner sur une prise de courant continu d'une voiture, d'un bateau ou d'un camping-car ou sur une prise de courant alternatif.



### **ATTENTION ! Risque pour la santé !**

Veillez vérifier si la puissance frigorifique de l'appareil correspond à la température de conservation recommandée pour les aliments ou les médicaments que vous souhaitez refroidir.

## 5 Description du fonctionnement

La glacière permet de réfrigérer, de tenir au frais ou de congeler des produits.

La réfrigération est assurée par un circuit de refroidissement à compresseur qui fonctionne ne nécessite aucune maintenance. Sa puissante isolation son compresseur performant garantissent un refroidissement particulièrement rapide.

La glacière convient pour une utilisation mobile.

En cas d'utilisation sur bateaux, la glacière peut supporter un angle de gîte permanent de 30°.

## 5.1 Fonctions de l'appareil

- Protecteur de batterie à trois niveaux pour protéger la batterie du véhicule
- Ecran avec affichage de la température, s'éteint automatiquement lorsque la tension de la batterie est faible
- Réglage de la température: avec deux touches, par pas de 1 °C (2 °F)

## 5.2 Commandes et affichage

Verrouillage du couvercle : fig. **1** 1, page 2

Panneau de commande (fig. **2**, page 2)

| Pos. | Désignation | Signification   |
|------|-------------|---|
| 1    | ON<br>OFF   | Permet d'allumer ou d'éteindre la glacière sur une pression d'une à deux seconde sur la touche  |
| 2    | POWER       | Témoin lumineux de fonctionnement<br><hr/> La DEL s'allume en vert : le compresseur est en marche<br><hr/> La DEL s'allume en orange : le compresseur est arrêté<br><hr/> La DEL clignote en orange : l'écran a été automatiquement éteint parce que la tension de la batterie est faible |
| 3    | ERROR       | La DEL clignote en rouge : l'appareil est allumé mais n'est pas prêt à fonctionner  |
| 4    | SET         | Permet de sélectionner le mode de saisie<br>– Réglage de la température<br>– Indication de degrés Celsius ou Fahrenheit<br>– Réglage du protecteur de batterie  |
| 5    | –           | Ecran, affiche les valeurs  |
| 6    | « + »       | Une pression sur cette touche augmente la valeur de saisie sélectionnée   |
| 7    | « – »       | Une pression sur cette touche diminue la valeur de saisie sélectionnée  |



**Raccordements (fig. 3, page 2) :**

| N° | Désignation  |
|----|--|
| 1  | Prise de raccordement de l'alimentation en tension alternative |
| 2  | Porte-fusible  |
| 3  | Couvercle douille de courant alternatif                        |
| 4  | Couvercle douille de courant continu                           |
| 5  | Prise de raccordement de l'alimentation en tension continue    |

## 6 Utilisation

### 6.1 Avant la première utilisation



#### **REMARQUE**

Avant de mettre en service votre nouvelle glacière, vous devez, pour des raisons d'hygiène, la nettoyer à l'intérieur et à l'extérieur à l'aide d'un tissu humide (voir aussi chapitre « Nettoyage et entretien », page 47).

#### **Sélection de l'unité de température**

Vous pouvez sélectionner l'affichage de la température en degrés Celsius ou Fahrenheit. Procédez comme suit :

- Allumez la glacière.
- Appuyez deux fois sur la touche « SET ».
- Sélectionnez l'unité de température (Celsius ou Fahrenheit) à l'aide des touches « + » ou « - ».
- ✓ L'écran affiche l'unité de température sélectionnée pendant quelques secondes. L'écran clignote plusieurs fois avant de revenir à l'affichage de la température actuelle.

## 6.2 Conseils pour économiser de l'énergie

- Choisissez un emplacement bien aéré et à l'abri du soleil.
- Laissez refroidir les aliments chauds avant de les déposer dans la glacière.
- Ne pas ouvrir la glacière plus souvent que nécessaire.
- Ne laissez pas la glacière ouverte plus longtemps que nécessaire.
- Dégivrez la glacière dès qu'une couche de glace s'est formée.
- Evitez une température intérieure inutilement basse.

## 6.3 Raccordement de la glacière

La glacière peut être alimentée en courant continu ou en courant alternatif.



### ***AVIS ! Risque d'endommagement !***

Débranchez la glacière et les autres consommateurs d'énergie de la batterie avant de recharger la batterie avec un chargeur rapide. Les surtensions peuvent endommager l'électronique des appareils.

Pour des raisons de sécurité, la glacière est équipée d'une protection électronique contre les inversions de polarité en cas de raccordement à une batterie et contre les court-circuits.

- Branchez le câble de raccordement au courant continu dans la douille de courant continu et raccordez-le à une prise de courant continu ou...
- ... branchez le câble de raccordement au courant alternatif dans la douille de courant alternatif et raccordez-le à une prise de courant alternatif.
- Fermez les couvercles des douilles non utilisées afin d'exclure tout contact involontaire des douilles. Cela empêche également la poussière, l'eau et la saleté de pénétrer dans la douille.

## 6.4 Utilisation du protecteur de batterie

La glacière est équipée d'un protecteur de batterie multiniveaux qui protège la batterie de votre véhicule, afin d'éviter une décharge profonde lorsqu'elle est raccordée au réseau en courant continu.

Si la glacière est mise en service alors que l'allumage du véhicule est éteint, elle s'éteint automatiquement dès que la tension d'alimentation descend en dessous d'une valeur réglable. La glacière se rallume dès que la batterie est rechargée et que la tension de rallumage est atteinte.



### **AVIS ! Risque d'endommagement !**

Au moment de l'arrêt par le protecteur de batterie, la batterie ne possède plus toute sa capacité de charge ; évitez les démarrages répétés ou la mise en marche de consommateurs d'énergie, tant que la batterie n'a pas été rechargée. Veillez à recharger la batterie.

En mode « HIGH », le protecteur de batterie se met en marche plus rapidement qu'en mode « LOW » ou « MED » (voir tableau suivant).

| Mode protecteur de batterie    | LOW    | MED    | HIGH   |
|--------------------------------|--------|--------|--------|
| Tension d'arrêt pour 12 V      | 10,1 V | 11,4 V | 11,8 V |
| Tension de rallumage pour 12 V | 11,1 V | 12,2 V | 12,6 V |
| Tension d'arrêt pour 24 V      | 21,5 V | 24,1 V | 24,6 V |
| Tension de rallumage pour 24 V | 23,0 V | 25,3 V | 26,2 V |

Pour modifier le mode du protecteur de batterie, procédez comme suit :

- Allumez la glacière.
- Appuyez trois fois sur la touche « SET ».
- Sélectionnez le mode du protecteur de batterie à l'aide des touches « + » ou « - ».
- ✓ L'écran affiche le mode sélectionné pendant quelques secondes. L'écran clignote plusieurs fois avant de revenir à l'affichage de la température



### **REMARQUE**

Lorsque la glacière est alimentée par la batterie de démarrage, réglez le protecteur de batterie sur le mode « HIGH ». Lorsque la glacière est raccordée à une batterie d'alimentation, le mode « LOW » suffit.

## 6.5 Utilisation de la glacière



### **AVIS ! Danger de surchauffe !**

Veillez toujours à ce que la chaleur produite lors du fonctionnement puisse se dissiper suffisamment. Assurez-vous que les fentes d'aération ne sont pas recouvertes. Veillez à ce que l'appareil se trouve à distance suffisante des murs ou des objets, de sorte que l'air puisse circuler.

- Placez la glacière sur une surface stable.  
Veillez à ce que les fentes d'aération ne soient pas recouvertes, afin que l'air chaud puisse bien s'évacuer.



### **REMARQUE**

Montez la glacière comme indiqué sur l'illustration (fig. 4, page 3). Si la glacière est utilisée dans une autre position, elle risque d'être endommagée.

- Raccordez la glacière (voir chapitre « Raccordement de la glacière », page 42).



### **AVIS ! Risque de températures trop basses !**

Veillez à ne déposer dans la glacière que des objets ou des aliments qui peuvent être réfrigérés à la température sélectionnée.

- Appuyez pendant une à deux secondes sur la touche « ON/OFF ».
- ✓ La DEL « POWER » s'allume.
- ✓ L'écran s'allume et indique la température actuelle.



### **REMARQUE**

La température affichée est celle du centre du compartiment intérieur. Il est possible que la température varie selon la position.

- ✓ La glacière commence par la réfrigération du compartiment intérieur.



### **REMARQUE**

En cas de fonctionnement sur batterie, l'écran s'éteint automatiquement lorsque la tension de la batterie est faible. La DEL « POWER » clignote en orange.

## 6.6 verrouiller le couvercle de l'appareil de réfrigération

- Soulevez le verrouillage (fig. **1** 1, page 2) et fermez le couvercle.
- Relâchez le verrouillage.
- ✓ Le verrouillage s'enclenche de manière audible et verrouille l'appareil de réfrigération.

## 6.7 Réglage de la température

- Appuyez une fois sur la touche « SET ».
- Sélectionnez la température de refroidissement à l'aide des touches « + » ou « - ».
- ✓ L'affichage indique pendant quelques secondes la température de refroidissement réglée. L'écran clignote plusieurs fois avant de revenir à l'affichage de la température actuelle.

## 6.8 Mise hors-service de la glacière

- Videz la glacière.
- Eteignez la glacière.
- Débranchez le câble de raccordement.

Lorsque vous ne voulez pas utiliser la glacière pendant une période prolongée :

- Laissez le couvercle légèrement ouvert. Vous évitez ainsi la formation d'odeurs.

## 6.9 Dégivrage de la glacière

L'humidité de l'air peut se condenser sous forme de givre au niveau de l'évaporateur ou à l'intérieur de la glacière et diminuer ainsi sa puissance frigorifique. Veillez donc à dégivrer l'appareil à temps.



### **AVIS ! Risque d'endommagement !**

N'utilisez jamais d'outils durs ou pointus pour enlever les couches de glace ou pour détacher des objets pris dans le givre.

Procédez de la manière suivante pour dégivrer la glacière :

- Retirez les aliments.
- Placez-les éventuellement dans un autre réfrigérateur, pour qu'ils restent froids.
- Eteignez l'appareil.
- Laissez le couvercle ouvert.
- Essuyez l'eau provenant du dégivrage.

## 6.10 Remplacement du fusible

- Remplacez le fusible (8 A 32 V) selon la description (fig. **4**, page 3).

## 7 Nettoyage et entretien



### **AVERTISSEMENT !**

Avant toute opération de nettoyage ou d'entretien de l'appareil, veillez à le mettre hors secteur.



### **AVIS ! Risque d'endommagement !**

- Ne nettoyez jamais la glacière à l'eau courante et ne la plongez pas non plus dans l'eau.
- N'utilisez pour le nettoyage ni produits abrasifs ni objets durs qui pourraient endommager la glacière.

- Nettoyez de temps à autre l'appareil à l'intérieur et à l'extérieur avec un chiffon humide.
- Assurez-vous que les ouvertures d'aération et de ventilation de l'appareil ne sont pas encombrées de saletés ou de poussières, pour que la chaleur générée par le fonctionnement soit évacuée et que l'appareil ne soit pas endommagé.

## 8 Garantie

Le délai légal de garantie s'applique. Si le produit s'avérait défectueux, veuillez vous adresser à la filiale du fabricant située dans votre pays (voir adresses au verso du présent manuel) ou à votre revendeur spécialisé.

Veuillez y joindre les documents suivants pour la gestion des réparations et de la garantie :

- une copie de la facture avec la date d'achat,
- le motif de la réclamation ou une description du dysfonctionnement.

## 9 Dépannage

| Dysfonctionnement   | Cause éventuelle   | Solution proposée  |
|---|--|--|
| L'appareil de réfrigération ne fonctionne pas, la DEL « POWER » n'est pas allumée.  | La prise de courant continu de votre véhicule n'est pas sous tension.      | Dans la plupart des véhicules, le contact doit être mis pour que la prise de courant continu soit sous tension.  |
| L'appareil ne réfrigère pas (le connecteur est branché, la DEL « POWER » est allumée).  | Compresseur défectueux.  | La réparation peut être effectuée uniquement par un service après-vente agréé.   |
| L'appareil ne réfrigère pas (le connecteur est branché, la DEL « POWER » clignote en orange, l'écran est éteint).   | La tension de la batterie est insuffisante.                                | Contrôlez la batterie et chargez-la si nécessaire.   |
| En cas d'utilisation sur la prise de courant continu : L'allumage est en marche, l'appareil de réfrigération ne fonctionne pas et la LED « POWER » n'est pas allumée. | La prise de courant est sale. Ceci entraîne un mauvais contact électrique. | Si la fiche devient très chaude lorsqu'elle est branchée dans la prise de l'allumecigare, c'est que la prise de l'allumecigare doit être nettoyée ou que la fiche n'est pas bien montée. |
|   | Le fusible de sécurité du câble de raccordement a grillé.                  | Remplacez le fusible (8 A) du connecteur de courant continu (voir chapitre « Remplacement du fusible », page 46)   |
|   | Le fusible du véhicule correspondant à l'allumecigare est grillé.          | Remplacez le fusible du véhicule de la prise de courant continu (normalement 15 A) (veuillez respecter les instructions du manuel d'entretien de votre véhicule).                        |
| Un message d'erreur s'affiche (p. ex. « Err1 ») et l'appareil ne réfrigère pas.   | Un dysfonctionnement interne a arrêté l'appareil.                          | La réparation peut être effectuée uniquement par un service après-vente agréé.   |

## 10 Retraitement

- Jetez les emballages dans les conteneurs de déchets recyclables prévus à cet effet.



Lorsque vous mettez votre produit définitivement hors service, informez-vous auprès du centre de recyclage le plus proche ou auprès de votre revendeur spécialisé sur les prescriptions relatives au retraitement des déchets.



# 11 Caractéristiques techniques

|                                   | FR34 AC/DC   | FR40 AC/DC                           |
|-----------------------------------|--|--------------------------------------|
| N° de produit :                   | 9600000537   | 9105330192                           |
| Tension de raccordement :         | 12/24 V===<br>100 – 240 V~, 50/60 Hz   |                                      |
| Puissance absorbée :              | 4 A (12 V===)<br>2 A (24 V===)<br>1,0 – 0,4 A (100 – 240 V~)                                       |                                      |
| Puissance frigorifique :          | +10 °C à –10 °C<br>(+50 °F à +14 °F)   | +10 °C à –10 °C<br>(+50 °F à +14 °F) |
| Catégorie :                       | Catégorie 1<br>(réfrigérateur avec un ou plusieurs compartiments de rangement pour aliments frais) |                                      |
| Capacité :                        | 32,5 l   | 40 l                                 |
| Capacité utile :                  | 31,0 l   | 38 l                                 |
| Classe d'efficacité énergétique : | A++  | A++                                  |
| Consommation électrique :         | 51 kWh/an  |                                      |
| Classe climatique :               | N  |                                      |
| Température ambiante :            | +16 °C à +32 °C  |                                      |
| Émissions sonores :               | 49 dB(A)   |                                      |
| Quantité de fluide frigorigène :  | 45 g   | 42 g                                 |
| Équivalent CO <sub>2</sub> :      | 0,064 t  | 0,060 t                              |
| Dimensions (l x a x h) :          | 584 x 365 x 407 mm   | 584 x 365 x 446 mm                   |
| Poids :                           | 11,4 kg  | 11,5 kg                              |



## REMARQUE

La température minimale ne peut plus être atteinte à des températures ambiantes supérieures à +32 °C (+90 °F).

Contrôle/certificats :



Le circuit de refroidissement contient du R134a.

Contient des gaz à effet de serre fluorés

Equipement hermétiquement scellé

**Lea atentamente este manual antes de la puesta en funcionamiento del aparato y consérvelo en un lugar seguro para futuras consultas. En caso de vender o entregar el aparato a otra persona, entregue también estas instrucciones.**

El fabricante declina toda responsabilidad por los daños causados por **el uso inadecuado** o por el **uso incorrecto** del aparato.

## Índice

|           |   |    |
|-----------|---|----|
| <b>1</b>  | <b>Aclaración de los símbolos</b> .....               | 52 |
| <b>2</b>  | <b>Indicaciones de seguridad</b> .....                | 52 |
| 2.1       | Seguridad general .....                               | 52 |
| 2.2       | Seguridad durante el funcionamiento del aparato ..... | 54 |
| <b>3</b>  | <b>Volumen de entrega</b> .....                       | 54 |
| <b>4</b>  | <b>Uso adecuado</b> .....                             | 55 |
| <b>5</b>  | <b>Descripción del funcionamiento</b> .....           | 56 |
| 5.1       | Indicaciones relativas al funcionamiento .....        | 56 |
| 5.2       | Elementos de mando y de indicación .....              | 57 |
| <b>6</b>  | <b>Manejo</b> .....                                   | 58 |
| 6.1       | Antes del primer uso .....                            | 58 |
| 6.2       | Consejos para el ahorro de energía .....              | 58 |
| 6.3       | Conexión de la nevera .....                           | 59 |
| 6.4       | Uso del controlador de la batería .....               | 59 |
| 6.5       | Uso de la nevera .....                                | 60 |
| 6.6       | Bloqueo de la tapa de la nevera .....                 | 61 |
| 6.7       | Ajustar la temperatura .....                          | 62 |
| 6.8       | Desconectar la nevera .....                           | 62 |
| 6.9       | Descongelar la nevera .....                           | 62 |
| 6.10      | Sustitución del fusible .....                         | 63 |
| <b>7</b>  | <b>Limpieza y mantenimiento</b> .....                 | 63 |
| <b>8</b>  | <b>Garantía legal</b> .....                           | 63 |
| <b>9</b>  | <b>Solución de averías</b> .....                      | 64 |
| <b>10</b> | <b>Eliminación de desechos</b> .....                  | 64 |
| <b>11</b> | <b>Datos técnicos</b> .....                           | 65 |

# 1 Aclaración de los símbolos

**¡ADVERTENCIA!**

**Indicación de seguridad:** su incumplimiento puede acarrear la muerte o graves lesiones.

**¡ATENCIÓN!**

**Indicación de seguridad:** su incumplimiento puede acarrear lesiones.

**¡AVISO!**

Su incumplimiento puede acarrear daños materiales y perjudicar el correcto funcionamiento del producto.

**NOTA**

Información adicional para el manejo del producto.

## 2 Indicaciones de seguridad

### 2.1 Seguridad general

**¡ADVERTENCIA!**

- No ponga el aparato en funcionamiento si presenta desperfectos visibles.
- Si se daña el cable de conexión del aparato, éste deberá ser reemplazado por el fabricante, su servicio de atención al cliente o una persona cualificada para evitar así posibles peligros.
- Sólo personal especializado puede realizar reparaciones en el aparato. Las reparaciones realizadas indebidamente pueden dar lugar a situaciones de considerable peligro.
- Los niños mayores de 8 años y las personas de capacidad física, sensorial o mental disminuida, así como aquellas personas con falta de experiencia y/o conocimientos suficientes solo podrán utilizar este aparato si están vigilados o han sido instruidos respecto al uso seguro del aparato y a los posibles peligros que pueden emanar de él.

- Los niños solo podrán realizar las tareas de limpieza y mantenimiento bajo vigilancia.
- Los niños no están autorizados a jugar con el aparato.
- Se ha de vigilar a los niños para garantizar que no usen este aparato como juguete.
- Mantenga y utilice el aparato fuera del alcance de los niños menores de 8 años.
- No guarde en el aparato sustancias con peligro de explosión como, p. ej., atomizadores con gases combustibles.

**¡ATENCIÓN!**

- Desconecte el aparato de la red
  - antes de realizar cualquier tarea de limpieza y mantenimiento;
  - después de cada uso.
- Los alimentos sólo se pueden guardar en los envases originales o en recipientes adecuados.

**¡AVISO!**

- Compare el valor de tensión indicado en la placa de características con el suministro de energía existente.
- Conecte el aparato únicamente del siguiente modo:
  - conecte el cable de alimentación CC a una caja de enchufe CC en el vehículo (por ejemplo mechero del vehículo)
  - o bien conecte el cable de alimentación de CA a la red de corriente alterna
- No extraiga nunca la clavija de la caja de enchufe tirando del cable de conexión.
- Si la nevera está conectada a la caja de enchufe CC: Desconecte de la batería el aparato refrigerador u otros dispositivos consumidores si va a conectar un cargador rápido.
- Si la nevera está conectada a la caja de enchufe CC: Desconecte la conexión o apague el aparato cuando apague el motor. De lo contrario podrá descargarse la batería.
- Este aparato refrigerador no es apto para transportar sustancias corrosivas o disolventes.

- Este aislamiento de este aparato refrigerador contiene ciclopentano inflamable. Los gases presentes en el material aislante requieren un proceso de eliminación especial. Elimine debidamente el aparato al final de su vida útil.

## 2.2 Seguridad durante el funcionamiento del aparato



### ¡ATENCIÓN!

- Antes de la puesta en funcionamiento, asegúrese de que el cable de alimentación y la clavija de enchufe estén secos.



### ¡AVISO!

- No utilice ningún aparato eléctrico dentro de la nevera, a no ser que el aparato en cuestión haya sido recomendado para ello por el fabricante.
- No coloque el aparato cerca de llamas vivas ni de otras fuentes de calor (calefacción, radiación directa del sol, estufas de gas, etc.).
- **¡Peligro de sobrecalentamiento!**  
Asegúrese todo el tiempo de que el calor producido durante el funcionamiento se puede desalojar adecuadamente. Asegúrese de que el aparato guarda la suficiente distancia con las paredes u objetos, de forma que el aire pueda circular.
- Procure que no se obstruyan las ranuras de ventilación.
- No introduzca líquidos ni hielo en el contenedor interior.
- No sumerja nunca el aparato en agua.
- Proteja el aparato y los cables del calor y de la humedad.

## 3 Volumen de entrega

| Cantidad | Denominación                            |
|----------|---|
| 1        | Nevera por compresor                    |
| 1        | Cable de conexión de corriente continua |
| 1        | Cable de conexión de corriente alterna  |
| 1        | Instrucciones de uso                    |

## 4 Uso adecuado

La nevera es apta tanto para enfriar como para congelar los alimentos. El aparato también es apto para su funcionamiento en embarcaciones.

El aparato está diseñado para conectarlo a una caja de enchufe de 12 V $\text{=}$  o 24 V $\text{=}$  de la red de a bordo de un automóvil (por ejemplo, mechero del vehículo), de una embarcación o de una autocaravana o a una red de corriente alterna de 230 V $\sim$ .



### **¡ATENCIÓN! ¡Riesgo para la salud!**

Compruebe si la potencia de refrigeración del aparato cumple las exigencias de los alimentos o medicamentos que desea enfriar.

## 5 Descripción del funcionamiento

En la nevera se pueden enfriar y mantener fríos los productos, así como congelar.

La refrigeración se realiza a través de un circuito de refrigeración con compresor que no requiere mantenimiento. El aislamiento exterior extrafuerte y el compresor de alto rendimiento garantizan una refrigeración especialmente rápida.

La nevera está prevista para un uso portátil.

Para su uso en embarcaciones, la nevera puede funcionar con un ángulo de escora constante de 30°.

### 5.1 Indicaciones relativas al funcionamiento

- Controlador de la batería de tres etapas para proteger la batería del vehículo
- La pantalla con indicación de temperatura se apaga automáticamente en caso de una tensión baja de la batería
- Ajuste de temperatura: Con dos pulsadores en pasos de 1 °C (2 °F)



## 5.2 Elementos de mando y de indicación

**Bloqueo de la tapa: fig. 1, página 2**

**Panel de mando (fig. 2, página 2)**

| Pos. | Denominación | Explicación  |
|------|--------------|--|
| 1    | ON<br>OFF    | Enciende o apaga la nevera cuando se pulsa la tecla durante uno o dos segundos   |
| 2    | POWER        | Indicación del modo de funcionamiento<br>LED iluminado en verde: el compresor está en marcha<br>LED iluminado en naranja: el compresor está apagado<br>LED parpadea en naranja: La pantalla se apaga automáticamente porque la tensión de la batería es baja |
| 3    | ERROR        | LED parpadea en rojo: el aparato conectado no está listo para funcionar  |
| 4    | SET          | Selecciona el modo de entrada de datos<br>– ajuste de temperatura<br>– indicación en °Celsius o °Fahrenheit<br>– ajuste del controlador de la batería  |
| 5    | –            | Display, indica la temperatura   |
| 6    | “+”          | Pulsando una vez, aumenta el valor de entrada  |
| 7    | “–”          | Pulsando una vez, disminuye el valor de entrada  |

**Conexiones (fig. 3, página 2):**

| Pos. | Denominación  |
|------|---|
| 1    | Conectores para la alimentación de corriente alterna  |
| 2    | Portafusible  |
| 3    | Cubierta de la toma de corriente alterna              |
| 4    | Cubierta de la toma de corriente continua             |
| 5    | Conectores para la alimentación de corriente continua |

## 6 Manejo

### 6.1 Antes del primer uso

**NOTA**

Por razones de higiene, debería limpiar la nueva nevera por dentro y por fuera con un paño húmedo antes de ponerla en funcionamiento (véase también capítulo “Limpieza y mantenimiento” en la página 63).

#### Seleccionar la unidad de temperatura

Para la indicación de temperatura puede elegir entre °Celsius o °Fahrenheit. Para ello proceda de la siguiente manera:

- Encienda la nevera.
- Pulse el botón “SET” dos veces.
- Ajuste con las teclas “+” o “-” la unidad de temperatura °Celsius o °Fahrenheit.
- ✓ El display indica durante unos segundos la unidad de temperatura ajustada. El display parpadea algunas veces antes de volver a mostrar la temperatura actual.

### 6.2 Consejos para el ahorro de energía

- Elija un lugar de montaje correctamente ventilado y protegido de la radiación solar.
- Antes de introducir alimentos calientes, deje que se enfríen.
- Evite abrir la nevera más de lo necesario.
- No deje la nevera abierta más tiempo del que sea necesario.
- Descongele la nevera cuando se forme una capa de escarcha.
- Evite utilizar temperaturas innecesariamente bajas.

### 6.3 Conexión de la nevera

La nevera se puede utilizar tanto con corriente continua como con corriente alterna.



***¡AVISO! ¡Peligro de daños en el aparato!***

Antes de cargar la batería con un cargador rápido, desconéctela de la nevera y de otros consumidores.

La sobretensión puede dañar el sistema electrónico del aparato.

Por motivos de seguridad, la nevera está equipada con una protección electrónica contra inversión de polaridad que la protege si no se respeta la polaridad al conectarla a la batería y contra cortocircuitos.

- Enchufe el cable de conexión de corriente continua en la toma de corriente continua y conéctelo a una caja de enchufe de corriente continua o...
- ...enchufe el cable de conexión de corriente alterna en la toma de corriente alterna y conéctelo a una caja de enchufe de corriente alterna.
- Cierre las cubiertas de las tomas que no se utilicen para así evitar que se entre inintencionadamente en contacto con ellas. Además, así se evita también que penetre polvo, suciedad o agua en las tomas.

### 6.4 Uso del controlador de la batería

La nevera está equipada con un controlador de batería de varios niveles que evita que la batería del vehículo se descargue excesivamente cuando se utiliza la red de corriente continua.

En caso de poner en funcionamiento la nevera en el vehículo con el contacto apagado, ésta se desconectará automáticamente en cuanto descienda la tensión de alimentación por debajo del valor programable. La nevera vuelve a conectarse tan pronto como se cargue la batería y se alcance la tensión de alimentación de reconexión.



***¡AVISO! ¡Peligro de daños en el aparato!***

Al apagarse mediante el controlador de la batería la batería ya no dispone de su capacidad de carga completa, evite continuos arranques o poner en funcionamiento otros consumidores de corriente sin haber recargado la batería. Asegúrese de recargar la batería.

En el modo “HIGH” el controlador de batería se activa antes que en el nivel “LOW” y “MED” (véase la siguiente tabla).

| Modo de controlador de la batería | LOW    | MED    | HIGH   |
|-----------------------------------|--------|--------|--------|
| Tensión de desconexión a 12 V     | 10,1 V | 11,4 V | 11,8 V |
| Tensión de reconexión a 12 V      | 11,1 V | 12,2 V | 12,6 V |
| Tensión de desconexión a 24 V     | 21,5 V | 24,1 V | 24,6 V |
| Tensión de reconexión a 24 V      | 23,0 V | 25,3 V | 26,2 V |

Para cambiar el modo del controlador de la batería, proceda como sigue:

- Encienda la nevera.
- Pulse el botón “SET” tres veces.
- Ajuste con las teclas “+” o “-” el modo del controlador de la batería.
- ✓ El display indica durante unos segundos el modo del controlador de la batería. El display parpadea algunas veces antes de volver a mostrar la temperatura actual.



#### **NOTA**

Cuando la nevera está alimentada por la batería de arranque, seleccione el modo de controlador de la batería “HIGH”. Cuando la nevera está alimentada por la batería de abastecimiento, es suficiente el modo de controlador de la batería “LOW”.

## 6.5 Uso de la nevera



### **¡AVISO! ¡Peligro de sobrecalentamiento!**

Asegúrese todo el tiempo de que el calor producido durante el funcionamiento se pueda desalojar adecuadamente. Evite que se obstruyan las ranuras de ventilación. Asegúrese de que el aparato guarde la suficiente distancia con las paredes u objetos, de forma que el aire pueda circular.

- Coloque la nevera sobre una base firme. Procure que no se obstruyan las ranuras de ventilación y que el aire recalentado se evacue correctamente.

**NOTA**

Coloque la nevera como aparece representado (fig. **4**, página 3). Si la nevera se pone en marcha situada en otra posición, podría dañar el aparato.

- ▶ Conecte la nevera, véase capítulo “Conexión de la nevera” en la página 59.

**¡AVISO! ¡Peligro debido a temperatura demasiado baja!**

Asegúrese de que en la nevera solo hay objetos o productos que puedan enfriarse a la temperatura seleccionada.

- ▶ Pulse el botón “ON/OFF” durante uno o dos segundos.
- ✓ El LED “POWER” se ilumina.
- ✓ La pantalla se enciende e indica la temperatura de enfriado actual.

**NOTA**

La temperatura indicada se refiere al centro del compartimiento interior. La temperatura de otras partes puede ser diferente.

- ✓ La nevera empezará a refrigerar el interior.

**NOTA**

Durante el funcionamiento con batería, la pantalla se apaga automáticamente si la tensión de la batería es baja. El LED “POWER” parpadea en naranja.

## 6.6 Bloqueo de la tapa de la nevera

- ▶ Levante el bloqueo (fig. **1** 1, página 2) y cierre la tapa.
- ▶ Suelte el bloqueo.
- ✓ El bloqueo encaja audiblemente y bloquea la nevera.

## 6.7 Ajustar la temperatura

- Pulse el botón “SET” una vez.
- Ajuste la temperatura de enfriamiento con las teclas “+” o “-”.
- ✓ La pantalla indica, durante unos segundos, la temperatura de enfriado ajustada. El display parpadea algunas veces antes de volver a mostrar la temperatura actual.

## 6.8 Desconectar la nevera

- Vacíe la nevera.
- Desconecte la nevera.
- Desenchufe el cable de alimentación.

Si no va a usar la nevera durante un largo período de tiempo:

- Deje la tapa de la nevera ligeramente abierta. De esta forma, evitará la aparición de olores.

## 6.9 Descongelar la nevera

Es posible que la humedad del aire se deposite en forma de escarcha en el evaporador o en el interior de la nevera, disminuyendo de este modo la potencia frigorífica. Descongele la nevera para evitarlo.



### **¡AVISO! ¡Peligro de daños en el aparato!**

Nunca utilice herramientas duras o puntiagudas para retirar capas de hielo o soltar productos que se hayan adherido al congelarse.

Para descongelar la nevera, proceda como se indica a continuación:

- Saque los productos del interior de la nevera.
- En caso necesario, coloque los productos en otro refrigerador para mantenerlos fríos.
- Desconecte el aparato.
- Deje abierta la tapa de la nevera.
- Seque con un paño el agua descongelada.

## 6.10 Sustitución del fusible

- Cambie el fusible (8 A 32 V) tal y como se representa (fig. 4, página 3).

# 7 Limpieza y mantenimiento



### ¡ADVERTENCIA!

Desconecte el aparato de la red antes de proceder con la limpieza o el mantenimiento del mismo.



### ¡AVISO! ¡Peligro de ocasionar daños materiales!

- Nunca limpie la nevera bajo el chorro de agua corriente ni inmersa en agua jabonosa.
- No emplee productos de limpieza corrosivos u objetos que puedan arañar o deteriorar el aparato durante su limpieza.

- Limpie de vez en cuando el interior y el exterior de la nevera con un paño húmedo.
- Asegúrese de que las aberturas de ventilación y desaireación del aparato están limpias de polvo para que se pueda evacuar el calor generado durante el funcionamiento y el aparato no resulte perjudicado.

# 8 Garantía legal

Rige el plazo de garantía legal. Si el producto presenta algún defecto, diríjase a la sucursal del fabricante de su país (ver direcciones en el dorso de estas instrucciones) o a su establecimiento especializado.

Para la tramitación de la reparación y de la garantía debe enviar también los siguientes documentos:

- una copia de la factura con fecha de compra,
- el motivo de la reclamación o una descripción de la avería.

## 9 Solución de averías

| Avería  | Causa posible  | Propuesta de solución   |
|---|--|---|
| La nevera no funciona, el LED "POWER" no se ilumina.  | No hay tensión en la toma de corriente continua del vehículo.  | En la mayoría de los vehículos debe estar conectado el interruptor de encendido para que la toma de corriente continua reciba tensión.                                      |
| El aparato no enfría (la clavija está conectada, el LED "POWER" se ilumina).  | Compresor averiado.  | Sólo un servicio de asistencia técnica autorizado puede realizar las reparaciones.  |
| El aparato no enfría (la clavija está conectada, el LED "POWER" parpadea en naranja, la pantalla está apagada).                                     | La tensión de batería no es suficiente.  | Compruebe la batería y cárguela de ser necesario.   |
| Para el funcionamiento en la toma de corriente continua:<br>El encendido está conectado, pero la nevera no funciona y el LED "POWER" no se ilumina. | La caja de la toma de corriente continua está sucia y, en consecuencia, el contacto eléctrico es defectuoso. | Si la clavija se calienta demasiado en la toma de corriente continua, puede que sea necesario limpiar la caja de la toma o que el enchufe no se haya montado correctamente. |
|   | El fusible del enchufe de corriente continua está fundido.   | Cambie el fusible (8 A) del enchufe de corriente continua, véase capítulo "Sustitución del fusible" en la página 63.  |
|   | Se ha fundido el fusible del vehículo.   | Cambie el fusible del enchufe de la toma de corriente continua del vehículo (normalmente 15 A) (consulte para ello el manual de instrucciones de su vehículo).              |
| En la pantalla se indica un mensaje de error (por ejemplo, "Err1") y el aparato no enfría.  | El aparato se ha apagado por un fallo interno.   | Sólo un servicio de asistencia técnica autorizado puede realizar las reparaciones.  |

## 10 Eliminación de desechos

- Deseche el material de embalaje en el contenedor de reciclaje correspondiente.



Quando vaya a desechar definitivamente el producto, infórmese en el centro de reciclaje más cercano o en un comercio especializado sobre las normas pertinentes de eliminación de materiales.



# 11 Datos técnicos

|                                 | FR34 AC/DC   | FR40 AC/DC                           |
|---------------------------------|--|--------------------------------------|
| N.º de art.:                    | 9600000537   | 9105330192                           |
| Tensión de conexión:            | 12/24 V===<br>100 – 240 V~, 50/60 Hz   |                                      |
| Consumo de potencia:            | 4 A (12 V===)<br>2 A (24 V===)<br>1,0 – 0,4 A (100 – 240 V~)                   |                                      |
| Potencia de refrigeración:      | +10 °C a –10 °C<br>(+50 °F a +14 °F)   | +10 °C a –10 °C<br>(+50 °F a +14 °F) |
| Categoría:                      | Categoría 1<br>(Nevera con uno o varios compartimentos para alimentos frescos) |                                      |
| Volumen bruto:                  | 32,5 l   | 40 l                                 |
| Capacidad útil:                 | 31,0 l   | 38 l                                 |
| Clase de eficiencia energética: | A++  | A++                                  |
| Consumo de energía:             | 51 kWh/año   |                                      |
| Clase climática:                | N  |                                      |
| Temperatura ambiente:           | +16 °C a +32 °C  |                                      |
| Emisiones de ruido:             | 49 dB(A)   |                                      |
| Cantidad de refrigerante:       | 45 g   | 42 g                                 |
| Equivalente a CO <sub>2</sub> : | 0,064 t  | 0,060 t                              |
| Dimensiones (L x A x H):        | 584 x 365 x 407 mm   | 584 x 365 x 446 mm                   |
| Peso:                           | 11,4 kg  | 11,5 kg                              |



## NOTA

En el caso de temperaturas ambiente superiores a +32 °C (+90 °F) ya no será posible alcanzar la temperatura mínima.

Inspección/Certificados:



El circuito de refrigeración contiene R134a.

Contiene gases de efecto invernadero fluorados

Aparato sellado herméticamente

**Prima di effettuare la messa in funzione leggere accuratamente questo manuale di istruzioni, conservarlo e, in caso di trasmissione dell'apparecchio consegnarlo all'utente successivo.**

Il produttore declina ogni responsabilità per danni risultanti da un **uso non conforme alla destinazione** o da un **impiego scorretto**.

## Indice

|           |  |    |
|-----------|--|----|
| <b>1</b>  | <b>Spiegazione dei simboli</b> .....                       | 68 |
| <b>2</b>  | <b>Indicazioni di sicurezza</b> .....                      | 68 |
| 2.1       | Sicurezza generale .....                                   | 68 |
| 2.2       | Sicurezza durante il funzionamento dell'apparecchio .....  | 70 |
| <b>3</b>  | <b>Dotazione</b> .....                                     | 70 |
| <b>4</b>  | <b>Uso conforme alla destinazione</b> .....                | 71 |
| <b>5</b>  | <b>Descrizione del funzionamento</b> .....                 | 71 |
| 5.1       | Funzioni .....   | 71 |
| 5.2       | Elementi di comando e indicazione .....                    | 72 |
| <b>6</b>  | <b>Impiego</b> .....                                       | 73 |
| 6.1       | Prima della messa in funzione iniziale .....               | 73 |
| 6.2       | Suggerimenti per risparmiare energia .....                 | 73 |
| 6.3       | Come collegare il frigorifero .....                        | 74 |
| 6.4       | Utilizzo del dispositivo di controllo della batteria ..... | 74 |
| 6.5       | Come usare il frigorifero .....                            | 75 |
| 6.6       | Bloccaggio del coperchio del frigorifero portatile .....   | 76 |
| 6.7       | Regolazione della temperatura .....                        | 76 |
| 6.8       | Come spegnere il frigorifero .....                         | 77 |
| 6.9       | Sbrinamento del frigorifero portatile .....                | 78 |
| 6.10      | Sostituzione del fusibile .....                            | 78 |
| <b>7</b>  | <b>Pulizia e cura</b> .....                                | 79 |
| <b>8</b>  | <b>Garanzia</b> .....                                      | 79 |
| <b>9</b>  | <b>Eliminazione dei disturbi</b> .....                     | 80 |
| <b>10</b> | <b>Smaltimento</b> .....                                   | 80 |
| <b>11</b> | <b>Specifiche tecniche</b> .....                           | 81 |

# 1 Spiegazione dei simboli

**AVVERTENZA!**

**Avviso di sicurezza:** la mancata osservanza di questo avviso può causare ferite gravi anche mortali.

**ATTENZIONE!**

**Avviso di sicurezza:** la mancata osservanza di questo avviso può essere causa di lesioni.

**AVVISO!**

La mancata osservanza di questa nota può causare danni materiali e compromettere il funzionamento del prodotto.

**NOTA**

Informazioni integranti relative all'impiego del prodotto.

## 2 Indicazioni di sicurezza

### 2.1 Sicurezza generale

**AVVERTENZA!**

- Se l'apparecchio presenta danni visibili, non metterlo in funzione.
- Se il cavo di allacciamento di questo apparecchio viene danneggiato, esso deve essere sostituito dal produttore, da parte del suo servizio clienti, oppure da una persona sufficientemente qualificata, al fine di evitare pericoli.
- Questo apparecchio deve essere riparato solo da personale specializzato. Le riparazioni effettuate in modo scorretto potrebbero causare rischi enormi.
- Il presente apparecchio può essere usato da bambini a partire dagli 8 anni e da utenti con ridotte capacità fisiche, sensoriali o mentali o inesperti e/o con conoscenze insufficienti, se non sono lasciati soli o se sono stati istruiti sull'utilizzo sicuro dell'apparecchio e hanno compreso i pericoli che possono insorgere.

- La pulizia e la manutenzione da parte dell'utente non possono essere compiute da bambini lasciati soli.
- I bambini non possono giocare con l'apparecchio.
- Sorvegliare i bambini per evitare che giochino con l'apparecchio.
- Conservare e utilizzare l'apparecchio lontano dalla portata dei bambini al di sotto degli 8 anni.
- Nell'apparecchio non conservare sostanze esplosive come ad es. bombolette spray con gas propellente infiammabile.

**ATTENZIONE!**

- Staccare l'apparecchio dalla rete
  - prima di effettuare la pulizia e la cura
  - dopo ogni utilizzo
- I prodotti alimentari possono essere conservati solo nelle confezioni originali o in contenitori adeguati.

**AVVISO!**

- Confrontare i dati della tensione riportati sulla targhetta con quelli delle prese e degli attacchi disponibili.
- Collegare l'apparecchio solo nel modo seguente:
  - con il cavo di allacciamento CC alla spina CC del veicolo (ad es. accendisigari)
  - oppure con il cavo di allacciamento da CA alla rete di alimentazione in corrente alternata
- Non estrarre mai la spina dalla presa tirando il cavo di allacciamento.
- Quando il frigorifero è collegato ad un presa CC: Staccare il frigorifero e le altre utenze dalla batteria prima di collegare il caricabatterie rapido.
- Quando il frigorifero è collegato ad un presa CC: Interrompere il collegamento o spegnere il frigorifero se il motore viene spento. Altrimenti la batteria si può scaricare.
- Il frigorifero non è adatto per il trasporto di sostanze corrosive o solventi.
- Questo frigorifero contiene nell'isolamento ciclopentano infiammabile. I gasi contenuti nel materiale di isolamento richiedono un processo di smaltimento particolare. Al termine della sua vita utile, smaltire l'apparecchio in modo conforme.

## 2.2 Sicurezza durante il funzionamento dell'apparecchio



### ATTENZIONE!

- Prima della messa in funzione assicurarsi che la linea di alimentazione e la spina siano asciutte.



### AVVISO!

- Non utilizzare apparecchi elettrici all'interno del frigorifero ad eccezione di quelli consigliati dallo stesso produttore.
- Non collocare l'apparecchio nelle vicinanze di fiamme libere o altre fonti di calore (riscaldamento, intensa esposizione ai raggi solari, forni a gas ecc.).
- **Pericolo di surriscaldamento!**  
Assicurarsi che il calore generato durante il funzionamento sfiati sufficientemente. Assicurarsi che la distanza fra l'apparecchio e le pareti o altri oggetti sia tale che l'aria possa circolare liberamente.
- Fare attenzione che le feritoie di aerazione non vengano coperte.
- Non versare nessun tipo di liquido o ghiaccio nel contenitore interno.
- Non immergere mai l'apparecchio in acqua.
- Proteggere l'apparecchio e i cavi dal caldo e dall'umidità.

## 3 Dotazione

| Quantità | Denominazione                                 |
|----------|---|
| 1        | Frigorifero a compressore                     |
| 1        | Cavo di collegamento della corrente continua  |
| 1        | Cavo di collegamento della corrente alternata |
| 1        | Manuale di istruzioni                         |

## 4 Uso conforme alla destinazione

Il frigorifero portatile con compressore è adatto per raffreddare e congelare alimenti. Il frigorifero portatile con compressore è anche adatto per il funzionamento su imbarcazioni.

Il frigorifero portatile con compressore è stato realizzato per il funzionamento con la presa di corrente continua di un veicolo, di una barca o di un camper oppure con una presa di corrente alternata.



### **ATTENZIONE! Pericolo per la salute!**

Controllare che la capacità di raffreddamento dell'apparecchio sia conforme ai requisiti degli alimenti o medicinali che si desidera raffreddare.

## 5 Descrizione del funzionamento

Il frigorifero portatile può raffreddare, mantenere freddi i prodotti e surgelarli.

Il raffreddamento avviene mediante un circuito di raffreddamento che non richiede manutenzione e con compressore. L'isolamento, particolarmente spesso, e il potente compressore garantiscono un raffreddamento estremamente veloce.

L'apparecchio è adatto per essere utilizzato anche come frigorifero portatile.

Nel caso di impiego su imbarcazioni il frigorifero può essere sottoposto ad uno sbandamento continuo di 30°.

### 5.1 Funzioni

- Dispositivo di controllo automatico della batteria a tre livelli per la protezione della batteria del veicolo
- Il display con indicazione della temperatura viene spento automaticamente in caso di bassa tensione della batteria
- Regolazione della temperatura: con due tasti in passi da 1 °C (2 °F)

## 5.2 Elementi di comando e indicazione

Fermo del coperchio: fig. **1** 1, pagina 2

Campo di controllo (fig. **2**, pagina 2)

| Pos. | Denominazione | Spiegazione  |
|------|---------------|--|
| 1    | ON<br>OFF     | Accende o spegne il frigorifero se si tiene premuto il tasto da uno a due secondi  |
| 2    | POWER         | Spia di funzionamento<br>Il LED verde è acceso: il compressore è acceso<br>Il LED arancio è acceso: il compressore è spento<br>Il LED lampeggia con luce arancia: il display si è spento automaticamente perché la tensione della batteria è bassa |
| 3    | ERROR         | Il LED rosso lampeggia: l'apparecchio è acceso ma non è pronto per il funzionamento  |
| 4    | SET           | Seleziona la modalità di immissione<br>– impostazione della temperatura<br>– valori in gradi Celsius oppure Fahrenheit<br>– impostazione dispositivo di controllo automatico della batteria  |
| 5    | –             | Display, indica i valori   |
| 6    | “+”           | Premuto una volta aumenta il valore impostato selezionato  |
| 7    | “_”           | Premuto una volta diminuisce il valore impostato selezionato   |

Collegamenti (fig. **3**, pagina 2):

| Pos. | Denominazione   |
|------|---|
| 1    | Preso di collegamento per l'alimentazione di tensione alternata |
| 2    | Portafusibile   |
| 3    | Copertura presa a corrente alternata                            |



| Pos. | Denominazione  |
|------|--|
| 4    | Copertura presa a corrente continua                            |
| 5    | Presa di collegamento per l'alimentazione di tensione continua |

## 6 Impiego

### 6.1 Prima della messa in funzione iniziale

**NOTA**

Per motivi igienici, prima della messa in funzione iniziale del frigorifero, pulirne l'interno e l'esterno con un panno umido (vedi anche capitolo "Pulizia e cura" a pagina 79).

#### Selezione dell'unità di temperatura

L'indicazione di temperatura può essere selezionata in gradi Celsius e Fahrenheit. A questo scopo procedere come segue:

- Accendere il frigorifero.
  - Premere due volte il tasto "SET".
  - Impostare con i tasti "+" oppure "-", l'unità di temperatura Celsius oppure Fahrenheit.
- ✓ Il display visualizza per alcuni secondi l'unità di temperatura impostata. Il display lampeggia alcune volte prima di tornare alla rappresentazione della temperatura attuale.

### 6.2 Suggerimenti per risparmiare energia

- Scegliere un luogo di impiego ben aerato e riparato dai raggi solari.
- Prima di immagazzinare cibi caldi nell'apparecchio, lasciarli prima raffreddare.
- Non aprire il frigorifero più spesso del necessario.
- Non lasciare il frigorifero aperto più del necessario.
- Sbrinare il frigorifero portatile appena si è formato uno strato di ghiaccio.
- Evitare un abbassamento eccessivo della temperatura interna se non necessario.

### 6.3 Come collegare il frigorifero

Il frigorifero portatile può essere alimentato con corrente continua o corrente alternata.

**AVVISO! Pericolo di danni!**

Staccare il frigorifero portatile e altre utenze dalla batteria prima di caricare la batteria con un caricabatterie rapido.

Le sovratensioni possono danneggiare il sistema elettronico degli apparecchi.

Per motivi di sicurezza, il frigorifero portatile è dotato di una protezione elettronica contro l'inversione di polarità che lo protegge contro l'inversione di polarità durante il collegamento della batteria e un eventuale cortocircuito.

- Inserire il cavo di collegamento a corrente continua nella presa a corrente continua e collegarlo alla presa a corrente continua...
- ... inserire il cavo di collegamento a corrente alternata nella presa a corrente alternata e collegarlo alla presa a corrente alternata.
- Per evitare un contatto involontario delle prese, chiudere le coperture delle prese non utilizzate. Così facendo si evita che polvere, acqua e sporcizia penetrino nella presa.

### 6.4 Utilizzo del dispositivo di controllo della batteria

Il frigorifero dispone di un dispositivo di controllo automatico della batteria a più livelli che protegge la batteria del veicolo da uno scaricamento eccessivo durante il collegamento alla rete di corrente continua.

Se il frigorifero viene azionato a motore spento all'interno del veicolo, il frigorifero si spegne automaticamente non appena la tensione di alimentazione scende al di sotto di un valore impostato. Il frigorifero si riaccende non appena viene raggiunta la tensione di ripristino ottenuta caricando la batteria.

**AVVISO! Pericolo di danni!**

Quando la batteria viene spenta dal dispositivo di controllo automatico della batteria essa non dispone più della sua capacità di carica totale, evitare quindi ripetuti avvii o il funzionamento di reti di bordo senza fasi di carica di lunga durata. Fare in modo che la batteria venga ricaricata.

Nella modalità “HIGH”, il dispositivo di controllo automatico della batteria si attiva più velocemente che nei livelli “LOW” e “MED” (vedi la tabella seguente).

| Modo operativo del dispositivo di controllo automatico della batteria | LOW    | MED    | HIGH   |
|---|--------|--------|--------|
| Tensione di interruzione a 12 V                                       | 10,1 V | 11,4 V | 11,8 V |
| Tensione di ripristino a 12 V   | 11,1 V | 12,2 V | 12,6 V |
| Tensione di interruzione a 24 V                                       | 21,5 V | 24,1 V | 24,6 V |
| Tensione di ripristino a 24 V   | 23,0 V | 25,3 V | 26,2 V |

Per modificare la modalità per il dispositivo di controllo automatico della batteria, procedere come segue:

- Accendere il frigorifero.
  - Premere tre volte il tasto “SET”.
  - Impostare con i tasti “+” oppure “-”, la modalità per il dispositivo di controllo automatico della batteria.
- ✓ Il display visualizza per alcuni secondi la modalità impostata. Il display lampeggia alcune volte prima di tornare alla rappresentazione della temperatura attuale.



#### **NOTA**

Se il frigorifero è alimentato dalla batteria di avviamento del veicolo, selezionare la modalità del dispositivo di controllo automatico della batteria “HIGH”. Se il frigorifero è collegato ad una batteria di alimentazione, è sufficiente selezionare la modalità del dispositivo di controllo automatico della batteria “LOW”.

## 6.5 Come usare il frigorifero



#### **AVVISO! Pericolo di surriscaldamento!**

Assicurarsi che il calore generato durante il funzionamento fuoriesca sufficientemente. Fare attenzione che le feritoie di aerazione non vengano coperte. Assicurarsi che la distanza fra l'apparecchio e le pareti o altri oggetti sia tale che l'aria possa circolare liberamente.

- Collocare il frigorifero su una base stabile.  
Assicurarsi che le feritoie di aerazione non vengano coperte e che l'aria calda prodotta possa fuoriuscire liberamente.

**NOTA**

Posizionare il frigorifero secondo l'immagine (fig. **4**, pagina 3). Se il frigorifero viene posizionato in maniera differente, esso può venire danneggiato.

- Collegare il frigorifero, vedi capitolo “Come collegare il frigorifero” a pagina 74.

**AVVISO! Pericolo dovuto alla temperatura troppo bassa!**

Assicurarsi che nel frigorifero si trovino solo oggetti o prodotti che possono essere raffreddati alla temperatura selezionata.

- Premere il tasto “ON/OFF” da uno a due secondi.
- ✓ Il LED “POWER” è acceso.
- ✓ Il display si accende e visualizza l'attuale temperatura di raffreddamento.

**NOTA**

La temperatura visualizzata si riferisce alla parte centrale del vano interno. La temperatura può essere diversa in altri punti.

- ✓ Lo spazio interno del frigorifero inizia a raffreddarsi.

**NOTA**

In caso di funzionamento a una batteria, il display si spegne automaticamente quando la tensione della batteria è bassa. Il LED “POWER” lampeggia con luce arancia.

## 6.6 Bloccaggio del coperchio del frigorifero portatile

- Sollevare il bloccaggio (fig. **1** 1, pagina 2) e chiudere il coperchio.
- Rilasciare il bloccaggio.
- ✓ Il bloccaggio si innesta con uno scatto udibile e il frigorifero portatile si blocca.

## 6.7 Regolazione della temperatura

- Premere una volta il tasto “SET”.

- Impostare la temperatura di raffreddamento con i tasti “+” oppure “-”.
- ✓ Il display visualizza per alcuni secondi la temperatura di raffreddamento impostata. Il display lampeggia alcune volte prima di tornare alla rappresentazione della temperatura attuale.

## 6.8 Come spegnere il frigorifero

- Svuotare il frigorifero.
- Spegnere il frigorifero.
- Estrarre il cavo di allacciamento.

Nel caso in cui il frigorifero non venga utilizzato per un lungo periodo di tempo:

- Lasciare il coperchio leggermente aperto. In questo modo si impedisce la formazione di odori.

## 6.9 Sbrinamento del frigorifero portatile

L'umidità dell'aria può condensarsi sul vaporizzatore o all'interno del frigorifero formando brina la quale diminuisce la potenza frigorifera. Sbrinare perciò l'apparecchio a tempo debito.



### **AVVISO! Pericolo di danni!**

Non impiegare mai utensili duri o accuminati per rimuovere gli strati di ghiaccio o per liberare oggetti congelati.

Per sbrinare il frigorifero, procedere come segue:

- Togliere i prodotti dal frigorifero.
- Immagazzinarli eventualmente in un altro frigorifero affinché si mantengano freddi.
- Spegnerne l'apparecchio.
- Lasciare il coperchio aperto.
- Asciugare la condensa.

## 6.10 Sostituzione del fusibile

- Sostituire il fusibile (8 A 32 V) come rappresentato da (fig. **4**, pagina 3).

## 7 Pulizia e cura

**AVVERTENZA!**

Staccare l'apparecchio dalla rete ogni volta che si effettua la pulizia e la cura.

**AVVISO! Pericolo di danni!**

- Non lavare mai il frigorifero sotto acqua corrente e non immergerlo in acqua per risciacquarlo.
- Per la pulizia non impiegare detersivi corrosivi oppure oggetti ruvidi, perché potrebbero danneggiare il frigorifero.

- Pulire l'interno e l'esterno dell'apparecchio di tanto in tanto con un panno umido.
- Assicurarsi che le aperture di aerazione e disaerazione dell'apparecchio siano prive di polvere e sporizia in modo da permettere, al calore generato durante il funzionamento, di fuoriuscire e non danneggiare l'apparecchio.

## 8 Garanzia

Vale il termine di garanzia previsto dalla legge. Qualora il prodotto risultasse difettoso, La preghiamo di rivolgersi alla filiale del produttore del suo Paese (l'indirizzo si trova sul retro del manuale di istruzioni), oppure al rivenditore specializzato di riferimento.

Per la riparazione e per il disbrigo delle condizioni di garanzia è necessario inviare la seguente documentazione:

- una copia della fattura con la data di acquisto del prodotto,
- un motivo su cui fondare il reclamo, oppure una descrizione del guasto.

## 9 Eliminazione dei disturbi

| Disturbo  | Possibile causa   | Proposta di soluzione  |
|---|---|--|
| Il frigorifero portatile non funziona, il LED "POWER" è spento.   | Nella presa di corrente continua del veicolo non c'è tensione.                          | Nella maggior parte dei veicoli è necessario che l'interruttore di accensione sia inserito perché alla presa di corrente continua possa arrivare tensione.   |
| L'apparecchio non raffredda (la spina è inserita nella presa, il LED "POWER" è acceso).   | Compressore difettoso.  | I lavori di riparazione devono essere effettuati solo da un Punto Assistenza Clienti autorizzato.  |
| L'apparecchio non raffredda (la spina è inserita nella presa, il LED "POWER" lampeggia con luce arancione, il display è spento).                          | Tensione della batteria insufficiente.  | Controllare la batteria ed eventualmente caricarla.  |
| In caso di funzionamento con la presa di corrente continua: L'accensione è inserita, il frigorifero portatile non funziona e il LED "POWER" non è acceso. | La presa di corrente continua è sporca. Questo provoca un contatto elettrico sbagliato. | Se la spina inserita nella presa di corrente continua si scalda molto, significa che è necessario pulirla o che probabilmente non è montata in modo corretto |
|   | Il fusibile della spina di corrente continua è bruciato.                                | Sostituire il fusibile (8 A) della spina a corrente continua, vedi capitolo "Sostituzione del fusibile" a pagina 78  |
|   | Il fusibile del veicolo è bruciato.   | Sostituire il fusibile del veicolo della presa di corrente continua (solitamente di 15 A; osservare inoltre il manuale di istruzioni del proprio veicolo).   |
| Il display indica un messaggio di errore (p.es. "Err1") e l'apparecchio non raffredda.  | Un disturbo di funzionamento interno ha spento l'apparecchio.                           | I lavori di riparazione devono essere effettuati solo da un Punto Assistenza Clienti autorizzato.  |

## 10 Smaltimento

- Raccogliere il materiale di imballaggio possibilmente negli appositi contenitori di riciclaggio.



Quando il prodotto viene messo fuori servizio definitivamente, informarsi al centro di riciclaggio più vicino, oppure presso il proprio rivenditore specializzato, sulle prescrizioni adeguate concernenti lo smaltimento.



# 11 Specifiche tecniche

|                                  | FR34 AC/DC  | FR40 AC/DC                                 |
|----------------------------------|---|--|
| N. art.:                         | 9600000537  | 9105330192                                 |
| Tensione di allacciamento:       | 12/24 V===<br>100 – 240 V~, 50/60 Hz                                      |  |
| Potenza assorbita:               | 4 A (12 V===)<br>2 A (24 V===)<br>1,0 – 0,4 A (100 – 240 V~)              |  |
| Capacità di raffreddamento:      | da +10 °C a –10 °C<br>(da +50 °F a +14 °F)                                | da +10 °C a –10 °C<br>(da +50 °F a +14 °F) |
| Categoria:                       | Categoria 1<br>(frigorifero con uno o più scomparti per alimenti freschi) |  |
| Capacità lorda:                  | 32,5 l  | 40 l                                       |
| Volume utile:                    | 31,0 l  | 38 l                                       |
| Classe di efficienza energetica: | A++   | A++  |
| Consumo energetico:              | 51 kWh/annum  |  |
| Classe climatica:                | N   |  |
| Temperatura ambiente:            | da +16 °C a +32 °C  |  |
| Emissioni acustiche:             | 49 dB(A)  |  |
| Quantità di refrigerante:        | 45 g  | 42 g                                       |
| Equivalenti CO <sub>2</sub> :    | 0,064 t   | 0,060 t                                    |
| Dimensioni (L x P x H):          | 584 x 365 x 407 mm  | 584 x 365 x 446 mm                         |
| Peso:                            | 11,4 kg   | 11,5 kg                                    |



### NOTA

Con temperature ambiente a partire da +32 °C (+90 °F) in su, la temperatura minima non può più essere raggiunta.

Certificati di controllo:



Il circuito del refrigerante contiene R134a.

Contiene gas fluorurati a effetto serra

Apparecchiature ermeticamente sigillate

**Lees deze handleiding voor de ingebruikname zorgvuldig door en bewaar deze. Geef de handleiding bij doorgeven van het toestel door aan de gebruiker.**

De fabrikant kan niet aansprakelijk worden gesteld voor schade die door **gebruik tegen de voorschriften in** of door **verkeerde bediening** wordt veroorzaakt.

## Inhoudsopgave

|           |  |    |
|-----------|--|----|
| <b>1</b>  | <b>Verklaring van de symbolen</b> .....          | 84 |
| <b>2</b>  | <b>Veiligheidsinstructies</b> .....              | 84 |
| 2.1       | Algemene veiligheid .....                        | 84 |
| 2.2       | Veiligheid bij het gebruik van het toestel ..... | 86 |
| <b>3</b>  | <b>Omvang van de levering</b> .....              | 86 |
| <b>4</b>  | <b>Gebruik volgens de voorschriften</b> .....    | 86 |
| <b>5</b>  | <b>Beschrijving van de werking</b> .....         | 87 |
| 5.1       | Omvang functies .....                            | 87 |
| 5.2       | Bedienings- en indicatie-elementen .....         | 87 |
| <b>6</b>  | <b>Bediening</b> .....                           | 88 |
| 6.1       | Voor het eerste gebruik .....                    | 88 |
| 6.2       | Tips om energie te besparen .....                | 89 |
| 6.3       | Koelbox aansluiten .....                         | 90 |
| 6.4       | Accumeter gebruiken .....                        | 90 |
| 6.5       | Koelbox gebruiken .....                          | 91 |
| 6.6       | Deksel van koelapparaat vergrendelen .....       | 92 |
| 6.7       | Temperatuur instellen .....                      | 92 |
| 6.8       | Koelbox uitschakelen .....                       | 93 |
| 6.9       | Koelbox ontdooien .....                          | 93 |
| 6.10      | Zekering vervangen .....                         | 93 |
| <b>7</b>  | <b>Reiniging en onderhoud</b> .....              | 94 |
| <b>8</b>  | <b>Garantie</b> .....                            | 94 |
| <b>9</b>  | <b>Verhelpen van storingen</b> .....             | 95 |
| <b>10</b> | <b>Afvoer</b> .....                              | 95 |
| <b>11</b> | <b>Technische gegevens</b> .....                 | 96 |

# 1 Verklaring van de symbolen

**WAARSCHUWING!**

**Veiligheidsaanwijzing:** Het niet naleven kan leiden tot overlijden of ernstig letsel.

**VOORZICHTIG!**

**Veiligheidsaanwijzing:** Het niet naleven kan leiden tot letsel.

**LET OP!**

Het niet naleven ervan kan leiden tot materiële schade en de werking van het product beperken.

**INSTRUCTIE**

Aanvullende informatie voor het bedienen van het product.

## 2 Veiligheidsinstructies

### 2.1 Algemene veiligheid

**WAARSCHUWING!**

- Als het toestel zichtbaar beschadigd is, mag het niet in gebruik worden genomen.
- Als de aansluitkabel van dit toestel wordt beschadigd, moet deze, om gevaren te vermijden, door de fabrikant, diens klantenservice of een gelijkwaardig gekwalificeerd persoon vervangen worden.
- Reparaties aan dit toestel mogen uitsluitend door vakmonteurs uitgevoerd worden. Door ondeskundige reparaties kunnen grote gevaren ontstaan.
- Dit toestel kan door kinderen vanaf 8 jaar en ouder evenals door personen met verminderde fysieke, zintuiglijke of geestelijke vermogens of tekortschietende ervaring en/of kennis gebruikt worden, als ze worden begeleid of hun is uitgelegd hoe ze het toestel veilig kunnen gebruiken. Ook dienen ze inzicht te hebben in de gevaren die het gebruik van het toestel met zich meebrengt.

- Reiniging en gebruikersonderhoud mogen niet door kinderen zonder begeleiding worden uitgevoerd.
- Kinderen mogen niet met het toestel spelen.
- Er moet toezicht worden gehouden op kinderen, zodat ze niet met toestel gaan spelen.
- Bewaar en gebruik het toestel buiten het bereik van kinderen onder 8 jaar.
- Bewaar geen explosiegevaarlijke stoffen, zoals spuitbussen met brandbaar drijfgas, in het toestel.

**VOORZICHTIG!**

- Scheid het toestel van het net
  - voor iedere reiniging en ieder onderhoud
  - na elk gebruik
- Levensmiddelen mogen alleen in de originele verpakkingen of geschikte bakken worden opgeslagen.

**LET OP!**

- Vergelijk de spanning op het typeplaatje met de voorhanden energievoorziening.
- Sluit het toestel alleen als volgt aan:
  - met de DC-aansluitkabel aan een DC-stopcontact in het voertuig (bijv. sigarettenaansteker)
  - of met de AC-aansluitkabel op het wisselstroomnet
- Trek de stekker nooit aan de aansluitkabel uit het stopcontact.
- Als het koeltoestel aan de DC-contactdoos is aangesloten: Klem uw koeltoestel en andere verbruikers van de accu af voor u een snellader aansluit.
- Als het koeltoestel aan de DC-contactdoos is aangesloten: Verbreek de verbinding of schakel het koeltoestel uit, als u de motor uitschakelt. Anders kan de accu worden ontladen.
- Het koeltoestel is niet geschikt voor het transport van bijtende of oplosmiddelhoudende stoffen.
- Deze koeltoestel bevat in de isolering brandbaar cyclopentaan. De gassen in het isoleringsmateriaal vereisen een bijzonder afvoerproces. Voer het apparaat aan het einde van zijn levensduur af volgens de voorschriften.

## 2.2 Veiligheid bij het gebruik van het toestel



### VOORZICHTIG!

- Let er voor de ingebruikneming op dat de voedingskabel en de stekker droog zijn.



### LET OP!

- Gebruik geen elektrische toestellen binnen de koeltoestel, behalve als deze toestellen daarvoor door de fabrikant worden aanbevolen.
- Zet het toestel niet in de buurt van open vlammen of andere warmtebronnen (verwarming, sterke zonnestraling, gasovens enz.).
- **Oververhittingsgevaar!**  
Let er altijd op dat de warmte, die bij het bedrijf ontstaat, goed afgevoerd kan worden. Zorg ervoor, dat het toestel op voldoende afstand tot wanden en voorwerpen staat, zodat de lucht kan circuleren.
- Let erop dat de ventilatiesleuven niet worden afgedekt.
- Doe geen vloeistoffen of ijs in het binnenreservoir.
- Dompel het toestel nooit onder water.
- Bescherm het toestel en de kabels tegen hitte en vocht.

## 3 Omvang van de levering

| Aantal | Omschrijving               |
|--------|----------------------------|
| 1      | Compressorkoelbox          |
| 1      | Gelijkstroom-aansluitkabel |
| 1      | Wisselstroom-aansluitkabel |
| 1      | Gebruiksaanwijzing         |

## 4 Gebruik volgens de voorschriften

De compressorkoelbox is geschikt voor het koelen en bevriezen van levensmiddelen. De compressorkoelbox is ook geschikt voor gebruik op boten.

De compressorkoelbox is bestemd voor het gebruik op een gelijkstroom-contactdoos van een voertuig, boot of camper en op een wisselstroomnet.



### **VOORZICHTIG! Gevaar voor de gezondheid!**

Controleer of het koelvermogen van het toestel voldoet aan de eisen van de levensmiddelen of geneesmiddelen die u wilt koelen.

## **5 Beschrijving van de werking**

De koelbox kan waren afkoelen, koel houden en diepvriezen.

De koeling gebeurt door een onderhoudsvrij koelcircuit met compressor. De extra sterke isolatie en de krachtige compressor garanderen een bijzonder snelle koeling.

De koelbox is geschikt voor mobiel gebruik.

Bij het gebruik op boten kan de koelbox aan een permanente helling van 30° worden blootgesteld.

### **5.1 Omvang functies**

- Drietraps accubewaker ter beveiliging van de voertuigaccu
- Display met temperatuurindicatie, wordt bij lage accuspanning automatisch uitgeschakeld
- Temperatuurinstelling: met twee toetsen in stappen van 1 °C (2 °F)

### **5.2 Bedienings- en indicatie-elementen**

Vergrendeling van het deksel: afb. **1** 1, pagina 2

Bedieningspaneel (afb. **2**, pagina 2)

| Pos. | Omschrijving | Verklaring   |
|------|--------------|--|
| 1    | ON<br>OFF    | Schakelt de koelbox in of uit als de toets één tot twee seconden wordt ingedrukt |

| Pos. | Omschrijving | Verklaring   |
|------|--------------|--|
| 2    | POWER        | Bedrijfsindicatie<br>LED brandt groen: compressor is aan<br>LED brandt oranje: compressor is uit<br>LED knippert oranje: Display is automatisch uitgeschakeld, omdat accuspanning te laag is |
| 3    | ERROR        | LED knippert rood: ingeschakeld toestel is niet klaar voor gebruik   |
| 4    | SET          | Kiest de invoermodus<br>– temperatuurinstelling<br>– aanduiding van °Celsius of °Fahrenheit<br>– accubewaker instellen   |
| 5    | –            | Display, geeft de waarden weer   |
| 6    | „+”          | Eén keer aantippen verhoogt de gekozen invoerwaarde  |
| 7    | „-”          | Eén keer aantippen verlaagt de gekozen invoerwaarde  |

### Aansluitingen (afb. 3, pagina 2):

| Pos. | Omschrijving                              |
|------|---|
| 1    | Aansluitbussen wisselspanningsvoorziening |
| 2    | Zekeringhouder                            |
| 3    | Afdekking wisselstroombus                 |
| 4    | Afdekking gelijkstroombus                 |
| 5    | Aansluitbussen gelijkspanningsvoorziening |

## 6 Bediening

### 6.1 Voor het eerste gebruik



#### **INSTRUCTIE**

Voor u de nieuwe koelbox in gebruik neemt, moet u hem om hygiënische redenen van binnen en van buiten reinigen met een vochtige doek (zie ook hoofdstuk „Reiniging en onderhoud” op pagina 94).



## Temperatuureenheid kiezen

U kunt voor de temperatuurindicatie tussen de waarden voor °Celsius en °Fahrenheit kiezen. Ga hiervoor als volgt te werk:

- Schakel de koelbox in.
  - Druk twee keer op de toets „SET”.
  - Stel met de toetsen „+” resp. „-”, de temperatuureenheid °Celsius of °Fahrenheit in.
- ✓ Het display geeft voor enkele seconden de ingestelde temperatuureenheid weer. Het display knippert een paar keer, voordat de weergave van de actuele temperatuur weer verschijnt.

## 6.2 Tips om energie te besparen

- Kies een goed geventileerde en tegen zonnestralen beschermde plaats.
- Laat warme spijzen eerst afkoelen, voordat u ze in het toestel koel houdt.
- Open het koeltoestel niet vaker dan nodig.
- Laat het koeltoestel niet langer open dan nodig is.
- Ontdooi de koelbox zodra er zich een ijslaag gevormd heeft.
- Vermijd een onnodig lage binnentemperatuur.

### 6.3 Koelbox aansluiten

Het koelapparaat kan met gelijkstroom of wisselstroom worden gebruikt.



**LET OP! Gevaar voor beschadiging van het toestel!**

Koppel de koelbox en andere verbruikers van de accu los, voordat u de accu met een snellader oplaadt.

Overspanningen kunnen de elektronica van de toestellen beschadigen.

Voor de veiligheid is de koelbox met een elektronische beveiliging tegen verkeerd polen uitgerust, die de koelbox tegen verkeerd polen bij de accu-aansluiting en tegen kortsluiting beschermt.

- Steek de gelijkstroomaansluitkabel in de gelijkstroombus en sluit deze aan op een gelijkstroomcontactdoos of ...
- ... steek de wisselstroomaansluitkabel in de wisselstroombus en sluit deze aan op een wisselstroomcontactdoos.
- Sluit de afdekkingen van de niet-gebruikte bussen om onbedoeld aanraken van de bussen te voorkomen. Dit voorkomt bovendien dat stof, water en vuil in de bus binnendringt.

### 6.4 Accumeter gebruiken

Het koelapparaat is uitgerust met een meertrapse accumonitor die de voertuigaccu bij aansluiting op het gelijkstroomnet beschermt tegen te diepe ontlading.

Als de koelbox bij uitgeschakeld contact in het voertuig wordt gebruikt, schakelt de box automatisch uit zodra de voedingsspanning daalt onder een ingestelde waarde. De koelbox schakelt weer in zodra door oplading van de accu de herinschakelspanning is bereikt.



**LET OP! Gevaar voor beschadiging!**

De accu beschikt bij het uitschakelen door de accumeter niet meer over de volledige laadcapaciteit. Vermijd veelvuldig starten of het gebruik van stroomverbruikers zonder lange laadfasen. Zorg ervoor dat de accu weer geladen wordt.

In de stand „HIGH” wordt de accumeter sneller geactiveerd dan in de standen „LOW” en „MED” (zie volgende tabel).

| Accumeter-modus               | LOW    | MED    | HIGH   |
|-------------------------------|--------|--------|--------|
| Uitschakelspanning bij 12 V   | 10,1 V | 11,4 V | 11,8 V |
| Herinschakelspanning bij 12 V | 11,1 V | 12,2 V | 12,6 V |
| Uitschakelspanning bij 24 V   | 21,5 V | 24,1 V | 24,6 V |
| Herinschakelspanning bij 24 V | 23,0 V | 25,3 V | 26,2 V |

Om de modus voor de accubewaker te wijzigen, gaat u als volgt te werk:

- ▶ Schakel de koelbox in.
- ▶ Druk drie keer op de toets „SET”.
- ▶ Stel met de toetsen „+” resp. „-”, de modus voor de accubewaker in.
- ✓ Het display geeft voor enkele seconden de ingestelde modus weer. Het display knippert een paar keer, voordat de weergave van de actuele temperatuur weer verschijnt.



#### **INSTRUCTIE**

Als de koelbox wordt gevoed door de starteraccu, kiest u de accumeter-modus „HIGH”. Als de koelbox is aangesloten op een voedingsaccu, is de accumeter-modus „LOW” voldoende.

## 6.5 Koelbox gebruiken



#### **LET OP! Oververhittingsgevaar!**

Let er altijd op dat de warmte, die bij het gebruik ontstaat, goed afgevoerd kan worden. Let erop dat de ventilatiesleuven niet worden afgedekt. Zorg ervoor, dat het toestel op voldoende afstand tot wanden en voorwerpen staat, zodat de lucht kan circuleren.

- ▶ Plaats de koelbox op een vaste ondergrond.  
Let erop dat de ventilatiesleuven niet zijn afgedekt en de verwarmde lucht goed kan wegtrekken.



#### **INSTRUCTIE**

Stel de koelbox zoals weergegeven op (afb. **4**, pagina 3). Als de box in een andere positie gebruikt wordt, kan dit schade aan het toestel veroorzaken.

- Sluit de koelbox aan, zie hoofdstuk „Koelbox aansluiten” op pagina 90.

**LET OP! Gevaar door te lage temperatuur!**

Zorg ervoor dat er zich alleen voorwerpen of waren in de koelbox bevinden die op de gekozen temperatuur gekoeld mogen worden.

- Druk één tot twee seconden op de toets „ON/OFF”.
- ✓ De LED „POWER” brandt.
- ✓ Het display wordt ingeschakeld en geeft de actuele koeltemperatuur weer.

**INSTRUCTIE**

De weergegeven temperatuur heeft betrekking op het midden van de binnenruimte. De temperatuur op andere plekken kan daarvan afwijken.

- ✓ De koelbox start met het koelen van de binnenruimte.

**INSTRUCTIE**

Bij het bedrijf aan een accu schakelt het display automatisch uit als de accuspanning te laag is. De LED „POWER” knippert oranje.

## 6.6 Deksel van koelapparaat vergrendelen

- Til de vergrendeling (afb. **1** 1, pagina 2) op en sluit de deksel.
- Laat de vergrendeling los.
- ✓ Het koelapparaat wordt hoorbaar vergrendeld.

## 6.7 Temperatuur instellen

- Druk één keer op de toets „SET”.
- Stel met de toetsen „+” resp. „-” de koeltemperatuur in.
- ✓ Het display geeft gedurende enkele seconden de ingestelde gewenste koeltemperatuur weer. Het display knippert een paar keer, voordat de weergave van de actuele temperatuur weer verschijnt.

## 6.8 Koelbox uitschakelen

- Leeg de koelbox.
- Schakel de koelbox uit.
- Trek de aansluitkabel uit het stopcontact.

Als u de koelbox gedurende langere tijd niet wilt gebruiken:

- Laat het deksel licht geopend. Zo verhindert u geurvorming.

## 6.9 Koelbox ontdooien

Luchtvochtigheid kan zich op de verdamper of in de binnenruimte van de koelbox als rijp afzetten, waardoor het koelvermogen verminderd wordt. Ontdooi het toestel tijdig.



***LET OP! Bevaar voor beschadiging van het toestel!***

Gebruik nooit hard of spits gereedschap voor het verwijderen van ijslagen of het losmaken van vastgevroren voorwerpen.

Ga als volgt te werk om de koelbox te ontdooien:

- neem de waren eruit.
- bewaar deze evt. in een ander koeltoestel zodat ze koud blijven.
- schakel het toestel eerst uit.
- laat het deksel open.
- veeg het dooiwater weg.

## 6.10 Zekering vervangen

- Vervang de zekering (8 A 32 V) zoals weergegeven (afb. **4**, pagina 3).

## 7 Reiniging en onderhoud

**WAARSCHUWING!**

Scheid voor elke reiniging en verzorging het toestel van het net.

***LET OPI! Gevaar voor beschadiging!***

- Reinig het koeltoestel nooit onder stromend water of in afwaswater.
- Gebruik voor het reinigen geen bijtende schoonmaakmiddelen of harde voorwerpen, aangezien het koeltoestel hierdoor beschadigd zou kunnen raken.

- Reinig het toestel van binnen en buiten af en toe met een vochtige doek.
- Zorg ervoor dat de ventilatieopeningen van het toestel vrij zijn van stof en verontreinigingen, zodat de bij het gebruik ontstane warmte kan worden afgevoerd en het toestel niet beschadigd raakt.

## 8 Garantie

De wettelijke garantieperiode is van toepassing. Als het product defect is, wendt u zich tot het filiaal van de fabrikant in uw land (adressen zie achterkant van de handleiding) of tot uw speciaalzaak.

Voor de afhandeling van de reparatie of garantie dient u de volgende documenten mee te sturen:

- een kopie van de factuur met datum van aankoop,
- reden van de klacht of een beschrijving van de storing.

## 9 Verhelpen van storingen

| Storing   | Mogelijke oorzaak  | Voorstel tot oplossing  |
|---|--|---|
| Het koelapparaat werkt niet, LED „POWER” brandt niet.   | Aan de gelijkstroomcontactdoos in het voertuig is geen spanning.   | In de meeste voertuigen moet de contactschakelaar ingeschakeld zijn om de gelijkstroomcontactdoos van spanning te voorzien.                             |
| Het toestel koelt niet (stekker is in het stopcontact, LED „POWER” brandt).   | Compressor defect.   | De reparatie kan alleen door een geautoriseerd servicebedrijf uitgevoerd worden.  |
| Het toestel koelt niet (stekker zit in het stopcontact, LED „POWER” knippert oranje, display is uitgeschakeld).                         | Accuspanning onvoldoende.  | Controleer de accu en laadt hem indien nodig.   |
| Bij het gebruik aan de gelijkstroomcontactdoos: Het contact is ingeschakeld, het koelapparaat werkt niet en de LED „POWER” brandt niet. | De fitting van de gelijkstroomcontactdoos is vervuild. Dit heeft een slecht elektrisch contact tot gevolg. | Als de stekker in de gelijkstroomcontactdoos zeer warm wordt, moet ofwel de fitting worden gereinigd of is de stekker eventueel niet goed samengebouwd. |
|   | De zekering van de gelijkstroomstekker is doorgebrand.   | Vervang de zekering (8 A) van de gelijkstroomstekker, zie hoofdstuk „Zekering vervangen” op pagina 93   |
|   | De voertuigzekering is doorgebrand.  | Vervang de voertuigzekering van het 12/24-V-stopcontact (doorgaans 15 A) (neem hiervoor de gebruiksaanwijzing van uw voertuig in acht).                 |
| Het display geeft een foutmelding (bijv. „Err1”) weer en het toestel koelt niet.  | Een interne bedrijfsstoring heeft het toestel uitgeschakeld.   | Vervang de voertuigzekering van de gelijkstroomcontactdoos (normaal 15 A) (neem hiervoor de bedieningshandleiding van uw voertuig in acht).             |

## 10 Afvoer

- Laat het verpakkingsmateriaal indien mogelijk recyclen.



Als u het product definitief buiten bedrijf stelt, informeer dan bij het dichtstbijzijnde recyclingcentrum of uw specialzaak naar de betreffende afvoervorschriften.

# 11 Technische gegevens

|                              | FR34 AC/DC   | FR40 AC/DC                               |
|------------------------------|--|--|
| Artikelnr.:                  | 9600000537   | 9105330192                               |
| Netspanning:                 | 12/24 V===<br>100 – 240 V~, 50/60 Hz   |  |
| Opgenomen vermogen:          | 4 A (12 V===)<br>2 A (24 V===)<br>1,0 – 0,4 A (100 – 240 V~)                         |  |
| Koelvermogen:                | +10 °C tot –10 °C<br>(+50 °F tot +14 °F)   | +10 °C tot –10 °C<br>(+50 °F tot +14 °F) |
| Categorie:                   | Categorie 1<br>(koelkast met een of meerdere opbergvakken voor verse levensmiddelen) |  |
| Brutoinhoud:                 | 32,5 l   | 40 l                                     |
| Nuttige inhoud:              | 31,0 l   | 38 l                                     |
| Energie-efficiëntieklasse:   | A++  | A++                                      |
| Energieverbruik:             | 51 kWh/annum   |  |
| Klimaatklasse:               | N  |  |
| Omgevingstemperatuur:        | +16 °C tot +32 °C  |  |
| Geluidsemissie:              | 49 dB(A)   |  |
| Koelmiddelhoeveelheid:       | 45 g   | 42 g                                     |
| CO <sub>2</sub> -equivalent: | 0,064 t  | 0,060 t                                  |
| Afmetingen (l x b x h):      | 584 x 365 x 407 mm   | 584 x 365 x 446 mm                       |
| Gewicht:                     | 11,4 kg  | 11,5 kg                                  |



## **INSTRUCTIE**

Bij omgevingstemperaturen van meer dan +32 °C (+90 °F) kan de minimale temperatuur niet meer worden bereikt.



Keurmerk/certificaten:



Het koelcircuit bevat R134a.

Bevat gefluoreerde broeikasgassen

Hermetisch afgesloten apparatuur

Læs denne vejledning omhyggeligt igennem før ibrugtagning, og gem den. Giv den til brugeren, hvis du giver apparatet videre.

Producenten hæfter ikke for skader, der er forårsaget af **ukorrekt brug** eller **forkert betjening**.

## Indholdsfortegnelse

|           |   |     |
|-----------|---|-----|
| <b>1</b>  | <b>Forklaring af symbolerne</b> .....         | 99  |
| <b>2</b>  | <b>Sikkerhedshenvisninger</b> .....           | 99  |
| 2.1       | Generel sikkerhed .....                       | 99  |
| 2.2       | Sikkerhed under anvendelse af apparatet ..... | 101 |
| <b>3</b>  | <b>Leveringsomfang</b> .....                  | 101 |
| <b>4</b>  | <b>Korrekt brug</b> .....                     | 101 |
| <b>5</b>  | <b>Funktionsbeskrivelse</b> .....             | 102 |
| 5.1       | Funktionsomfang .....                         | 102 |
| 5.2       | Betjenings- og visningselementer .....        | 103 |
| <b>6</b>  | <b>Betjening</b> .....                        | 104 |
| 6.1       | Før første brug .....                         | 104 |
| 6.2       | Tips til energibesparelse .....               | 104 |
| 6.3       | Tilslutning af køleboksen .....               | 105 |
| 6.4       | Anvendelse af batteriovervågningen .....      | 105 |
| 6.5       | Anvendelse af køleboksen .....                | 106 |
| 6.6       | Låsning af køleapparatets låg .....           | 107 |
| 6.7       | Indstilling af temperaturen .....             | 107 |
| 6.8       | Frakobling af køleboksen .....                | 108 |
| 6.9       | Afrimning af køleboksen .....                 | 108 |
| 6.10      | Udskiftning af sikringen .....                | 108 |
| <b>7</b>  | <b>Rengøring og vedligeholdelse</b> .....     | 109 |
| <b>8</b>  | <b>Garanti</b> .....                          | 109 |
| <b>9</b>  | <b>Udbedring af fejl</b> .....                | 110 |
| <b>10</b> | <b>Bortskaffelse</b> .....                    | 110 |
| <b>11</b> | <b>Tekniske data</b> .....                    | 111 |

# 1 Forklaring af symbolerne

**ADVARSEL!**

**Sikkerhedshenvisning:** Manglende overholdelse kan medføre død eller alvorlig kvæstelse.

**FORSIGTIG!**

**Sikkerhedshenvisning:** Manglende overholdelse kan medføre kvæstelser.

**VIGTIGT!**

Manglende overholdelse kan medføre materielle skader og begrænse produktets funktion.

**BEMÆRK**

Supplerende informationer om betjening af produktet.

## 2 Sikkerhedshenvisninger

### 2.1 Generel sikkerhed

**ADVARSEL!**

- Hvis apparatet har synlige beskadigelser, må du ikke tage det i brug.
- Hvis dette apparats tilslutningskabel beskadiges, skal det udskiftes af producenten, dennes kundeservice eller en lignende kvalificeret person for at undgå farer.
- Reparationer på dette apparat må kun foretages af fagfolk. Ved ukorrekte reparationer kan der opstå betydelige farer.
- Dette apparat kan anvendes af børn over 8 år og derudover af personer med begrænsede fysiske, sans- eller mentale evner eller uden erfaring og/eller viden, hvis de er under opsyn eller blev instrueret i sikker brug af apparatet og forstår farerne, der følger heraf.
- Rengøring og brugerens vedligeholdelse må ikke udføres af børn uden opsyn.
- Børn må ikke lege med apparatet.

- Børn bør være under opsyn for at sikre, at de ikke leger med apparatet.
- Opbevar og anvend apparatet uden for børns rækkevidde (under 8 år).
- Opbevar ikke eksplosive stoffer, som f.eks. spraydåser med drivgas, i apparatet.

**FORSIGTIG!**

- Afbryd apparatet fra nettet
  - før rengøring og vedligeholdelse
  - efter brug
- Levnedsmidler må kun opbevares i original emballage eller egnede beholdere.

**VIGTIGT!**

- Sammenlign spændingsangivelsen på typeskiltet med energiforsyningen, der er til rådighed.
- Tilslut kun apparatet på følgende måde:
  - Til en DC-stikdåse i køretøjet (f.eks. cigarettænder) med DC-tilslutningskablet
  - Eller til vekselstrømnettet med AC-tilslutningskablet
- Træk aldrig stikket ud af stikdåsen med tilslutningskablet.
- Når køleapparatet er tilsluttet til DC-stikdåsen: Afbryd køleapparatet og andre forbrugere fra batteriet, før du tilslutter hurtigopladeren.
- Når køleapparatet er tilsluttet til DC-stikdåsen: Afbryd forbindelsen, eller slå køleapparatet fra, når motoren standses. I modsat fald kan batteriet blive afladet.
- Køleapparatet er ikke egnet til transport af stoffer, der er ætsende eller indeholder opløsningsmidler.
- Dette køleapparatet indeholder brændbart cyklopentan i isoleringen. Gasserne i isoleringsmaterialet kræver en særlig bortskaffelsesmetode. Aflevér apparatet til korrekt bortskaffelse ved afslutningen af dets levetid.

## 2.2 Sikkerhed under anvendelse af apparatet



### FORSIGTIG!

- Kontrollér før ibrugtagning, at ledningen og stikket er tørre.



### VIGTIGT!

- Anvend ikke elektriske apparater i køleapparatet, undtagen hvis producenten anbefaler disse apparater hertil.
- Stil ikke apparatet i nærheden af åben ild eller andre varmekilder (varmeapparater, stærk sol, gasovne osv.).
- **Fare for overophedning!**  
Sørg altid for, at varme, der opstår under driften, kan føres tilstrækkeligt bort. Sørg for, at apparatet har tilstrækkelig afstand til vægge og genstande, så luften kan cirkulere.
- Ventilationsåbningerne må ikke tildækkes.
- Fyld ikke væsker eller is i den indvendige beholder.
- Dyb aldrig apparatet i vand.
- Beskyt apparatet og kablerne mod varme og fugtighed.

## 3 Leveringsomfang

| Mængde | Betegnelse                    |
|--------|-------------------------------|
| 1      | Kompressor-køleboks           |
| 1      | Jævnstrøms tilslutningskabel  |
| 1      | Vekselstrøm-tilslutningskabel |
| 1      | Betjeningsvejledning          |

## 4 Korrekt brug

Kompressor-køleboksen egner sig til at køle og fryse levnedsmidler. Kompressor-kompressoren er også egnet til anvendelse på både.

Kompressor-køleboksen er beregnet til tilslutning til jævnstrømsstikdåsen i et køretøj, en båd eller autocamper eller til et vekselstrømsstikdåse.

**FORSIGTIG! Sundhedsfare!**

Kontrollér, om apparatets kølekapacitet svarer til kravene for fødevarerne eller lægemidlerne, som du vil køle.

## 5 Funktionsbeskrivelse

Køleboksen kan afkøle varer og holde varer kolde samt dybfryse dem.

Afkølingen foretages med et vedligeholdelsesfrit kølekredsløb med kompressor. Den ekstrakraftige isolering og den effektive kompressor sikrer en særlig hurtig afkøling.

Køleboksen er egnet til mobil anvendelse.

Hvis køleboksen anvendes på både, kan det udsættes for en konstant hældning på 30°.

### 5.1 Funktionsomfang

- Tretrins batteriovervågning til beskyttelse af køretøjets batteri
- Display med temperaturvisning, frakobles automatisk ved lav batterispænding
- Temperaturindstilling: Med to taster i 1 °C (2 °F)-trin

## 5.2 Betjenings- og visningselementer

Låsning af låget: fig. **1** 1, side 2

Betjeningsfelt (fig. **2**, side 2)

| Pos. | Betegnelse | Forklaring  |
|------|------------|---|
| 1    | ON<br>OFF  | Tænder eller slukker køleboksen, når der trykkes på tasten i et til to sekunder   |
| 2    | POWER      | Driftsindikator<br>Lysdioden lyser grønt: Kompressoren er tændt<br>Lysdioden lyser orange: Kompressoren er slukket<br>Lysdioden blinker orange: Display blev frakoblet automatisk, fordi batterispændingen er lav |
| 3    | ERROR      | Lysdioden blinker rødt: Det tændte apparat er ikke driftsklart.   |
| 4    | SET        | Vælger indtastningsmodusen<br>– temperaturindstilling<br>– angivelse af °celsius eller °fahrenheit<br>– indstilling af batteriovervågning   |
| 5    | –          | Display, viser værdierne  |
| 6    | „+“        | Et tryk forøger den valgte indtastningsværdi  |
| 7    | „-“        | Et tryk reducerer den valgte indtastningsværdi  |

Tilslutninger (fig. **3**, side 2):

| Pos. | Betegnelse                                   |
|------|--|
| 1    | Tilslutningsbøsning vekselspændingsforsyning |
| 2    | Sikringsholder                               |
| 3    | Afdækning vekselstrømsbøsning                |
| 4    | Afdækning jævnstrømsbøsning                  |
| 5    | Tilslutningsbøsning jævnspændingsforsyning   |

## 6 Betjening

### 6.1 Før første brug

**BEMÆRK**

Før du tager den nye køleboks i brug, bør du af hygiejniske årsager rengøre den indvendigt og udvendigt med en fugtig klud (se også kapitlet „Rengøring og vedligeholdelse“ på side 109).

#### Valg af temperaturenhed

Til temperaturvisningen kan der vælges mellem værdierne for °celsius og °fahrenheit. Gå frem på følgende måde:

- Tænd for køleboksen.
- Tryk to gange på tasten „SET“.
- Indstil temperaturenheden °celsius eller °fahrenheit med tasterne „+“ eller „-“.
- ✓ Displayet viser den indstillede temperaturenhed i et par sekunder. Displayet blinker et par gange, før det skifter tilbage til visning af den aktuelle temperatur.

### 6.2 Tips til energibesparelse

- Vælg et anvendelsessted, der er godt ventileret og beskyttet mod sol.
- Lad først varm mad afkøle, før du holder den kold i apparatet.
- Åbn ikke køleapparatet hyppigere end nødvendigt.
- Lad ikke køleapparatet forblive åbent længere end nødvendigt.
- Afrim køleboksen, så snart der har dannet sig et islag.
- Undgå unødigt lav indvendig temperatur.



### 6.3 Tilslutning af køleboksen

Køleapparatet kan anvendes med jævnstrøm eller vekselstrøm.

**VIGTIGT! Fare for skader på apparatet!**

Afbryd køleboksen og andre forbrugere fra batteriet, før du oplader batteriet med en hurtigoplader.

Overspænding kan beskadige apparatets elektronik.

Af sikkerhedsmæssige årsager er køleboksen udstyret med en elektronisk polbeskyttelse, der beskytter køleboksen mod forkert polforbindelse ved tilslutning til batterier og mod kortslutning.

- Sæt jævnstrømstilslutningskablet i jævnstrømsbøsningen, og tilslut det til en jævnstrømsstikdåse eller ...
- ... sæt vekselstrømstilslutningskablet i vekselstrømsbøsningen, og tilslut det til en vekselstrømsstikdåse.
- Luk afdækningerne til bøsninger, som ikke anvendes, for at udelukke, at bøsningerne berøres utilsigtet. Der forhindrer derudover, at der trænger støv, vand og snavs ind i bøsningen.

### 6.4 Anvendelse af batteriovervågningen

Køleapparatet er udstyret med en flertrins batteriovervågning, der beskytter køretøjets batteri mod for kraftig afladning ved tilslutning til køretøjets jævnstrømsnet.

Hvis køleboksen anvendes i køretøjet, når tændingen er slået fra, frakobles boksen automatisk, når forsyningsspændingen kommer under en indstillelig værdi. Køleboksen tilkobles igen, når batteriet er opladet og gentilkoblings-spændingen nået.

**VIGTIGT! Fare for beskadigelse!**

Batteriet har ikke mere sin fulde ladekapacitet, når det frakobles af batteriovervågningen. Undgå at starte flere gange og at anvende strømforbrugere uden længere opladningsfaser. Sørg for, at batteriet oplades igen.

I modusen „HIGH“ reagerer batteriovervågningen hurtigere end på trinnene „LOW“ og „MED“ (se følgende tabel).

| Batteriovervågningsmodus        | LOW    | MED    | HIGH   |
|---------------------------------|--------|--------|--------|
| Frakoblingsspænding ved 12 V    | 10,1 V | 11,4 V | 11,8 V |
| Gentilkoblingsspænding ved 12 V | 11,1 V | 12,2 V | 12,6 V |
| Frakoblingsspænding ved 24 V    | 21,5 V | 24,1 V | 24,6 V |
| Gentilkoblingsspænding ved 24 V | 23,0 V | 25,3 V | 26,2 V |

Gå frem på følgende måde for at skifte modusen til batteriovervågningen:

- ▶ Tænd for køleboksen.
  - ▶ Tryk tre gange på tasten „SET“.
  - ▶ Indstil modusen for batteriovervågningen med tasterne „+“ eller „-“.
- ✓ Displayet viser den indstillede modus i et par sekunder. Displayet blinker et par gange, før det skifter tilbage til visning af den aktuelle temperatur.



### **BEMÆRK**

Hvis køleboksen forsynes fra startbatteriet, skal batteriovervågningsmodusen „HIGH“ vælges. Hvis køleboksen er tilsluttet til et forsyningsbatteri, er batteriovervågningsmodusen „LOW“ tilstrækkelig.

## 6.5 Anvendelse af køleboksen



### **VIGTIGT! Fare for overophedning!**

Sørg altid for, at varme, der opstår under driften, kan føres tilstrækkeligt bort. Ventilationsåbningerne må ikke tildækkes. Sørg for, at apparatet har tilstrækkelig afstand til vægge og genstande, så luften kan cirkulere.

- ▶ Stil køleboksen på et fast underlag. Sørg for, at ventilationsåbningerne ikke er tildækkede, og den opvarmede luft kan slippe bort.



### **BEMÆRK**

Opstil køleboksen som vist (fig. 4, side 3). Hvis boksen anvendes i en anden position, kan apparatet tage skade.

- Tilslut køleboksen, se kapitlet „Tilslutning af køleboksen“ på side 105.

**VIGTIGT! Fare på grund af for lav temperatur!**

Sørg for, at der kun er genstande eller varer i køleboksen, der må afkøles til den valgte temperatur.

- Tryk på tasten „ON/OFF“ i et til to sekunder.
- ✓ Lysdioden „POWER“ lyser.
- ✓ Displayet tændes og viser den aktuelle køletemperatur.

**BEMÆRK**

Den viste temperatur er baseret på midten af det indvendige rum. Temperaturen andre steder kan afvige fra denne.

- ✓ Køleboksen starter med at køle det indvendige rum.

**BEMÆRK**

Ved tilslutning til et batteri frakobles displayet automatisk, hvis batterispændingen er lav. Lysdioden „POWER“ blinker orange.

## 6.6 Låsning af køleapparatets låg

- Løft låsen (fig. **1** 1, side 2), og luk låget.
- Slip låsen.
- ✓ Det kan høres, at låsen går i indgreb og låser køleapparatet.

## 6.7 Indstilling af temperaturen

- Tryk en gang på tasten „SET“.
- Indstil køletemperaturen med tasterne „+“ eller „-“.
- ✓ Displayet viser i et par sekunder den indstillede ønskede køletemperatur. Displayet blinker et par gange, før det skifter tilbage til visning af den aktuelle temperatur.

## 6.8 Frakobling af køleboksen

- Tøm køleboksen.
- Slå køleboksen fra.
- Træk tilslutningskablet ud.

Hvis du ikke vil anvende køleboksen i længere tid:

- Lad låget stå lidt åbent. På den måde forhindrer du, at der opstår lugtgener.

## 6.9 Afrimning af køleboksen

Luftfugtighed kan sætte sig som rim på fordampere eller i køleboksens indvendige rum og derved reducere kølekapaciteten. Afrim apparatet rettidigt.



### **VIGTIGT! Fare for skader på apparatet!**

Anvend aldrig hårdt eller spidst værktøj til at fjerne islag eller til at løsne fastfrosne genstande.

Gå frem på følgende måde for at afrime køleboksen:

- Tag indholdet ud.
- Opbevar det evt. i et andet køleapparat, så det forbliver koldt.
- Sluk for apparatet.
- Lad låget stå åbent.
- Tør vandet op.

## 6.10 Udskiftning af sikringen

- Udskift sikringen (8 A, 32 V) som vist (fig. **4**, side 3).

## 7 Rengøring og vedligeholdelse

**ADVARSEL!**

Afbryd før rengøring og vedligeholdelse apparatet fra nettet.

**VIGTIGT! Fare for beskadigelse!**

- Rengør aldrig køleapparatet under rindende vand eller i opvaskevand.
- Anvend ikke skrappe rengøringsmidler eller hårde genstande ved rengøringen, da de kan beskadige køleapparatet.

- Rengør af og til apparatet indvendigt og udvendigt med en fugtig klud.
- Sørg for, at apparatets ventilations- og udluftningsåbninger er fri for støv og urenheder, så varmen, der opstår under driften, kan ledes bort, og apparatet ikke tager skade.

## 8 Garanti

Den lovbestemte garantiperiode gælder. Hvis produktet er defekt, skal du kontakte producentens afdeling i dit land (adresser, se vejledningens bagside) eller din forhandler.

Ved reparation eller krav om garanti skal du medsende følgende bilag:

- En kopi af regningen med købsdato
- En reklamerationsgrund eller en fejlbeskrivelse

## 9 Udbedring af fejl

| Fejl  | Mulig årsag  | Løsningsforslag   |
|---|--|---|
| Køleapparatet fungerer ikke, lysdioden „POWER“ lyser ikke.  | Der er ikke strøm på jævnstrømsstikdåsen i køretøjet.  | I de fleste køretøjer skal tændingen være slået til, for at jævnstrømsstikdåsen har spænding.   |
| Apparatet køler ikke (stikket er sat i, lysdioden „POWER“ lyser).   | Kompressor defekt.   | Reparationen kan kun foretages af en tilladt kundeservice.  |
| Apparatet køler ikke (stikket er sat i, lysdioden „POWER“ blinker orange, display er slukket).                                    | Batterispændingen ikke tilstrækkelig.  | Kontrollér batteriet, og oplad det i givet fald.  |
| Ved tilslutning til jævnstrømsstikdåsen:<br>Tændingen er slået til, køleapparatet fungerer ikke, og lysdioden „POWER“ lyser ikke. | Jævnstrømsstikdåsens fatning er snavset.<br>Konsekvensen er en dårlig elektrisk forbindelse. | Hvis stikket bliver meget varmt i jævnstrømsstikdåsens fatning, skal fatningen enten rengøres, eller stikket er muligvis ikke samlet rigtigt. |
|   | Jævnstrømsstikkets sikring er brændt over.   | Udskift jævnstrømsstikkets sikring (8 A), se kapitlet „Udskiftning af sikringen“ på side 108  |
|   | Køretøjets sikring er brændt over.   | Udskift køretøjets sikring til jævnstrømsstikdåsen (normalt 15 A) (se køretøjets betjeningsvejledning).                                       |
| Displayet viser en fejlmeddeling (f.eks. „Err1“), og apparatet køler ikke.  | En intern driftsfejl har frakoblet apparatet.  | Reparationen kan kun foretages af en tilladt kundeservice.  |

## 10 Bortskaffelse

- Bortskaf så vidt muligt emballagen sammen med det tilsvarende genbrugsaffald.



Hvis du tager produktet endegyldigt ud af drift, skal du kontakte det nærmeste recyclingcenter eller din faghandel for at få de pågældende forskrifter om bortskaffelse.

# 11 Tekniske data

|                              | FR34 AC/DC  | FR40 AC/DC                               |
|------------------------------|---|--|
| Artikelnr.:                  | 9600000537  | 9105330192                               |
| Tilslutningsspænding:        | 12/24 V===<br>100 – 240 V~, 50/60 Hz  |  |
| Effektforbrug:               | 4 A (12 V===)<br>2 A (24 V===)<br>1,0 – 0,4 A (100 – 240 V~)                        |  |
| Kølekapacitet:               | +10 °C til –10 °C<br>(+50 °F til +14 °F)  | +10 °C til –10 °C<br>(+50 °F til +14 °F) |
| Kategori:                    | Kategori 1<br>(køleskab med et eller flere opbevaringsrum til friske levnedsmidler) |  |
| Bruttoindhold:               | 32,5 l  | 40 l                                     |
| Nettoindhold:                | 31,0 l  | 38 l                                     |
| Energieffektivitetsklasse:   | A++   | A++                                      |
| Energiforbrug:               | 51 kWh/årligt   |  |
| Klimaklasse:                 | N   |  |
| Udenomstemperatur:           | +16 °C til +32 °C   |  |
| Lydemissioner:               | 49 dB(A)  |  |
| Kølemiddelmængde:            | 45 g  | 42 g                                     |
| CO <sub>2</sub> -ækvivalent: | 0,064 t   | 0,060 t                                  |
| Mål (L x B x H):             | 584 x 365 x 407 mm  | 584 x 365 x 446 mm                       |
| Vægt:                        | 11,4 kg   | 11,5 kg                                  |



### BEMÆRK

Ved udenomstemperaturer på over +32 °C (+90 °F) kan minimumtemperaturen ikke længere nås.

Godkendelse/certifikater:



Kølekredsen indeholder R134a.

Indeholder fluorerede drivhusgasser

Hermetisk lukkede anlæg eller hermetisk lukket udstyr



Läs igenom anvisningarna noga innan apparaten tas i drift. Spara bruksanvisningen för senare bruk. Överlämna bruksanvisningen till den nya ägaren vid ev. vidareförsäljning.

Tillverkaren ansvarar inte för skador som uppstår p.g.a. icke ändamålsenlig användning eller felaktig hantering/skötsel.

## Innehållsförteckning

|           |   |     |
|-----------|---|-----|
| <b>1</b>  | <b>Förklaring till symboler</b> . . . . . | 114 |
| <b>2</b>  | <b>Säkerhetsanvisningar</b> . . . . .     | 114 |
| 2.1       | Allmän säkerhet . . . . .                 | 114 |
| 2.2       | Säkerhet under drift . . . . .            | 116 |
| <b>3</b>  | <b>Leveransomfattning</b> . . . . .       | 116 |
| <b>4</b>  | <b>Ändamålsenlig användning</b> . . . . . | 116 |
| <b>5</b>  | <b>Funktionsbeskrivning</b> . . . . .     | 117 |
| 5.1       | Funktioner . . . . .                      | 117 |
| 5.2       | Reglage, display och lysdioder . . . . .  | 118 |
| <b>6</b>  | <b>Användning</b> . . . . .               | 119 |
| 6.1       | Före den första användningen . . . . .    | 119 |
| 6.2       | Tips för energibesparing . . . . .        | 119 |
| 6.3       | Ansluta kylboxen . . . . .                | 120 |
| 6.4       | Använda batterivakten . . . . .           | 121 |
| 6.5       | Använda kylboxen . . . . .                | 122 |
| 6.6       | Låsa kyllocket . . . . .                  | 122 |
| 6.7       | Ställa in temperaturen . . . . .          | 123 |
| 6.8       | Stänga av kylboxen . . . . .              | 123 |
| 6.9       | Avfrost kylboxen . . . . .                | 123 |
| 6.10      | Byta säkring . . . . .                    | 123 |
| <b>7</b>  | <b>Rengöring och skötsel</b> . . . . .    | 124 |
| <b>8</b>  | <b>Garanti</b> . . . . .                  | 124 |
| <b>9</b>  | <b>Felsökning</b> . . . . .               | 125 |
| <b>10</b> | <b>Avfallshantering</b> . . . . .         | 125 |
| <b>11</b> | <b>Tekniska data</b> . . . . .            | 126 |

# 1 Förklaring till symboler

**VARNING!**

**Observera:** Beaktas anvisningen ej kan det leda till dödsfara eller svåra skador.

**AKTA!**

**Observera:** Beaktas anvisningen ej kan det leda till kroppsskador.

**OBSERVERA!**

Om anvisningarna inte beaktas kan det leda till materialskador och produktens funktion kan påverkas negativt.

**ANVISNING**

Kompletterande information om användning av produkten.

## 2 Säkerhetsanvisningar

### 2.1 Allmän säkerhet

**VARNING!**

- Om apparaten uppvisar synliga skador får den ej tas i drift.
- Om apparatens anslutningskabel skadas måste den, av säkerhetsskäl, bytas ut av tillverkaren, tillverkarens kundtjänst eller annan behörig person.
- Reparationer på apparaten får endast utföras av behörigt fackfolk. Icke fackmässiga reparationer kan leda till att allvarliga faror uppstår.
- Denna apparat kan användas av barn från 8 år samt personer med fysiska, sensoriska eller mentala funktionshinder eller oerfarenhet och/eller ovetande under uppsikt av en ansvarig person eller om de har undervisats hur apparaten används på ett säkert sätt utan att faror uppstår.
- Rengöring och underhåll får inte genomföras av barn utan uppsikt.
- Barn får inte leka med apparaten.

- Barn bör hållas under uppsikt, så att de inte leker med apparaten.
- Förvara och använd apparaten utom räckhåll för barn under 8 år.
- Lagra inga ämnen som kan explodera i apparaten, som t.ex. sprayburkar med brännbar drivgas.

**AKTA!**

- Koppla alltid bort apparaten från elnätet
  - före rengöring och underhåll
  - efter användning
- Livsmedel får endast förvaras i originalförpackningarna eller i andra lämpliga behållare.

**OBSERVERA!**

- Jämför spänningsangivelsen på typskylten med elförsörjningen på plats.
- Anslut apparaten endast på följande vis:
  - till ett DC-uttag i fordonet (t. ex. cigarettuttag) med DC-anslutningskabel
  - eller till ett växelström uttag med den medföljande AC-anslutningskabeln.
- Dra aldrig ut stickkontakten ur uttaget genom att dra i anslutningskabeln.
- När kylapparaten är ansluten till ett DC-uttag: Koppla bort kylapparaten och andra elförbrukare från batteriet innan en batteriladdare ansluts.
- När kylapparaten är ansluten till ett DC-uttag: Skilj apparaten från elnätet eller stäng av den när motorn stängs av. Annars kan batteriet urladdas.
- Kylapparaten är inte ämnad för transport av frätande ämnen och ämnen som innehåller lösningsmedel.
- Kylapparaten isolering innehåller brännbart cyklopentan. Gaserna i isoleringsmaterialet gör att materialet kräver särskild hantering. Lämna in kylboxen till en lämplig återvinningscentral när den inte ska användas längre.

## 2.2 Säkerhet under drift



### AKTA!

- Kontrollera, innan apparaten tas i drift, att elkabeln och stickkontakten är torra.



### OBSERVERA!

- Använd inga elektriska apparater för arbeten inne i kylapparaten. Undantag: apparaterna rekommenderas för sådan användning av tillverkaren.
- Ställ inte kylapparaten i närheten av öppen eld eller andra värmekällor (värmeelement, starkt solljus, gasspisar osv.).
- **Risk för överhettning!**  
Se till att värmen som alstras under användningen kan avledas ordentligt. Apparaten måste ha tillräckligt stort avstånd till väggen/andra föremål, så att luften kan cirkulera fritt.
- Se till att ventilationsspringorna inte täcks över.
- Fyll inte innerfacket med vätskor eller is.
- Doppa aldrig ned apparaten i vatten.
- Skydda apparaten och kablarna mot hetta och fukt.

## 3 Leveransomfattning

| Mängd | Beteckning                 |
|-------|----------------------------|
| 1     | Kylbox med kompressor      |
| 1     | Likströmskabel             |
| 1     | Växelström-anlutningskabel |
| 1     | Bruksanvisning             |

## 4 Ändamålsenlig användning

Kompressor-kylboxen är avsedd för kylning och djupfrysning av livsmedel. Kompressor-kylboxen kan även användas på båtar.

Kompressor-kylboxen är utformad för att drivas med ström från likströmsuttag i fordon, båtar eller husbilar, eller med ström från växelströmsuttag.

**AKTA! Hälsorisk!**

Kontrollera om apparatens kyleffekt motsvarar kravet för de livsmedel eller mediciner du vill hålla kalla.

## 5 Funktionsbeskrivning

Kylboxen både kyler och djupfryser varor.

Kylningsprocessen sker i en underhållsfrikylkrets med kompressor. Den extrastarka isoleringen och den kraftiga kompressorn möjliggör mycket snabb kylning.

Kylboxen är lämpad för mobil användning.

Kylboxen tål konstant krängning på 30° (för användning på båtar).

### 5.1 Funktioner

- Trestegs batterivakt för att skydda fordonetsbatteri
- Display med temperaturvisning, stängs automatiskt av vid låg batterispänning
- Temperaturinställning: med två knappar i 1 °C (2 °F)-steg

## 5.2 Reglage, display och lysdioder

Lås till locket: bild **1** 1, sida 2

Kontrollpanel (bild **2**, sida 2)

| Pos. | Beteckning | Förklaring  |
|------|------------|---|
| 1    | ON<br>OFF  | Slår på och av kylboxen när knappen trycks ned 1-2 sekunder   |
| 2    | POWER      | Driftindikator (lysdiod)<br>LED lyser grönt: kompressorn på<br>LED lyser orange: kompressorn avstängd<br>LED blinkar orange: Displayet har automatiskt stängts av p.g. av låg batterispänning |
| 3    | ERROR      | LED blinkar rött: apparaten påslagen, men inte klar för användning  |
| 4    | SET        | Väljer inställningsläge<br>– temperaturinställning<br>– °Celsius eller °Fahrenheit<br>– ställa in batterivakten   |
| 5    | –          | Display, visar värdena  |
| 6    | "+"        | En tryckning höjer valt inställningsvärde   |
| 7    | "–"        | En tryckning sänker valt inställningsvärde  |

Anslutningar (bild **3**, sida 2):

| Pos. | Beteckning                 |
|------|----------------------------|
| 1    | Uttag för växelström       |
| 2    | Säkringshållare            |
| 3    | Kåpa växelströmsanslutning |
| 4    | Kåpa likströmsanslutning   |
| 5    | Uttag för likström         |

## 6 Användning

### 6.1 Före den första användningen

**ANVISNING**

Innan kylboxen tas i drift ska den, av hygieniska skäl, torkas av in- och utvändigt med en fuktig trasa (se även kapitel "Rengöring och skötsel" på sidan 124).

#### Välja temperaturenhet

Temperaturvisningen kan ställas om mellan °Celsius och °Fahrenheit. Tillvägagångssätt:

- Slå på kylboxen.
- Tryck två gånger på knappen "SET".
- Ställ, med knapp "+" eller "-", in temperaturenhet °Celsius eller °Fahrenheit.
- ✓ På displayen visas den inställda temperaturenheten i några sekunde.

### 6.2 Tips för energibesparing

- Välj en uppställningsplats med god ventilation som är skyddad mot direkt solljus.
- Låt varm mat svalna innan den läggs in i kylapparaten.
- Öppna inte kylapparaten oftare än nödvändigt.
- Låt inte kylskåpsdörren stå öppen längre än nödvändigt.
- Frosta av kylboxen så snart det bildas is i den.
- Undvik en onödigt låg temperatur i kylan.

## 6.3 Ansluta kylboxen

Kylen kan drivas med likström eller växelström.



***OBSERVERA! Risk för skador på kylboxen!***

Koppla bort kylboxen och andra elförbrukare från batteriet innan en batteriladdare ansluts till batteriet.  
Överspänning kan skada elektroniken.

Kylboxen har ett elektroniskt skydd mot omvänd polaritet, som skyddar den mot kortslutning och omvänd polaritet vid batterianslutning.

- Sätt i likströmsanslutningskabeln i likströmsanslutningen och anslut den till ett likströmsuttag eller ...
- ... sätt i växelströmsanslutningskabeln i växelströmsanslutningen och anslut den till ett växelströmsuttag.
- Stäng kåporna till anslutningarna som inte används för att förhindra att någon kommer åt anslutningarna av misstag. Kåporna förhindrar dessutom att damm, vatten och smuts tränger in i anslutningarna.



## 6.4 Använda batterivakten

Kylen har en flerstegs-batterivakt som skyddar fordonsbatteriet mot urladdning när kylen ansluts till likströmsnätet.

När kylboxen används utan påslagen tändning i fordonet, stängs den av automatiskt om försörjningsspänningen sjunker under ett inställbart värde. Kylboxen startar så fort batteriet har laddats upp och återinkopplings-spänningen når.



### **OBSERVERA! Risk för skador!**

När batterivakten stänger av kylboxen har batteriet inte längre full laddningskapacitet; starta då inte fordonet onödigt ofta och använd inga andra strömförbrukare utan längre laddningsperioder. Se till att batteriet laddas igen.

I läget "HIGH" reagerar batterivakten tidigare än i läget "LOW" eller "MED" (se efterföljande tabell).

| Batterivaktens läge              | LOW    | MED    | HIGH   |
|----------------------------------|--------|--------|--------|
| Frånkopplingsspänning vid 12 V   | 10,1 V | 11,4 V | 11,8 V |
| Återinkopplingsspänning vid 12 V | 11,1 V | 12,2 V | 12,6 V |
| Frånkopplingsspänning vid 24 V   | 21,5 V | 24,1 V | 24,6 V |
| Återinkopplingsspänning vid 24 V | 23,0 V | 25,3 V | 26,2 V |

Gör på följande sätt för att ändra batterivaktens inställning:

- Slå på kylboxen.
- Tryck tre gånger på knappen "SET".
- Ställ, med knapparna "+" resp. "-", in läget för batterivakten.
- ✓ På displayen visas det inställda läget i några sekunder. Displayen blinkar några gånger innan aktuell temperatur visas igen.



### **ANVISNING**

Välj läget "HIGH" för batterivakten om kylboxen försörjs av startbatteriet. Om kylboxen ansluts till ett förbrukarbatteri räcker läget "LOW" för batterivakten.

## 6.5 Använda kylboxen

**OBSERVERA! Risk för överhettning!**

Se till att värmen som alstras under användningen kan avledas ordentligt. Se till att ventilationsspringorna inte täcks över. Apparatens måste ha tillräckligt stort avstånd till väggen/andra föremål, så att luften kan cirkulera fritt.

- Ställ kylboxen på ett fast underlag.  
Se till att ventilationsspringorna inte täcks över och att den varma luften kan avledas utan hinder.

**ANVISNING**

Ställ kylboxen som visas (bild **4**, sida 3). Om kylboxen placeras annorlunda så kan kylboxen ta skada.

- Anslut kylboxen, se kapitel "Ansluta kylboxen" på sidan 120.

**OBSERVERA! Varor kan skadas av för låg temperatur!**

Se till att det endast finns föremål resp. varor i kylboxen som får kylas till den inställda temperaturen.

- Tryck på knappen "ON/OFF" 1-2 sekunder.
- ✓ Lysdioden "POWER" lyser.
- ✓ Displayen slås på och den aktuella kyltemperaturen visas.

**ANVISNING**

Temperaturvärdet gäller för innerfackets mitt. Temperaturen kan avvika från detta värde på andra ställen.

- ✓ Kylboxen startar och kyler kylfacket.

**ANVISNING**

Vid batteridrift stängs displayet automatiskt av vid låg batterispänning. LED "POWER" blinkar orange.

## 6.6 Låsa kyllocket

- Lyft spärren (bild **1** 1, sida 2) och stäng locket.
- Släpp spärren.
- ✓ Spärren hakar fast (ska höras) och låser kylan.

## 6.7 Ställa in temperaturen

- Tryck en gång på knappen "SET".
- Ställ, med knapparna "+" resp. "-", in kyltemperaturen.
- ✓ På displayen visas nu den inställda temperaturen några sekunder. Displayen blinkar några gånger innan aktuell temperatur visas igen.

## 6.8 Stänga av kylboxen

- Töm kylboxen.
- Stäng av kylboxen.
- Dra ut anslutningskabeln.

Om kylboxen inte ska användas under en längre tid:

- Låt locket vara lite öppet. På så sätt förhindrar man att det bildas störande lukt.

## 6.9 Avfrosta kylboxen

Luftfuktigheten kan avsätta sig som frost på förångaren och i kylboxen, om så sker minskar kylförmågan. Frosta då av kylboxen så snart som möjligt.



### ***OBSERVERA! Risk för skador på kylboxen!***

Avlägsna aldrig isbeläggningar eller fastfrysna föremål med hårda eller vassa/spetsiga verktyg.

Avfrosta:

- Tag ut varorna.
- Lagra dem vid behov i ett annat kylskåp, så att de förblir kalla.
- Stäng av kylboxen.
- Låt locket vara öppet.
- Torka upp vattnet.

## 6.10 Byta säkring

- Byt säkringen (8 A 32 V) enligt instruktioner på bilden (bild **4**, sida 3).

## 7 Rengöring och skötsel

**VARNING!**

Koppla alltid bort apparaten från elnätet före rengöring och skötsel.

**OBSERVERA! Risk för skador!**

- Rengör aldrig kylapparaten under rinnande vatten eller i diskvatten.
- Använd inga skarpa rengöringsmedel eller hårda föremål vid rengöring, det kan skada kylapparaten.

- Rengör apparaten då och då in- och utvändigt med en fuktig trasa.
- Kontrollera att luftnings-/ventilationsöppningarna är rena från damm och annat smuts så att värmen i vid användning kan avledas ordentligt så att produkten inte skadas.

## 8 Garanti

Den lagstadgade garantitiden gäller. Om produkten är defekt: kontakta tillverkarens kontor i ditt land (adresser, se bruksanvisningens baksida) eller återförsäljaren.

Vid reparations- resp. garantiärenden ska följande skickas med:

- en kopia på fakturan med inköpsdatum,
- en reklamationsbeskrivning/felbeskrivning.

## 9 Felsökning

| Störning   | Möjlig orsak   | Lösning  |
|--|--|--|
| Kylen fungerar inte, lysdioden "POWER" lyser inte.   | Det finns ingen spänning i fordonets likströmsuttag.                     | På de flesta fordon finns det ingen spänning i likströmsuttaget om tändningen inte har slagits på.   |
| Kylboxen kyler inte (kontakten är insatt, lysdioden "POWER" lyser).  | Kompressorn defekt.  | Reparationer får endast utföras av auktoriserad kundservice.   |
| Kylboxen kyler inte (kontakten är insatt, lysdioden "POWER" blinkar orange, displayen är avstängd).                  | Batterispänningen är för låg.  | Kontrollera batteriet, ladda det vid behov.  |
| Vid drift med likströmsuttaget :<br>Tändningen är påslagen men kylen fungerar inte och lysdioden "POWER" lyser inte. | Hållaren på likströmuttaget är smutsig. Det ger dålig elektrisk kontakt. | Om stickkontakten blir mycket varm i likströmuttaget måste antingen hållaren rengöras eller så är stickkontakten möjligtvis inte korrekt ansluten. |
|  | Likströmskontaktens säkring har gått.                                    | Byt ut säkringen (8 A) till uttaget för likström, se kapitel "Byta säkring" på sidan 123   |
|  | Fordonets säkring utlöst.  | Byt fordonssäkringen i likströmsuttaget (vanligtvis 15 A, se fordonets instruktionsbok).   |
| Det visas ett felmeddelande (t.ex. "Err1") på displayen och apparaten kyler inte.                                    | Apparaten har stängts av p.g.a. en intern driftstörning.                 | Reparationer får endast utföras av auktoriserad kundservice.   |

## 10 Avfallshantering

- Lämna om möjligt förpackningsmaterialet till återvinning.



När produkten slutgiltigt tas ur bruk: informera dig om gällande bestämmelser hos närmaste återvinningscentral eller hos återförsäljaren.

# 11 Tekniska data

|                               | FR34 AC/DC  | FR40 AC/DC                                 |
|-------------------------------|---|--|
| Artikelnr:                    | 9600000537  | 9105330192                                 |
| Anslutningsspänning:          | 12/24 V $\equiv$<br>100 – 240 V $\sim$ , 50/60 Hz                                 |  |
| Effektbehov:                  | 4 A (12 V $\equiv$ )<br>2 A (24 V $\equiv$ )<br>1,0 – 0,4 A (100 – 240 V $\sim$ ) |  |
| Kyleffekt:                    | +10 °C till –10 °C<br>(+50 °F till +14 °F)  | +10 °C till –10 °C<br>(+50 °F till +14 °F) |
| Kategori:                     | Kategori 1<br>(kylskåp med en eller flera lagerytor för färska livsmedel)         |  |
| Bruttovolym:                  | 32,5 l  | 40 l                                       |
| Nyttovolym:                   | 31,0 l  | 38 l                                       |
| Energieffektklass:            | A++   | A++  |
| Energiförbrukning:            | 51 kWh/år   |  |
| Klimatklass:                  | N   |  |
| Omgivningstemperatur:         | +16 °C till +32 °C  |  |
| Ljudemission:                 | 49 dB(A)  |  |
| Mängd kylvätska:              | 45 g  | 42 g                                       |
| Motsvarande CO <sub>2</sub> : | 0,064 t   | 0,060 t                                    |
| Mått (L x B x H):             | 584 x 365 x 407 mm  | 584 x 365 x 446 mm                         |
| Vikt:                         | 11,4 kg   | 11,5 kg                                    |



### ANVISNING

Den lägsta temperaturen (min temperatur) nås inte om omgivningstemperaturen ligger över +32 °C (+90 °F).

Provning/certifikat:



Kylkretsen innehåller R134a.

Innehåller fluorerade växthusgaser

Hermetiskt sluten utrustning

**Les bruksanvisningen nøye før du tar i bruk apparatet, og ta vare på den. Hvis apparatet selges videre, må man sørge for å gi bruksanvisningen videre også.**

Produsenten påtar seg intet ansvar for skader som skyldes **ikke tiltenkt bruk** eller **feil bruk**.

## Innhold

|           |   |     |
|-----------|---|-----|
| <b>1</b>  | <b>Symbolforklaringer</b> .....           | 129 |
| <b>2</b>  | <b>Sikkerhetsregler</b> .....             | 129 |
| 2.1       | Generell sikkerhet .....                  | 129 |
| 2.2       | Sikkerhet ved bruk av apparatet .....     | 131 |
| <b>3</b>  | <b>Leveringsomfang</b> .....              | 132 |
| <b>4</b>  | <b>Tiltenkt bruk</b> .....                | 132 |
| <b>5</b>  | <b>Funksjonsbeskrivelse</b> .....         | 132 |
| 5.1       | Funksjonsomfang .....                     | 132 |
| 5.2       | Betjenings- og indikeringselementer ..... | 133 |
| <b>6</b>  | <b>Betjening</b> .....                    | 134 |
| 6.1       | Før første gangs bruk .....               | 134 |
| 6.2       | Tips for energisparing .....              | 134 |
| 6.3       | Koble til kjøleboksen .....               | 135 |
| 6.4       | TBruke batterivakten .....                | 136 |
| 6.5       | Bruk av kjøleboksen .....                 | 137 |
| 6.6       | Låse kjølesystemlokket .....              | 137 |
| 6.7       | Stille inn temperaturen .....             | 138 |
| 6.8       | Slå av kjøleboksen .....                  | 138 |
| 6.9       | Avriming av kjøleboksen .....             | 138 |
| 6.10      | Bytte sikring .....                       | 138 |
| <b>7</b>  | <b>Rengjøring og stell</b> .....          | 139 |
| <b>8</b>  | <b>Garanti</b> .....                      | 139 |
| <b>9</b>  | <b>Feilretting</b> .....                  | 140 |
| <b>10</b> | <b>Deponering</b> .....                   | 140 |
| <b>11</b> | <b>Tekniske data</b> .....                | 141 |



# 1 Symbolforklaringer

**ADVARSEL!**

**Sikkerhetsregel:** Hvis man ikke overholder denne regelen, kan det føre til død eller alvorlig skade.

**FORSIKTIG!**

**Sikkerhetsregel:** Hvis man ikke overholder denne regelen, kan det føre til personskader.

**PASS PÅ!**

Hvis man ikke overholder denne regelen, kan det føre til materielle skader og skade funksjonen til produktet.

**MERK**

Utfyllende informasjon om bruk av produktet.

## 2 Sikkerhetsregler

### 2.1 Generell sikkerhet

**ADVARSEL!**

- Apparatet må ikke tas i bruk hvis det har synlige skader.
- Hvis tilkoblingskabelen på dette apparatet blir skadet, må den erstattes av produsent, kundeservice eller annen kvalifisert person for å unngå farlige situasjoner.
- Reparasjoner på dette apparatet må kun utføres av fagfolk. Feil reparasjoner kan føre til betydelige skader.
- Dette apparatet kan brukes av barn fra 8 år og oppover, og av personer med nedsatte fysiske, sensoriske eller mentale evner eller manglende erfaring og/eller kunnskap, når de er under oppsikt eller har fått opplæring i sikker bruk av apparatet og hvilke farer som er forbundet med det.
- Rengjøring og vedlikehold må ikke utføres av barn uten at de er under oppsikt.
- Barn må ikke leke med apparatet.

- Barn skal være under tilsyn for å sikre at de ikke leker med apparatet.
- Oppbevar og bruk apparatet slik at det ikke er tilgjengelig for barn under 8 år.
- Ikke lagre eksplosjonsfarlige stoffer som f.eks. spraybokser med drivgass i apparatet.

**FORSIKTIG!**

- Koble apparatet fra strømmettet
  - før rengjøring og stell
  - hver gang etter bruk
- Næringsmidler må oppbevares i originalforpakning eller i egnede beholdere.

**PASS PÅ!**

- Sammenlign spenningsspesifikasjonene på merkeskiltet med tilgjengelig strømtilførsel.
- Koble til apparatet kun på følgende måte:
  - med DC-tilkoblingskabelen til et DC-stikkontakt i kjøretøyet (f. eks. sigarettenner)
  - eller med AC-tilkoblingskabelen som følger med til vekselstrøm
- Trekk aldri støpslet ut av stikkontakten etter ledningen.
- Hvis kjøleapparatet er plugget inn i DC-stikkontakten: Koble dette kjøleapparatet og andre forbrukere fra batteriet før du kobler til hurtiglader.
- Hvis kjøleapparatet er plugget inn i DC-stikkontakten: Koble fra forbindelsen eller slå av kjøleapparatet når du slår av motoren. Hvis ikke kan batteriet bli ladet ut.
- Kjøleapparatet er ikke egnet for transport av etsende eller løsemiddelholdige stoffer.
- Dette kjøleapparatet inneholder isoleringen brennbart cyklopentan. Gassene i isolasjonsmaterialet krever en spesiell bortskaffingsprosess. Etter endt levetid skal apparatet bortskaffes på forskriftsmessig måte.

## 2.2 Sikkerhet ved bruk av apparatet



### **FORSIKTIG!**

- Før du tar apparatet i bruk, må du passe på at ledningen og støpslet er tørre.



### **PASS PÅ!**

- Ikke bruk elektriske apparater inne i kjøleapparatet, hvis ikke disse apparatene er anbefalt brukt av produsenten.
- Ikke plasser apparatet i nærheten av åpen flamme eller andre varmekilder (oppvarming, sterk solbestråling, gassovner osv.).
- **Fare for overoppheting!**  
Påse at varme som oppstår under drift alltid blir ventilert bort på en tilfredsstillende måte. Påse derfor at apparatet står langt nok unna vegger eller gjenstander, slik at luften kan sirkulere.
- Pass på at lufteåpningene ikke blir blokkert.
- Fyll ikke væsker eller is i den innvendige beholderen.
- Dypp aldri apparatet i vann.
- Beskytt apparatet og kablen mot varme og fuktighet.

### 3 Leveringsomfang

| Antall | Betegnelse                   |
|--------|------------------------------|
| 1      | Kjøleboks med kompressor     |
| 1      | Likestrøm-tilkoblingskabel   |
| 1      | Vekselstrøm-tilkoblingskabel |
| 1      | Bruksanvisning               |

### 4 Tiltent bruk

Kompressorkjøleboksen er beregnet på å kjøle ned og fryse næringsmidler. Kompressorkjøleboksen er også egnet til bruk i båter.

Kompressorkjøleboksen er konstruert for drift på en likestrømsstikkontakt i en bil, båt eller bobil eller på en vekselstrømsstikkontakt.



#### **FORSIKTIG! Helsefare!**

Kontroller om apparatets kjøleeffekt oppfyller kravene til næringsmidlene eller medikamentene som du ønsker å kjøle.

### 5 Funksjonsbeskrivelse

Kjøleboksen kan avkjøle varer og holde dem kalde, samt dypfryse varer.

Kjølingen skjer ved hjelp av et vedlikeholdsfritt kjølekretsløp med kompressor. Den ekstra sterke isolasjonen og den kraftige kompressoren garanterer spesielt hurtig kjøling.

Kjøleboksen er egnet for mobil bruk.

Ved bruk på båter tåler kjøleboksen en krengeing på 30°.

#### 5.1 Funksjonsomfang

- Tretrinns batterivakt for å beskytte kjøretøybatteriet
- Display med temperaturindikering, kobles ut automatisk ved lav batterispenning
- Temperaturinnstilling: Med to taster i 1 °C (2 °F)-trinn

## 5.2 Betjenings- og indikeringselementer

Låsing av deksel: fig. **1**, side 2

Betjeningspanel (fig. **2**, side 2)

| Pos. | Betegnelse | Forklaring   |
|------|------------|--|
| 1    | ON<br>OFF  | Slår kjøleboksen av eller på når knappen trykkes inn ett til to sekunder   |
| 2    | POWER      | Varsellampe<br>Lysdioden lyser grønt: Kompressor er på<br>Lysdioden lyser oransje: Kompressor er av<br>Lysdioden blinker oransje: Display ble koblet ut automatisk pga. lav batterispennning |
| 3    | ERROR      | Lysdioden blinker rødt: Det påslåtte apparatet er ikke driftsklart   |
| 4    | SET        | Velger innleggingsmodus<br>– Temperaturinnstilling<br>– Visning av Celsius eller Fahrenheit<br>– Stille inn batterivakten  |
| 5    | –          | Display, viser verdier   |
| 6    | «+»        | Trykk én gang for å øke valgt verdi som skal legges inn  |
| 7    | «-»        | Trykk én gang for å redusere valgt verdi som skal legges inn   |

Kontakter (fig. **3**, side 2):

| Pos. | Betegnelse                                  |
|------|---|
| 1    | Tilkoblingskontakt vekselspenningsforsyning |
| 2    | Sikringsholder                              |
| 3    | Deksel vekselstrømkontakt                   |
| 4    | Deksel likestrømkontakt                     |
| 5    | Tilkoblingskontakt likespenningsforsyning   |

## 6 Betjening

### 6.1 Før første gangs bruk

**MERK**

Før den nye kjøleboksen tas i bruk, skal man av hygieniske årsaker rengjøre den innvendig og utenpå med en fuktig klut (se også kapittel «Rengjøring og stell» på side 139).

#### Velge temperaturenhet

Du kan velge å vise temperaturen enten i Celsius eller Fahrenheit. Gå fram på følgende måte:

- Slå på kjøleboksen.
- Trykk på knappen «SET» to ganger.
- Velg temperaturenhet Celsius eller Fahrenheit med tastene «+» hhv. «-».
- ✓ Displayet viser innstilt temperaturenhet i noen sekunder. Displayet blinker noen ganger, før det går tilbake til visning av aktuell temperatur.

### 6.2 Tips for energisparing

- Velg et montasjested som har god ventilasjon og er beskyttet mot solstråling.
- Avkjøl varm mat før du plasserer den i apparatet for avkjøling.
- Ikke åpne kjøleapparatet lenger enn nødvendig.
- Ikke la kjøleskapet stå lenger åpent enn nødvendig.
- Avrim kjøleboksen hvis det har dannet seg is på den.
- Unngå unødvendig høy innetemperatur.

### 6.3 Koble til kjøleboksen

Kjølesystemene kan drives med likestrøm eller vekselstrøm.



***PASS PÅ! Fare på grunn av skader på apparatet!***

Koble kjøleboksen og andre forbrukere fra batteriet før du lader opp batteriet med hurtiglader.

Overspenninger kan skade apparatets elektronikk.

For sikkerhets skyld er kjøleboksen utstyrt med en elektronisk polbeskyttelse som beskytter den mot feil polaritet ved batteritilkobling og mot kortslutning.

- Plugg likestrømtilkoblingskabelen inn i likestrømkontakten, og koble den til en likestrømstikkontakt eller ...
- ... plugg vekselstrømtilkoblingskabelen inn i vekselstrømkontakten, og koble den til en vekselstrømstikkontakt.
- Lukk dekslene på de ubrukte kontaktene for å utelukke en utilsiktet berøring av kontaktene. Dette hindrer dessuten at støv, vann og skitt kommer inn i kontakten.

## 6.4 TBruke batterivakten

Kjølesystemet er utstyrt med en flertrinns batterivakt som beskytter bilbatteriet mot for dyp utlading ved tilkobling til likestrømforsyning.

Hvis kjøleboksen brukes i kjøretøyet når tenningen er avslått, kobler boksen seg ut automatisk når tilførselsspenningen faller under en innstillbar verdi. Kjøleboksen slår seg på automatisk igjen straks gjeninnkoblingsspenningen nås ved at batteriet lades opp.



### **PASS PÅ! Fare for skade!**

Når batteriet slås av via batterivakten, har det ikke lenger full ladekapasitet, unngå å starte flere ganger eller å bruke strømforbrukere uten lengre oppladninger. Sørg for å lade opp batteriet igjen.

I modus «HIGH» reagerer batterivakten raskere enn i trinnene «LOW» og «MED» (se følgende tabell).

| Batterivakt-modus                | LOW    | MED    | HIGH   |
|----------------------------------|--------|--------|--------|
| Utkoblingsspenning ved 12 V      | 10,1 V | 11,4 V | 11,8 V |
| Gjeninnkoblingsspenning ved 12 V | 11,1 V | 12,2 V | 12,6 V |
| Utkoblingsspenning ved 24 V      | 21,5 V | 24,1 V | 24,6 V |
| Gjeninnkoblingsspenning ved 24 V | 23,0 V | 25,3 V | 26,2 V |

Gå fram på følgende måte for å endre modus til batterivakten:

- Slå på kjøleboksen.
- Trykk på knappen «SET» tre ganger.
- Velg modus for batterivakten med tastene «+» hhv. «-».
- ✓ Displayet viser innstilt modus i noen sekunder. Displayet blinker noen ganger, før det går tilbake til visning av aktuell temperatur.



### **MERK**

Når kjøleboksen forsynes fra starterbatteriet, velger du batterivakt-modus «HIGH». Når kjøleboksen er tilkoblet et forsyningsbatteri, er batterivakt-modus «LOW» tilstrekkelig.



## 6.5 Bruk av kjøleboksen



### **PASS PÅ! Fare for overoppheting!**

Påse at varme som oppstår under drift alltid blir ventilert bort på en tilfredsstillende måte. Pass på at luftenåpningene ikke blir blokkert. Påse derfor at apparatet står langt nok unna vegger eller gjenstander, slik at luften kan sirkulere.

- Sett kjøleboksen på et fast underlag.  
Påse at luftenåpningene ikke er tildekket og at den oppvarmede luften kan ledes bort skikkelig.



### **MERK**

Plasser kjøleboksen som vist (fig. 4, side 3). Hvis apparatet brukes i en annen posisjon, kan det bli ødelagt.

- Koble til kjøleboksen (se kapittel «Koble til kjøleboksen» på side 135).



### **PASS PÅ! Fare på grunn av for lav temperatur!**

Pass på at kun gjenstander hhv. varer som befinner seg i kjøleboksen og som tåler nedkjøling blir nedkjølt til innstilt temperatur.

- Trykk på tasten «ON/OFF» i ett til to sekunder.
- ✓ Lysdioden «POWER» lyser.
- ✓ Displayet slår seg på og indikerer den aktuelle kjøletemperaturen.



### **MERK**

Den indikerte temperaturen er målt i midten i det innvendige rommet. Temperaturen på andre steder kan avvike fra denne.

- ✓ Kjøleboksen begynner å kjøle ned kjølerommet.



### **MERK**

Ved drift på batteri kobles displayet ut automatisk ved lav batterispenning. Lysdioden «POWER» blinker oransje.

## 6.6 Låse kjølesystemlokket

- Løft låsen (fig. 1, side 2), og lukk lokket.
- Slipp opp låsen.
- ✓ Låsen går hørbart i lås, og låser kjølesystemet.

## 6.7 Stille inn temperaturen

- Trykk på tasten «SET» én gang.
- Still inn kjøletemperaturen med tastene «+» hhv. «-».
- ✓ Displayet viser i noen sekunder innstilt ønsket kjøletemperatur. Displayet blinker noen ganger, før det går tilbake til visning av aktuell temperatur.

## 6.8 Slå av kjøleboksen

- Tøm kjøleboksen.
- Slå av kjøleboksen.
- Trekk ut tilkoblingskabelen.

Når kjøleboksen ikke skal brukes på lang tid:

- La lokket stå litt åpent. På den måten forhindrer man at det danner seg lukt.

## 6.9 Avriming av kjøleboksen

Luftfuktigheten felles ut på fordampere eller inne i kjøleboksen som rim, noe som reduserer kjøleeffekten. Avrim apparatet til riktig tid.



***PASS PÅ! Fare på grunn av skader på apparatet!***

Bruk aldri harde eller spisse redskaper for å fjerne islag eller for å løsne fastfrosne gjenstander.

Gå fram på følgende måte for å avrime kjøleboksen:

- Ta ut matvarene.
- Oppbevar dem evt. i et annet kjøleapparat, slik at de holder seg kalde.
- Slå av apparatet.
- La lokket stå åpent.
- Tørk opp avtiningsvannet.

## 6.10 Bytte sikring

- Bytt ut sikringen (8 A, 32 V) slik som vist (fig. 4, side 3).

## 7 Rengjøring og stell

**ADVARSEL!**

Skill apparatet fra strømmettet før rengjøring og stell.

**PASS PÅ! Fare for skade!**

- Kjøleapparatet må aldri rengjøres under rennende vann eller spyles.
- Bruk ikke slipende vaskemidler eller harde gjenstander til rengjøring, da det kan skade kjøleapparatet.

- Rengjør apparatet innvendig og utvendig fra tid til annen med en fuktig klut.
- Påse at ventilasjonsåpningene på apparatet er fri for støv og forurensinger, slik at varmen som oppstår under drift kan ledes bort og apparatet ikke tar skade.

## 8 Garanti

Lovmessig garantitid gjelder. Hvis produktet skulle være defekt, kontakter du produsentens filial i ditt land (du finner adressene på baksiden av veiledningen) eller til din faghandler.

Ved henvendelser vedrørende reparasjon eller garanti, må du sende med følgende dokumentasjon:

- kopi av kvitteringen med kjøpsdato,
- årsak til reklamasjonen eller beskrivelse av feilen.

## 9 Feilretting

| Feil  | Mulig årsak  | Forslag til løsning  |
|---|--|--|
| Kjølesystemet fungerer ikke, LED «POWER» lyser ikke.  | Det er ikke noen spenning i likestrømsstikkontakten i kjøretøyet.  | I de fleste kjøretøyer må tenningen være på for at likestrømsstikkontakten skal ha spenning.   |
| Apparatet kjøler ikke (støpslet er plagget inn, lysdioden «POWER» lyser).   | Kompressoren er defekt.  | Reparasjonen kan kun utføres av en godkjent kundeservicebedrift.   |
| Apparatet kjøler ikke (støpslet er plagget inn, lysdioden «POWER» blinker oransje, displayet er slått av).            | Batterispenning for lav  | Kontroller batteriet og lad det eventuelt opp.   |
| Ved drift fra likestrømsstikkontakt:<br>Tenningen er slått på, kjølesystemet fungerer ikke og LED «POWER» lyser ikke. | Kontakten til likestrømsstikkontakten er tilsmusset.<br>Dette fører til dårlig elektrisk kontakt.<br>Sikringen til likestrømspluggen har gått. | Hvis pluggen i likestrømsstikkontakten blir svært varm, må enten kontakten gjøres ren, eller så er pluggen muligens ikke korrekt montert.<br>Bytt sikringen (8 A) til likestrømspluggen, se kapittel «Bytte sikring» på side 138 |
|   | Kjøretøysikringen har gått.  | Skift ut kjøretøysikringen til likestrømsstikkontakten (vanligvis 15 A) (følg bruksanvisningen til kjøretøyet).  |
| Displayet viser en feilmelding (f.eks. «Err1») og apparatet kjøler ikke.  | En intern driftsfeil har slått av apparatet.   | Reparasjonen kan kun utføres av en godkjent kundeservicebedrift.   |

## 10 Deponering

- Lever emballasje til resirkulering så langt det er mulig.



Når du tar produktet ut av drift for siste gang, må du sørge for å få informasjon om deponeringsforskrifter hos nærmeste resirkuleringsstasjon eller hos din faghandler.

# 11 Tekniske data

|                              | FR34 AC/DC  | FR40 AC/DC                               |
|------------------------------|---|--|
| Artikkelnr.:                 | 9600000537  | 9105330192                               |
| Tilkoblingsspenning:         | 12/24 V===<br>100 – 240 V~ 50/60 Hz   |  |
| Effektforbruk:               | 4 A (12 V===)<br>2 A (24 V===)<br>1,0 – 0,4 A (100 – 240 V~)                        |  |
| Kjøleeffekt:                 | +10 °C til –10 °C<br>(+50 °F til +14 °F)  | +10 °C til –10 °C<br>(+50 °F til +14 °F) |
| Kategori:                    | Kategori 1<br>(kjøleskap med en eller flere oppbevaringshyller for ferske matvarer) |  |
| Bruttoinnhold:               | 32,5 l  | 40 l                                     |
| Nytteinnhold:                | 31,0 l  | 38 l                                     |
| Energimerking:               | A++   | A++                                      |
| Energiforbruk:               | 51 kWh/år   |  |
| Klimaklasse:                 | N   |  |
| Omgivelsestemperatur:        | +16 °C til +32 °C   |  |
| Støyutslipp:                 | 49 dB(A)  |  |
| Kjølemiddelmengde:           | 45 g  | 42 g                                     |
| CO <sub>2</sub> -ekvivalent: | 0,064 t   | 0,060 t                                  |
| Mål (L x B x H):             | 584 x 365 x 407 mm  | 584 x 365 x 446 mm                       |
| Vekt:                        | 11,4 kg   | 11,5 kg                                  |



### MERK

Ved omgivelsestemperaturer på over +32 °C (+90 °F) kan man ikke lenger nå minimumstemperaturen.

Test/Sertifikater:



Kjølekretsen inneholder R134a.

Inneholder fluoriserte drivhusgasser

Hermetisk lukket innretning

**Lue tämä ohje huolellisesti läpi ennen käyttöönottoa ja säilytä ohje hyvin. Jos myyt tuotteen eteenpäin, anna ohje tällöin edelleen uudelle käyttäjälle.**

Valmistaja ei ota vastuuta vahingoista, jotka aiheutuvat **epäasianmukaisesta käytöstä** tai **väärästä käytöstä**.

## Sisällysluettelo

|           |  |     |
|-----------|--|-----|
| <b>1</b>  | <b>Symbolien selitys</b> .....           | 144 |
| <b>2</b>  | <b>Turvallisuusohjeet</b> .....          | 144 |
| 2.1       | Yleinen turvallisuus .....               | 144 |
| 2.2       | Laitteen käyttöturvallisuus .....        | 146 |
| <b>3</b>  | <b>Toimituskokonaisuus</b> .....         | 147 |
| <b>4</b>  | <b>Tarkoituksenmukainen käyttö</b> ..... | 147 |
| <b>5</b>  | <b>Toimintakuvaus</b> .....              | 147 |
| 5.1       | Toimintomäärä .....                      | 147 |
| 5.2       | Käyttö- ja näyttölaitteet .....          | 148 |
| <b>6</b>  | <b>Käyttö</b> .....                      | 149 |
| 6.1       | Ennen ensikäyttöä .....                  | 149 |
| 6.2       | Vinkkejä energian säästämiseen .....     | 149 |
| 6.3       | Kylmälaukun liittäminen .....            | 150 |
| 6.4       | Akkutarkkailulaitteen käyttäminen .....  | 150 |
| 6.5       | Kylmälaukun käyttäminen .....            | 152 |
| 6.6       | Kylmälaitteen kannen salpaaminen .....   | 152 |
| 6.7       | Lämpötilan säätäminen .....              | 153 |
| 6.8       | Kylmälaukun kytkeminen pois päältä ..... | 153 |
| 6.9       | Kylmälaukun sulattaminen .....           | 153 |
| 6.10      | Sulakkeen vaihtaminen .....              | 153 |
| <b>7</b>  | <b>Puhdistaminen ja hoito</b> .....      | 154 |
| <b>8</b>  | <b>Takuu</b> .....                       | 154 |
| <b>9</b>  | <b>Häiriöiden poistaminen</b> .....      | 155 |
| <b>10</b> | <b>Hävittäminen</b> .....                | 155 |
| <b>11</b> | <b>Tekniset tiedot</b> .....             | 156 |

# 1 Symbolien selitys

**VAROITUS!**

**Turvallisuusohje:** Huomiotta jättäminen voi aiheuttaa hengen-  
vaaran tai vakavan loukkaantumisen.

**HUOMIO!**

**Turvallisuusohje:** Huomiotta jättäminen voi johtaa loukkaantu-  
miseen.

**HUOMAUTUS!**

Huomiotta jättäminen voi johtaa materiaalivaurioihin ja haitata  
tuotteen toimintaa.

**OHJE**

Tuotteen käyttöä koskevia lisätietoja.

## 2 Turvallisuusohjeet

### 2.1 Yleinen turvallisuus

**VAROITUS!**

- Laitetta ei saa ottaa käyttöön, jos siinä on näkyviä vaurioita.
- Jos tämän laitteen liitäntäjohto vaurioituu, tulee valmistajan tai valtuutetun asiakaspalvelun tai vastaavasti pätevän henkilön vaihtaa se vaaran välttämiseksi.
- Ainoastaan ammattilaiset saavat korjata tätä laitetta. Epäasian-  
mukaisista korjauksista saattaa aiheutua huomattavia vaaroja.
- 8-vuotiaat tai sitä vanhemmat lapset sekä henkilöt, joiden  
fyysiset, sensoriset tai psyykkiset kyvyt ovat rajoittuneita tai  
jotka ovat kokemattomia ja/tai tietämättömiä, voivat käyttää tätä  
laitetta valvonnan alaisina tai kun heille on opetettu laitteen  
turvallinen käyttö ja he ovat ymmärtäneet siitä aiheutuvat  
vaarat.
- Lapset eivät saa puhdistaa laitetta tai tehdä käyttäjähuoltoa  
ilman valvontaa.
- Lapset eivät saa leikkiä laitteella.



- Lapsia tulee valvoa sen varmistamiseksi, etteivät he leiki laitteella.
- Säilytä ja käytä laitetta alle 8-vuotiaiden lasten ulottumattomissa.
- Älä säilytä laitteessa mitään räjähdysalttiita tavaroita kuten esim. suihkepurkkeja, joissa on palavaa ponneainetta.

**HUOMIO!**

- Irrota laite verkosta
  - ennen jokaista puhdistusta tai hoitoa
  - jokaisen käytön jälkeen
- Elintarvikkeita saa säilyttää vain alkuperäispakkauksissa tai tarkoitukseen sopivissa astioissa.

**HUOMAUTUS!**

- Verratkaa tyypikilven jännitetietoja käytettävissä olevaan energiansyöttöön.
- Liitätkää laite vain seuraavalla tavalla:
  - toimituskokonaisuuteen kuuluvalla DC-liitäntäjohdolla DC-pistorasiaan
  - toimituskokonaisuuteen kuuluvalla AC -liitäntäjohdolla vaihtovirtaverkkoon
- Älä ota pistoketta koskaan pois pistorasiasta johdosta vetämällä.
- Jos kylmälaite on liitetty DC-pistorasiaan: Irrottaa kylmälaitteenne ja muut sähköä käyttävät laitteet akusta ennen pikalaturin liittämistä.
- Jos kylmälaite on liitetty DC-pistorasiaan: Irrota liitäntä tai sammuta ylmälaite, kun sammutat moottorin. Muuten akku voi purkautua.
- Kylmälaite ei sovi syövyttävien tai liuotinainepitoisten aineiden kuljettamiseen.
- Tämän kylmälaitteen erityksessä on palavaa syklopentaania. Eristysmateriaalin kaasut vaativat erityisen hävittämismenetelmän. Vie kylmälaite käyttöään täytyttyä asianmukaiseen hävityspisteeseen.

## 2.2 Laitteen käyttöturvallisuus



### **HUOMIO!**

- Huolehtikaa ennen laitteen käyttöönottoa siitä, että johto ja pistoke ovat kuivia.



### **HUOMAUTUS!**

- Älä käytä kylmälaukun sisällä mitään sähkölaitteita, vaikka valmistaja näitä suosittelisikin.
- Älkää asettako laitetta avoliekkien tai muiden lämpölähteiden (lämmitys, voimakas auringonpaiste, kaasu-uunit jne.) lähelle.
- **Ylikuumenemisvaara!**  
Huolehtikaa aina siitä, käytössä syntyvä lämpö saadaan johdettua riittävän hyvin pois. Huolehtikaa siitä, että laite on riittävän etäällä seinistä tai esineistä, jotta ilma pääsee kiertämään.
- Huolehtikaa siitä, että tuuletusrakoja ei peitetä.
- Älkää laittako sisäastiaan minkäänlaisia nesteitä tai jäätä.
- Älkää upottako laitetta koskaan veteen.
- Suojatkaa laite ja sen johto kuumuudelta ja kosteudelta.

### 3 Toimituskokonaisuus

| Määrä | Nimitys                  |
|-------|--------------------------|
| 1     | Kompressorikylmälaatikko |
| 1     | Tasavirtaliitäntäjohto   |
| 1     | Vaihtovirtaliitäntäjohto |
| 1     | Käyttöohje               |

### 4 Tarkoituksenmukainen käyttö

Kompressorikylmälaaukku sopii elintarvikkeiden jäähdyttämiseen ja pakastamiseen. Kompressorikylmälaaukku sopii myös venekäyttöön.

Kompressorikylmälaaukku sopii käytettäväksi ajoneuvon, veneen tai asuntoauton tasavirtapistorasian tai vaihtovirtapistorasian avulla.



#### **HUOMIO! Terveysriski!**

Ole hyvä ja tarkista, vastaako laitteen jäähdytysteho niiden elintarvikkeiden tai lääkkeiden vaatimuksia, joita haluat jäähdyttää

### 5 Toimintakuvaus

Kylmälaaukku pystyy jäähdyttämään tuotteita ja pitämään ne kylminä sekä pakastamaan niitä.

Jäähdyttämiseen käytetään jäähdytyskiertoa ja kompressoria, joita ei tarvitse huoltaa. Erikoisvahva eristys ja tehokas kompressori takaavat erityisen nopean jäähdytyksen.

Kylmälaaukku sopii liikkuvaan käyttöön.

Venekäytössä kylmälaaukku voi olla jatkuvasti kallistettuna 30°.

#### 5.1 Toimintomäärä

- Kolmitasoinen akkuvahdi suojaa ajoneuvon akkua.
- Näyttö, jossa lämpötilanäyttö, sammutetaan automaattisesti, kun akkujännite on alhainen
- Lämpötilasäätö: Kahdella näppäimellä 1 °C (2 °F)-askelin

## 5.2 Käyttö- ja näyttölaitteet

Kannen salpaus: kuva **1**, sivulla 2

Käyttökenttä (kuva **2**, sivulla 2)

| Kohde | Nimitys   | Selitys   |
|-------|-----------|---|
| 1     | ON<br>OFF | Kytkee kylmälaulun päälle tai pois, kun painiketta painetaan yksi tai kaksi sekuntia                            |
| 2     | POWER     | Toimintailmaisin  |
|       |           | LED palaa vihreänä: Kompressori on päällä   |
|       |           | LED palaa oranssina: Kompressori on pois päältä   |
|       |           | LED vilkkuu oranssina: Näyttö sammutettiin automaattisesti, koska akkujännite on alhainen                       |
| 3     | ERROR     | LED vilkkuu punaisena: Laite on päällä, mutta ei käyttövalmis   |
| 4     | SET       | Valitsee syöttötilan<br>– Lämpötilan säätö<br>– °Celsius- tai °Fahrenheit-asteiden syöttö<br>– Akkuvahdin säätö |
| 5     | –         | Näyttö, näyttää arvot   |
| 6     | ”+”       | Näpätys kerran nostaa valittua syöttöarvoa  |
| 7     | ”-”       | Näpätys kerran alentaa valittua syöttöarvoa   |

Liitännät (kuva **3**, sivulla 2):

| Kohde | Nimitys                    |
|-------|----------------------------|
| 1     | Vaihtojännitesyötön liitin |
| 2     | Sulakepidike               |
| 3     | Vaihtovirtaliittimen kansi |
| 4     | Tasavirtaliittimen kansi   |
| 5     | Tasajännitesyötön liitin   |

## 6 Käyttö

### 6.1 Ennen ensikäyttöä

**OHJE**

Puhdistakaa uusi kylmälaukku hygieenisistä syistä kostealla liinalla sisältä ja ulkoa ennen laitteen käyttöön ottamista (kts. myös kap. ”Puhdistaminen ja hoito” sivulla 154).

#### Lämpötilayksikön valinta

Voit valita lämpötilan näytön °Celsius- ja °Fahrenheit-yksikköjen välillä. Toimi tätä varten seuraavasti:

- Kytke kylmälaukku päälle.
- Paina painiketta ”SET” kaksi kertaa.
- Aseta lämpötilayksikkö °Celsius tai °Fahrenheit painikkeilla ”+” tai ”-”.
- ✓ Näyttö näyttää asetetun lämpötilayksikön muutaman sekunnin ajan. Näyttö vilkkuu muutaman kerran, ennen kuin se palaa tämänhetkisen lämpötilan näyttöön.

### 6.2 Vinkkejä energian säästämiseen

- Valitkaa asennuspaikka, joka on hyvin tuuletettu ja suojassa auringonpaisteelta.
- Antakaa lämminten ruokien jäähtyä ennen niiden säilyttämistä laitteessa kylminä.
- Älkää avatko kylmälaitetta tarpeettoman usein.
- Älä jätä jäähdytyslaitetta auki pidemmäksi ajaksi kuin tarpeen.
- Sulattakaa kylmälaukku heti, kun siihen on muodostunut jääkerros.
- Vältä kää tarpeettoman matalaa sisälämpötilaa.

### 6.3 Kylmälaukun liittäminen

Kylmälaitetta voidaan käyttää tasavirralla tai vaihtovirralla.

**HUOMAUTUS! Laitevauriovaara!**

Irrottakaa kylmälaukku ja muut sähköä kuluttavat laitteet akusta ennen kuin lataatte akkua pikalaturilla. Ylijännitteet voivat vahingoittaa laitteiden elektroniikkaa.

Kylmälaukku on varmuuden vuoksi varustettu elektronisella napaisuussuojauksella, joka suojaaa kylmälaukkuja väärältä napaisuudelta akkuliitännässä sekä oikosululta.

- Työnnä tasavirtaliitäntäjohto tasavirtaliittimeen ja yhdistä se tasavirtapistorasiaan tai...
- ... työnnä vaihtovirtaliitäntäjohto vaihtovirtaliittimeen ja yhdistä se vaihtovirtapistorasiaan.
- Sulje käyttämättä jäävien liitinten kannet, jotta liittimiä ei kosketeta vahingossa. Tämä estää lisäksi pölyä, vettä ja likaa pääsemästä liittimeen.

### 6.4 Akkutarkkailulaitteen käyttäminen

Kylmälaitteessa on monipykäläinen akkuvahdi, joka suojelee ajoneuvon akkua syväpurkautumiselta, kun laite on liitetty tasavirtaverkkoon.

Jos kylmälaukku käytetään ajoneuvon sytytyksen ollessa pois päältä, laukku kytkeytyy itsestään pois päältä heti, kun syöttöjännite laskee säädetyn arvon alle. Kylmälaukku kytkeytyy päälle heti, kun akun lataustila on saavuttanut jännitteen, jossa laukku kytkeytyy uudelleen päälle.

**HUOMAUTUS! Vahingoittumisvaara!**

Akkuun jää akkutarkkailulaitteen suorittaman pois kytkennän jälkeen vain osa sen täydestä latauskapasiteetista. Vältäkää useita käynnistyksiä ja sähköä kuluttavien laitteiden käyttämistä ilman pidempiä latausvaiheita. Huolehdi siitä, että akku ladataan uudelleen.

Tilassa ”HIGH” akkutarkkailulaite reagoi nopeammin kuin tasoilla ”LOW” ja ”MED” (kts. seuraava taulukko).

| Akkutarkkailulaitteen tila         | LOW    | MED    | HIGH   |
|------------------------------------|--------|--------|--------|
| Poiskytkentäjännite 12 V:lla       | 10,1 V | 11,4 V | 11,8 V |
| Jälleenkytkeytymisjännite 12 V:lla | 11,1 V | 12,2 V | 12,6 V |
| Poiskytkentäjännite 24 V:lla       | 21,5 V | 24,1 V | 24,6 V |
| Jälleenkytkeytymisjännite 24 V:lla | 23,0 V | 25,3 V | 26,2 V |

Vaihda akkuvahdin tila seuraavasti:

- Kytke kylmälaukku päälle.
- Paina painiketta ”SET” kolme kertaa.
- Aseta akkuvahdin tilan painikkeilla ”+” tai ”-”.
- ✓ Näyttö näyttää asetetun tilan muutaman sekunnin ajan. Näyttö vilkkuu muutaman kerran, ennen kuin se palaa tämänhetkisen lämpötilan näyttöön.



#### **OHJE**

Kun kylmälaukku saa virtansa käynnistysakusta, valitkaa akkutarkkailulaitteen tilaksi ”HIGH”. Jos kylmälaukku on liitetty erilliseen syöttöakkuun, akkutarkkailulaitteen tilaksi riittää ”LOW”.

## 6.5 Kylmälaukun käyttäminen



### **HUOMAUTUS! Ylikuumenemisvaara!**

Huolehtikaa aina siitä, käytössä syntyvä lämpö saadaan johdet-  
tua riittävän hyvin pois. Huolehtikaa siitä, että tuuletusrakoja ei  
peitetä. Huolehtikaa siitä, että laite on riittävän etäällä seinistä tai  
esineistä, jotta ilma pääsee kiertämään.

- Asettakaa kylmälaukku tukevalle alustalle.  
Huolehtikaa siitä, että tuuletusrakoja ei peitetä ja että lämmennyt ilma  
pääsee poistumaan hyvin.



### **OHJE**

Plasser kjøleboksen som vist (kuva **4**, sivulla 3). Hvis apparatet  
brukes i en annen posisjon, kan det bli ødelagt.

- Liittäkää kylmälaukku, kts. kap. ”Kylmälaukun liittäminen” sivulla 150.



### **HUOMAUTUS! Liian alhaisesta lämpötilasta aiheutuu vaara!**

Huolehtikaa siitä, että kylmälaukussa on vain esineitä tai tuotteita,  
jotka saa jäähdyttää valittuun lämpötilaan.

- Paina painiketta ”ON/OFF” yksi tai kaksi sekuntia.
- ✓ LED ”POWER” palaa.
- ✓ Näyttö kytkeytyy päälle ja näyttää nykyisen jäähdytyslämpötilan °C:na.



### **OHJE**

Näytettävä lämpötila koskee sisätilan keskikohtaa. Muiden  
kohtien lämpötila voi poiketa tästä.

- ✓ Kylmälaukku alkaa jäähdyttää sisätilaansa.



### **OHJE**

Akun kanssa käytettäessä näyttö sammuu automaattisesti, kun  
akkujännite on matala. LED ”POWER” vilkkuu oranssina.

## 6.6 Kylmälaitteen kannen salpaaminen

- Nosta salpaa (kuva **1** 1, sivulla 2) ja sulje kansi.
- Vapauta salpa.
- ✓ Salpa loksahda kuuluvasti kiinni ja salpaa kylmälaitteen.



## 6.7 Lämpötilan säätäminen

- Paina painiketta ”SET” kerran.
- Aseta jäähdytyslämpötila painikkeella ”+” tai ”-”.
- ✓ Näyttö näyttää halutun jäähdytyslämpötilan joitakin sekunteja °C:na. Näyttö vilkkuu muutaman kerran ennen kuin se palaa takasi näyttämään nykyistä lämpötilaa.

## 6.8 Kylmälaukun kytkeminen pois päältä

- Tyhjentäkää kylmälaukku.
- Kytkekää kylmälaukku pois päältä.
- Vetäkää liitäntäjohto irti.

Jos poistatte kylmälaukun käytöstä pidemmäksi aikaa:

- Jättäkää kansi hieman auki. Näin estätte hajujen muodostumisen.

## 6.9 Kylmälaukun sulattaminen

Ilmankosteus voi muodostaa haihduttimeen tai kylmälaukun sisälle huurretta, joka heikentää jäähdytystehoa. Sulattakaa laite ajoissa.



### **HUOMAUTUS! Laiteauriovaara!**

Älkää koskaan käyttäkö kovia tai teräviä esineitä jääkerrostumisen poistamiseen tai kiinni jäätyneiden esineiden irrottamiseen.

Menetelkää seuraavalla tavalla sulattaaksenne kylmälaukun:

- Ottakaa kylmätavarat pois.
- Laittakaa ne mahd. toiseen kylmälaitteeseen, jotta ne pysyvät kylminä.
- Kytkekää laite pois päältä.
- Jättäkää kansi auki.
- Pyyhkikää sulamisvesi pois.

## 6.10 Sulakkeen vaihtaminen

- Vaihda sulake (8 A 32 V) esitetyllä tavalla (kuva **4**, sivulla 3).

## 7 Puhdistaminen ja hoito

**VAROITUS!**

Irrota laite verkosta aina ennen puhdistusta ja huoltoa.

**HUOMAUTUS! Vaurioitumisvaara!**

- Älä puhdisti kylmälaitetta koskaan juoksevan veden alla tai tiskivedessä.
- Älä käytä puhdistamiseen kovia puhdistusaineita tai kovia esineitä, koska ne voivat vahingoittaa kylmälaitetta.

- Puhdistakaa laite toisinaan sisältä ja ulkoa kostealla liinalla.
- Varmista, että laitteen ilmanotto- ja poistoaukot ovat puhtaita pölystä ja liasta, jotta toiminnassa syntyvä lämpö voidaan johtaa pois ja laite ei pääse vaurioitumaan.

## 8 Takuu

Laitetta koskee lakisääteinen takuu-aika. Jos tuote sattuu olemaan viallinen, käänny maasi valmistajan toimipisteen puoleen (osoitteet käyttöohjeen takasivulla) tai ota yhteyttä omaan ammattikauppiaseesi.

Korjaus- ja takuukäsittelyä varten lähetä mukana seuraavat asiakirjat:

- kopio ostolaskusta, jossa näkyy ostopäivä,
- valitusperuste tai vikakuvaus.

## 9 Häiriöiden poistaminen

| Häiriö  | Mahdollinen syy  | Ratkaisuehdotus   |
|---|--|---|
| Kylmälaite ei toimi, LED "POWER" ei pala.   | Ajoneuvon tasavirtapistorasias-<br>sasiassa ei ole jännitettä.                         | Useimmissa ajoneuvoissa virran täytyy olla päällä, jotta tasavirtapistorasiasaa saa jännitettää.  |
| Laite ei jäähdytä (pistoke on kiinnitetty, LED "POWER" loistaa).  | Kompressori rikki.   | Vain valtuutettu asiakaspalveluliike voi korjata vian.  |
| Laite ei jäähdytä (pistoke on kiinnitetty, LED "POWER" vilkkuu oranssina, näyttö on kytketty pois).                 | Käyttöjännite ei riitä.  | Tarkastakaa akku ja ladatkaa se tarvittaessa.   |
| Käytettäessä tasavirtapistorasias-<br>sasiassa:<br>Sytytys on päällä, kylmälaite ei toimi ja LED "POWER" ei loista. | Tasavirtapistorasian kehys on liikainen.<br>Tämän vuoksi sähköinen kontakti on heikko. | Jos pistoke lämpenee tasavirtapistorasias-<br>sasiassa hyvin lämpimäksi, joko kehys täytyy puhdistaa tai pistoketta ei ole mahdollisesti koottu oikein. |
|   | Tasavirtapistokkeen sulake on palanut.   | Vaihda tasavirtapistokkeen sulake (8 A), ks. kap. "Sulakkeen vaihtaminen" sivulla 153.  |
|   | Ajoneuvon sulake on palanut.   | Vaihda ajoneuvon tasavirtapistorasias-<br>sasiassa sulake (yleensä 15 A) (noudata ajoneuvon käyttöohjeita).   |
| Näyttö ilmaisee virheilmoituksen (esim. "Err1") ja laite ei jäähdytä.   | Sisäinen käyttöhäiriö on sammuttanut laitteen.   | Vain valtuutettu asiakaspalveluliike voi korjata vian.  |

## 10 Hävittäminen

- Vie pakkausmateriaali mahdollisuuksien mukaan vastaavan kierrätysjätteen joukkoon.



Jos poistat tuotteen lopullisesti käytöstä, pyydä tietoa sen hävittämisestä koskevista määräyksistä lähimmästä kierrätyskeskuksesta tai ammattiliikkeestäsi.

# 11 Tekniset tiedot

|                                | FR34 AC/DC   | FR40 AC/DC                               |
|--------------------------------|--|--|
| Tuotenro:                      | 9600000537   | 9105330192                               |
| Liitäntäjännite:               | 12/24 V===<br>100 – 240 V~, 50/60 Hz   |  |
| Tehonkulutus:                  | 4 A (12 V===)<br>2 A (24 V===)<br>1,0 – 0,4 A (100 – 240 V~)                                       |  |
| Jäähdytysteho:                 | +10 °C ... –10 °C<br>(+50 °F ... +14 °F)   | +10 °C ... –10 °C<br>(+50 °F ... +14 °F) |
| Luokka:                        | Luokka 1<br>(Jääkaappi, jossa yksi tai useampia säilytysloke-<br>roita tuoreille elintarvikkeille) |  |
| Bruttotilavuus:                | 32,5 l   | 40 l                                     |
| Hyötytilavuus                  | 31,0 l   | 38 l                                     |
| Energiatohokkuusluokka:        | A++  | A++                                      |
| Energiankulutus:               | 51 kWh/vuosi   |  |
| Ilmastoluokka:                 | N  |  |
| Ympäristön lämpötila:          | +16 °C ... +32 °C  |  |
| Melupäästöt:                   | 49 dB(A)   |  |
| Jäähdytysainemäärä:            | 45 g   | 42 g                                     |
| CO <sub>2</sub> -ekvivalentti: | 0,064 t  | 0,060 t                                  |
| Mitat (P x L x K):             | 584 x 365 x 407 mm   | 584 x 365 x 446 mm                       |
| Paino:                         | 11,4 kg  | 11,5 kg                                  |



### OHJE

Minimilämpötilaa ei voida enää saavuttaa vain, jos ympäristölämpötila on yli +32 °C (+90 °F).

Tarkastus/sertifikaatit:



Jäähdytyskierto sisältää R134a:ta.

Sisältää fluorattuja kasvihuonekaasuja

Ilmatiiviisti suljetulla laitteella

**Por favor, leia atentamente este manual antes da colocação em funcionamento do aparelho e guarde-o em local seguro. Em caso de revenda do aparelho, entregue o manual ao novo comprador.**

O fabricante não se responsabiliza por danos resultantes de uma **utilização inadequada** ou de uma **operação incorrecta**.

## Índice

|           |  |     |
|-----------|--|-----|
| <b>1</b>  | <b>Explicação dos símbolos</b> .....               | 159 |
| <b>2</b>  | <b>Indicações de segurança</b> .....               | 159 |
| 2.1       | Segurança geral .....                              | 159 |
| 2.2       | Segurança durante a utilização do aparelho .....   | 161 |
| <b>3</b>  | <b>Material fornecido</b> .....                    | 161 |
| <b>4</b>  | <b>Utilização adequada</b> .....                   | 162 |
| <b>5</b>  | <b>Descrição do funcionamento</b> .....            | 162 |
| 5.1       | Âmbito de funções .....                            | 163 |
| 5.2       | Elementos de comando e de indicação .....          | 163 |
| <b>6</b>  | <b>Operação</b> .....                              | 164 |
| 6.1       | Antes da primeira utilização .....                 | 164 |
| 6.2       | Dicas sobre a economia de energia .....            | 165 |
| 6.3       | Conectar a geleira .....                           | 165 |
| 6.4       | Utilizar o monitorizador da bateria .....          | 166 |
| 6.5       | Utilizar a geleira .....                           | 167 |
| 6.6       | Bloquear a tampa do aparelho de refrigeração ..... | 168 |
| 6.7       | Regular a temperatura .....                        | 168 |
| 6.8       | Desligar a geleira .....                           | 168 |
| 6.9       | Descongela a geleira .....                         | 169 |
| 6.10      | Substituir o fusível .....                         | 169 |
| <b>7</b>  | <b>Limpeza e manutenção</b> .....                  | 170 |
| <b>8</b>  | <b>Garantia</b> .....                              | 170 |
| <b>9</b>  | <b>Resolução de falhas</b> .....                   | 171 |
| <b>10</b> | <b>Eliminação</b> .....                            | 171 |
| <b>11</b> | <b>Dados técnicos</b> .....                        | 172 |

# 1 Explicação dos símbolos

**AVISO!**

**Indicação de segurança:** o incumprimento pode provocar a morte ou ferimentos graves.

**PRECAUÇÃO!**

**Indicação de segurança:** o incumprimento pode provocar ferimentos.

**NOTA!**

O incumprimento pode causar danos materiais e pode prejudicar o funcionamento do produto.

**OBSERVAÇÃO**

Informações suplementares sobre a operação do produto.

## 2 Indicações de segurança

### 2.1 Segurança geral

**AVISO!**

- Quando o aparelho apresentar danos visíveis, ele não deve ser colocado em funcionamento.
- Quando o cabo de conexão for danificado, o mesmo tem de ser substituído pelo fabricante, pela sua assistência técnica ou por uma pessoa com qualificações equivalentes para evitar perigos.
- As reparações neste aparelho apenas devem ser realizadas por técnicos especializados. As reparações inadequadas podem provocar perigos substanciais.
- Este aparelho pode ser utilizado por crianças a partir dos 8 anos, assim como por pessoas com capacidades físicas, sensoriais ou mentais reduzidas e/ou com insuficiente experiência e conhecimento, quando supervisionadas ou quando tenham recebido informação acerca da utilização segura do aparelho e tenham compreendido os perigos dele resultantes.

- A limpeza e a manutenção por parte do utilizador não podem ser efetuadas por crianças sem supervisão.
- As crianças não podem brincar com o aparelho.
- As crianças devem ser supervisionadas para garantir que não brincam com o aparelho.
- Guarde e utilize o aparelho fora do alcance de crianças com idade inferior a 8 anos.
- Não guarde as substâncias com risco de explosão, como p.ex. latas de spray com gás carburante inflamável, no aparelho.

**PRECAUÇÃO!**

- Separe o aparelho da rede
  - antes de cada limpeza e conservação
  - após cada utilização
- Os géneros alimentícios apenas podem ser armazenados nas embalagens originais ou recipientes adequados.

**NOTA!**

- Compare a indicação da tensão na placa de características com a alimentação de energia existente.
- Conecte o aparelho apenas do seguinte modo:
  - com o cabo de ligação DC à tomada de bordo DC (p. ex. isqueiro) no veículo.
  - ou com o cabo de ligação de AC à rede de corrente alternada
- Nunca retire a ficha da tomada eléctrica puxando pelo cabo de conexão.
- Se a geleira estiver ligada à tomada DC: Desconecte a sua geleira e outros consumidores da bateria antes de conectar um carregador rápido.
- Se a geleira estiver ligada à tomada DC: Separe a ligação ou desligue a geleira se desligar o motor. Caso contrário, a bateria pode ficar descarregada.
- A geleira não é adequada para o transporte de substâncias corrosivas ou substâncias com solventes.
- Este aparelho contém ciclopentano inflamável no isolamento. Os gases no material de isolamento requerem um processo de eliminação especial. No final da sua vida útil, entregue o aparelho num ponto de eliminação apropriado.



## 2.2 Segurança durante a utilização do aparelho



### PRECAUÇÃO!

- Antes da colocação em funcionamento, tenha atenção para que o cabo de conexão e a ficha estejam secos.



### NOTA!

- Não utilize aparelhos eléctricos dentro da geleira, excepto se estes aparelhos tiverem sido recomendados pelo fabricante.
- Não coloque o aparelho na proximidade de chamas abertas ou outras fontes de calor (aquecimento, radiação solar intensa, fogões a gás, etc.).
- **Perigo de sobreaquecimento!**  
Tenha sempre atenção para que o calor gerado durante o funcionamento possa ser dissipado adequadamente. Certifique-se de que o aparelho está posicionado com uma distância suficiente em relação a paredes ou objectos de modo a que o ar possa circular livremente.
- Tenha atenção para que as aberturas de ventilação não sejam cobertas.
- Não verta líquidos ou gelo para dentro do recipiente interior.
- Nunca mergulhe o aparelho em água.
- Proteja o aparelho e os cabos do calor e da humidade.

## 3 Material fornecido

| Quant. | Designação                             |
|--------|--|
| 1      | Geleira com compressor                 |
| 1      | Cabo de conexão para corrente contínua |
| 1      | Cabo de conexão de corrente alternada  |
| 1      | Manual de instruções                   |

## 4 Utilização adequada

A geleira com compressor é adequada para refrigerar e congelar géneros alimentícios. A geleira com compressor também é adequada para a utilização em embarcações.

A geleira com compressor foi concebida para funcionar ligada à tomada de corrente contínua de um automóvel, embarcação ou caravana ou a uma tomada de corrente alternada.



### **PRECAUÇÃO! Risco para a saúde!**

Por favor, verifique se a capacidade de refrigeração do aparelho cumpre os requisitos dos géneros alimentares ou dos medicamentos que pretende refrigerar.

## 5 Descrição do funcionamento

A geleira pode refrigerar géneros e mantê-los no frio assim como congelá-los.

O arrefecimento é feito por um circuito de refrigeração isento de manutenção, com compressor. O isolamento extra-resistente e o eficiente compressor garantem um arrefecimento especialmente rápido.

A geleira é adequada para a utilização móvel.

Na utilização em barcos, a geleira pode ser instalada com uma inclinação de 30°.

## 5.1 Âmbito de funções

- Monitorizador da bateria com três níveis para proteção da bateria do veículo
- O monitor com indicação da temperatura é desligado automaticamente quando a tensão da bateria está muito baixa
- Regulação da temperatura: Com dois botões em passos de 1 °C (2 °F)

## 5.2 Elementos de comando e de indicação

Bloqueio da tampa: fig. **1** 1, página 2

Painel de comando (fig. **2**, página 2)

| Pos. | Designação | Explicação  |
|------|------------|---|
| 1    | ON<br>OFF  | Liga ou desliga a geleira quando o botão é pressionado durante um a dois segundos   |
| 2    | POWER      | Indicação de funcionamento<br>LED acende a verde: compressor ligado<br>LED acende a laranja: compressor desligado<br>LED pisca a laranja: O mostrador foi desligado automaticamente porque a tensão da bateria está baixa |
| 3    | ERROR      | LED pisca a vermelho: o aparelho está ligado mas não está em condições de funcionamento   |
| 4    | SET        | Seleciona o modo de introdução<br>– Regulação da temperatura<br>– Indicação em °Centígrados ou °Fahrenheit<br>– Regular o monitorizador da bateria  |
| 5    | –          | O mostrador indica os valores   |
| 6    | “+”        | Ao tocar uma vez, aumenta o valor introduzido selecionado   |
| 7    | “-”        | Ao tocar uma vez, diminui o valor introduzido selecionado   |

**Conexõesu (fig. 3, página 2):**

| Pos. | Designação  |
|------|---|
| 1    | Tomada de ligação à alimentação de tensão alterna   |
| 2    | Porta fusíveis                                      |
| 3    | Tampa da entrada de corrente alternada              |
| 4    | Tampa da entrada de corrente contínua               |
| 5    | Tomada de ligação da alimentação de tensão contínua |

## 6 Operação

### 6.1 Antes da primeira utilização



#### **OBSERVAÇÃO**

Antes de colocar a nova geleira em funcionamento deverá limpar o interior e o exterior com um pano húmido por razões de higiene (ver também capítulo “Limpeza e manutenção” na página 170).

#### **Selecionar a unidade de temperatura**

Poderá selecionar a indicação de temperatura entre os valores para °Centígrados e °Fahrenheit. Para esse efeito, proceda do seguinte modo:

- Ligue a geleira.
  - Prima duas vezes o botão “SET”.
  - Regule a unidade de temperatura para °Centígrados ou °Fahrenheit com os botões “+” ou “-”.
- ✓ O mostrador indica, durante alguns segundos, a unidade de temperatura que foi regulada. O mostrador pisca algumas vezes antes de voltar a apresentar a temperatura atual.

## 6.2 Dicas sobre a economia de energia

- Escolha um local de utilização bem arejado e protegido de raios solares.
- Primeiro, deixe as refeições quentes arrefecer antes de as manter frescas.
- Não abra a geleira mais do que as vezes necessárias.
- Não deixe a geleira aberta mais tempo do que o necessário.
- Descongele a geleira logo que se formar uma camada de gelo.
- Evite uma temperatura interna desnecessariamente baixa.

## 6.3 Conectar a geleira

O aparelho de refrigeração pode ser operado com corrente contínua ou alternada.



### **NOTA! Perigo de danos!**

Desconecte a geleira e outros consumidores da bateria antes de carregar a mesma com um carregador rápido. As sobretensões podem danificar o sistema eletrónico dos aparelhos.

Para efeitos de segurança, a geleira está equipada com uma proteção eletrónica contra a inversão da polaridade quando é conectada à bateria e que também protege a geleira contra curto-circuitos.

- Encaixe o cabo de ligação de corrente contínua na entrada de corrente contínua e ligue-o à tomada de corrente contínua ou...
- ... encaixe o cabo de ligação de corrente alternada na entrada de corrente alternada e ligue-o à tomada de corrente alternada.
- Feche as tampas das entradas não utilizadas para impedir que se toque nelas inadvertidamente. Isto impede que a poeira, água e sujidade se introduzam na entrada.

## 6.4 Utilizar o monitorizador da bateria

O aparelho de refrigeração está equipado com um monitorizador da bateria que protege a bateria do veículo contra uma descarga demasiado profunda.

Se a geleira for operada com a ignição do veículo desligada, ela desliga-se automaticamente logo que a tensão de alimentação descer abaixo de um valor regulado. A geleira liga-se novamente assim que a tensão de ativação for alcançada graças ao carregamento da bateria.



### **NOTA! Perigo de danos!**

Quando a bateria é desligada pelo interruptor auxiliar, ela já não tem a capacidade de carga completa, evite arranques repetidos e a utilização de consumidores de corrente que não tenham fases de carregamento prolongadas. Tenha atenção para que a bateria seja recarregada.

No modo “HIGH”, o monitorizador da bateria é mais rapidamente ativado do que nos níveis “LOW” e “MED” (ver tabela abaixo).

| Modo do monitorizador da bateria | LOW    | MED    | HIGH   |
|----------------------------------|--------|--------|--------|
| Tensão de desconexão em 12 V     | 10,1 V | 11,4 V | 11,8 V |
| Tensão de reativação em 12 V     | 11,1 V | 12,2 V | 12,6 V |
| Tensão de desconexão em 24 V     | 21,5 V | 24,1 V | 24,6 V |
| Tensão de reativação em 24 V     | 23,0 V | 25,3 V | 26,2 V |

Para alterar o modo do monitorizador da bateria, proceda do seguinte modo:

- ▶ Ligue a geleira.
- ▶ Prima três vezes o botão “SET”.
- ▶ Regule com os botões “+” ou “-” o modo do monitorizador da bateria.
- ✓ O mostrador indica, durante alguns segundos, o modo regulado. O mostrador pisca algumas vezes antes de voltar a apresentar a temperatura atual.



### **OBSERVAÇÃO**

Quando a geleira é alimentada pela bateria de arranque, seleccione o modo do monitorizador da bateria “HIGH”. Quando a geleira está conectada a uma bateria de alimentação, é suficiente o modo do monitorizador da bateria “LOW”.

## 6.5 Utilizar a geleira

**NOTA! Perigo de sobreaquecimento!**

Tenha sempre atenção para que o calor gerado durante o funcionamento seja dissipado adequadamente. Tenha atenção para que as aberturas de ventilação não sejam cobertas. Certifique-se de que o aparelho está posicionado com uma distância suficiente em relação a paredes ou objetos de modo a que o ar possa circular livremente.

- ▶ Pouse a geleira sobre uma superfície estável. Tenha atenção para que as aberturas de ventilação não sejam cobertas e o ar aquecido possa sair adequadamente.

**OBSERVAÇÃO**

Coloque a geleira como ilustrado na (fig. **4**, página 3). Se a geleira for operada noutra posição, ela pode ficar danificada.

- ▶ Conecte a geleira, ver capítulo “Conectar a geleira” na página 165.

**NOTA! Perigo devido a temperatura demasiado baixa!**

Tenha atenção para que na geleira apenas se encontrem objetos ou produtos que possam ser refrigerados para a temperatura selecionada.

- ▶ Prima o botão “ON/OFF” durante um a dois segundos.
- ✓ O LED “POWER” acende.
- ✓ O mostrador liga-se e indica a temperatura de refrigeração atual.

**OBSERVAÇÃO**

A temperatura indicada refere-se ao centro do interior. A temperatura pode apresentar desvios em outros locais.

- ✓ A geleira inicia a refrigeração do interior.

**OBSERVAÇÃO**

No funcionamento com uma bateria, o mostrador desliga automaticamente quando a tensão da bateria é demasiado baixa. O LED “POWER” pisca a laranja.

## 6.6 Bloquear a tampa do aparelho de refrigeração

- Levante o bloqueio (fig. **1** 1, página 2) e feche a tampa.
- Solte o bloqueio.
- ✓ O bloqueio encaixa audivelmente e bloqueia o aparelho de refrigeração.

## 6.7 Regular a temperatura

- Prima uma vez o botão “SET”.
- Regule a temperatura de refrigeração com os botões “+” ou “-”.
- ✓ O monitor indica, durante alguns segundos, a temperatura de refrigeração pretendida que foi regulada. O mostrador pisca algumas vezes antes de voltar a apresentar a temperatura atual.

## 6.8 Desligar a geleira

- Esvazie a geleira.
- Desligue a geleira.
- Retire o cabo de conexão da tomada.

Se não pretender utilizar a geleira durante um período de tempo mais prolongado:

- Deixe a tampa ligeiramente aberta. Deste modo, evita a formação de odores.



## 6.9 Descongelar a geleira

A humidade do ar pode formar gelo no vaporizador ou no interior da geleira, o qual reduz a potência de arrefecimento. Descongele o aparelho atempadamente.



**NOTA! Perigo de danos!**

Nunca utilize ferramentas duras ou pontiagudas para retirar as camadas de gelo ou para libertar objetos congelados.

Proceda do seguinte modo para descongelar a geleira:

- Retire os produtos congelados.
- Eventualmente, guarde os mesmos numa outra geleira para que eles permaneçam no frio.
- Desligue o aparelho.
- Deixe a tampa aberta.
- Limpe a água de degelo.

## 6.10 Substituir o fusível

- Substitua o fusível (8 A 32 V) conforme apresentado (fig. 4, página 3).

## 7 Limpeza e manutenção

**AVISO!**

Antes de cada limpeza e conservação, separe o aparelho da rede.

**NOTA! Perigo de danos!**

- Nunca limpe a geleira debaixo de água corrente nem dentro de água de lavar a loiça.
- Não utilize produtos de limpeza abrasivos ou objectos duros para a limpeza, uma vez que podem danificar a geleira.

- De vez em quando, limpe o interior e o exterior do aparelho com um pano húmido.
- Certifique-se que as aberturas de ventilação e extracção de ar do aparelho estão livres de pó e sujidade para que, durante o funcionamento, o ar quente possa ser extraído e o aparelho não seja danificado.

## 8 Garantia

É válido o prazo de garantia legal. Se o produto estiver com defeito, por favor, dirija-se à representação do fabricante no seu país (endereços, ver verso do manual) ou ao seu revendedor.

Para fins de reparação ou de garantia, terá de enviar os seguintes documentos em conjunto:

- uma cópia da factura com a data de aquisição,
- um motivo de reclamação ou uma descrição da falha.

## 9 Resolução de falhas

| Falha   | Possível causa   | Sugestão de solução   |
|---|--|---|
| O aparelho de refrigeração não funciona, o LED "POWER" não acende.  | A tomada de corrente contínua existente no veículo não tem corrente.                           | Na maioria dos veículos, a ignição tem de estar ligada para que a tomada de corrente contínua tenha tensão elétrica.                                    |
| O aparelho não refrigera (ficha inserida na tomada, LED "POWER" acende).  | Compressor avariado.   | A reparação apenas pode ser realizada por uma assistência técnica autorizada.   |
| O aparelho não refrigera (ficha inserida na tomada, LED "POWER" pisca a laranja, mostrador desligado).  | Tensão da bateria insuficiente.  | Verifique a bateria e, se necessário, carregue-a.   |
| No funcionamento com tomada de corrente contínua:<br>A ignição está ligada, o aparelho de refrigeração não funciona e o LED "POWER" não acende. | O casquilho da tomada de corrente contínua está sujo. Isto resulta num mau contacto eléctrico. | Se a ficha ficar muito quente na tomada de corrente contínua, é necessário limpar o casquilho ou é possível que a ficha não esteja montada corretamente |
|   | O fusível da ficha de corrente contínua está queimado.   | Substitua o fusível (8 A) da ficha de corrente contínua, ver capítulo "Substituir o fusível" na página 169  |
|   | O fusível do veículo está queimado.  | Substitua o fusível do veículo da tomada de corrente contínua (normalmente 15 A) (para isso, consulte o manual de instruções do seu automóvel).         |
| O mostrador indica uma mensagem de erro (p.ex. "Err1") e o aparelho não refrigera.  | Uma falha de funcionamento interna desligou o aparelho.  | A reparação apenas pode ser realizada por uma assistência técnica autorizada.   |

## 10 Eliminação

- Sempre que possível, coloque o material de embalagem no respectivo contentor de reciclagem.



Para colocar o aparelho definitivamente fora de funcionamento, por favor, informe-se junto do centro de reciclagem mais próximo ou revendedor sobre as disposições de eliminação aplicáveis.

# 11 Dados técnicos

|                                       | FR34 AC/DC  | FR40 AC/DC                              |
|---------------------------------------|---|---|
| N.º de artigo:                        | 9600000537  | 9105330192                              |
| Tensão de conexão:                    | 12/24 V===<br>100 – 240 V~, 50/60 Hz  |   |
| Consumo:                              | 4 A (12 V===)<br>2 A (24 V===)<br>1,0 – 0,4 A (100 – 240 V~)                      |   |
| Capacidade de refrigeração:           | +10 °C até –10 °C<br>(+50°F até +14 °F)   | +10 °C até –10 °C<br>(+50°F até +14 °F) |
| Categoria:                            | Categoria 1<br>(Frigorífico com uma ou várias prateleiras para alimentos frescos) |   |
| Volume bruto:                         | 32,5 l  | 40 l                                    |
| Volume útil:                          | 31,0 l  | 38 l                                    |
| Classe de eficiência energética:      | A++   | A++                                     |
| Consumo de energia:                   | 51 kWh/ano  |   |
| Classe climática:                     | N   |   |
| Temperatura ambiente:                 | +16 °C até +32 °C   |   |
| Emissões acústicas:                   | 49 dB(A)  |   |
| Quantidade do agente de refrigeração: | 45 g  | 42 g                                    |
| Equivalente a CO <sub>2</sub> :       | 0,064 t   | 0,060 t                                 |
| Dimensões (C x L x A):                | 584 x 365 x 407 mm  | 584 x 365 x 446 mm                      |
| Peso:                                 | 11,4 kg   | 11,5 kg                                 |



### **OBSERVAÇÃO**

A partir de temperaturas ambiente acima de +32 °C (+90 °F), a temperatura mínima já não pode ser alcançada.

Verificação/Certificados:



O circuito de refrigeração contém R134a.

Contém gases fluorados com efeito de estufa

Equipamento hermeticamente fechado

Прочтите данную инструкцию перед вводом в эксплуатацию и сохраните ее. В случае передачи прибора передайте инструкцию следующему пользователю.

Изготовитель не несет ответственности за ущерб, вызванный использованием не по назначению или неправильным управлением.

## Оглавление

|           |   |     |
|-----------|---|-----|
| <b>1</b>  | <b>Пояснение символов</b> . . . . .               | 175 |
| <b>2</b>  | <b>Указания по технике безопасности</b> . . . . . | 176 |
| 2.1       | Общая безопасность . . . . .                      | 176 |
| 2.2       | Техника безопасности при работе прибора . . . . . | 177 |
| <b>3</b>  | <b>Объем поставки</b> . . . . .                   | 178 |
| <b>4</b>  | <b>Использование по назначению</b> . . . . .      | 179 |
| <b>5</b>  | <b>Описание работы</b> . . . . .                  | 179 |
| 5.1       | Объем функций . . . . .                           | 179 |
| 5.2       | Органы управления и индикации . . . . .           | 180 |
| <b>6</b>  | <b>Управление</b> . . . . .                       | 181 |
| 6.1       | Перед первым использованием . . . . .             | 181 |
| 6.2       | Советы по энергосбережению . . . . .              | 182 |
| 6.3       | Присоединение холодильника . . . . .              | 182 |
| 6.4       | Использование защитного реле . . . . .            | 183 |
| 6.5       | Использование холодильника . . . . .              | 184 |
| 6.6       | Блокировка крышки холодильника . . . . .          | 185 |
| 6.7       | Настройка температуры . . . . .                   | 185 |
| 6.8       | Выключение холодильника . . . . .                 | 185 |
| 6.9       | Оттаивание холодильника . . . . .                 | 186 |
| 6.10      | Замена предохранителя . . . . .                   | 186 |
| <b>7</b>  | <b>Чистка и уход</b> . . . . .                    | 187 |
| <b>8</b>  | <b>Гарантия</b> . . . . .                         | 187 |
| <b>9</b>  | <b>Устранение неисправностей</b> . . . . .        | 188 |
| <b>10</b> | <b>Утилизация</b> . . . . .                       | 188 |
| <b>11</b> | <b>Технические данные</b> . . . . .               | 189 |

# 1 Пояснение символов

**ПРЕДУПРЕЖДЕНИЕ!**

**Указания по технике безопасности:** Несоблюдение может привести к смертельному исходу или тяжелым травмам.

**ОСТОРОЖНО!**

**Указания по технике безопасности:** Несоблюдение может привести к травмам.

**ВНИМАНИЕ!**

Несоблюдение может привести к повреждениям и нарушить работу продукта.

**УКАЗАНИЕ**

Дополнительная информация по управлению продуктом.

## 2 Указания по технике безопасности

### 2.1 Общая безопасность



#### **ПРЕДУПРЕЖДЕНИЕ!**

- Запрещается вводить прибор в работу, если он имеет видимые повреждения,
- В случае повреждения питающего кабеля данного прибора он – во избежание опасностей – должен быть заменен изготовителем, сервисным центром или имеющим аналогичную квалификацию персоналом.
- Ремонт данного прибора разрешается выполнять только специалистам. Неправильно выполненный ремонт может приводить к серьезным опасностям.
- Этот прибор может использоваться детьми с 8-ми лет и старше, а также лицами с ограниченными физическими, сенсорными и умственными способностями или при недостатке необходимого опыта и/или знаний только под присмотром или после прохождения инструктажа по безопасному использованию прибора, если они поняли опасности, которые при этом могут возникнуть.
- Запрещается выполнять очистку и пользовательское техническое обслуживание детям без присмотра.
- Детям запрещается играть с прибором.
- За детьми необходимо постоянно следить, чтобы не допустить их игры с прибором.
- Поэтому храните и используйте прибор в месте, недоступном для детей младше 8-ми лет.
- Не храните в приборе взрывоопасные вещества, например, аэрозольные баллоны с горючим газами-вытеснителями.



#### **ОСТОРОЖНО!**

- Отсоединяйте прибор от сети
  - перед каждой чисткой и уходом
  - после каждого использования
- Продукты питания разрешается хранить только в оригинальной упаковке или подходящих емкостях.



**ВНИМАНИЕ!**

- Сравните значения напряжения, указанные на заводской табличке, с характеристиками имеющегося источника питания.
- Присоединяйте прибор следующим образом:
  - соединительным кабелем постоянного тока к источнику питания постоянного тока (например, к прикуривателю) в автомобиле
  - или соединительным кабелем переменного тока к сети переменного тока
- Не вытаскивайте штекер из розетки за питающий кабель.
- Если холодильник присоединен к розетке постоянного тока: Отсоедините холодильник и другие потребители от аккумуляторной батареи, прежде чем присоединить устройство для ускоренного заряда.
- Если холодильник присоединен к розетке постоянного тока: Прервите соединение или выключите холодильник перед выключением двигателя. В противном случае аккумуляторная батарея может разрядиться.
- Холодильник не предназначен для транспортировки едких или содержащих растворители веществ.
- Этот холодильный аппарат содержит в своей изоляции горючий циклопентан. Газы в изоляционном материале требуют особого метода утилизации. После окончания срока службы холодильного аппарата сдайте его должным образом в центр по утилизации.

## 2.2 Техника безопасности при работе прибора

**ОСТОРОЖНО!**

- Перед вводом в эксплуатацию убедитесь в том, что питающий кабель и штекер сухие.

**ВНИМАНИЕ!**

- Не используйте электрические приборы внутри холодильника, за исключением случаев, когда эти приборы рекомендованы для этого изготовителем.
- Не устанавливайте прибор вблизи открытого огня или других источников тепла (радиаторов отопления, сильных солнечных лучей, газовых печей и т. п.).

- **Опасность перегрева!**  
Постоянно следите за тем, чтобы образующееся при работе тепло могло быть надежно отведено. Прибор должен всегда находиться на достаточном расстоянии до стен или иных предметов, чтобы обеспечивалась хорошая циркуляция воздуха.
- Следите за тем, чтобы не перекрывались вентиляционные отверстия.
- Запрещается заполнять внутреннее пространство жидкостями или льдом.
- Не погружайте прибор в воду.
- Предохраняйте прибор и кабели от действия жары и влаги.

### 3 Объем поставки

| Кол-во | Наименование                           |
|--------|--|
| 1      | Компрессорный холодильник              |
| 1      | Соединительный кабель постоянного тока |
| 1      | Соединительный кабель переменного тока |
| 1      | Инструкция по эксплуатации             |

## 4 Использование по назначению

Компрессорный холодильник предназначен для охлаждения и замораживания продуктов питания. Компрессорный холодильник также пригоден для работы на катерах и лодках.

Компрессорный холодильник предназначен для работы от бортовой сети постоянного тока автомобиля, катера или жилого автомобиля, а также от сети переменного тока.



### **ОСТОРОЖНО! Опасность для здоровья!**

Проверьте, соответствует ли холодопроизводительность прибора требованиям продуктов питания или медикаментов, которые нужно охладить.

## 5 Описание работы

Холодильник предназначен для охлаждения продуктов и поддержания их в охлажденном состоянии, а также для глубокого охлаждения.

Охлаждение осуществляется не требующим обслуживания холодильным контуром с компрессором. Изоляция большой толщины и мощный компрессор обеспечивают особо быстрое охлаждение.

Холодильник подходит для мобильного использования.

При применении на катерах и лодках холодильник может быть подвергнут постоянному крену в 30°.

### 5.1 Объем функций

- Трехступенчатое реле контроля для защиты аккумуляторной батареи автомобиля
- Дисплей с индикацией температуры, при низком напряжении аккумуляторной батареи автоматически отключается
- Регулировка температуры: двумя кнопками с шагом 1 °C (2 °F)

## 5.2 Органы управления и индикации

Блокировка крышки: рис. **1** 1, стр. 2

Панель управления (рис. **2**, стр. 2)

| Поз. | Наименование | Пояснение   |
|------|--------------|---|
| 1    | ON<br>OFF    | Включает или выключает холодильник, если нажать кнопку на одну-две секунды  |
| 2    | POWER        | Индикатор<br>Светодиод горит зеленым светом: компрессор включен<br>Светодиод горит оранжевым светом: компрессор выключен<br>Светодиод мигает оранжевым светом: дисплей был автоматически отключен, т. к. низкое напряжение аккумуляторной батареи |
| 3    | ERROR        | Светодиод мигает красным светом: включенный прибор не готов к работе  |
| 4    | SET          | Выбирает режим ввода<br>– Регулировка температуры<br>– Указание температуры в градусах Цельсия или градусах Фаренгейта<br>– Настройка реле контроля батареи   |
| 5    | –            | Дисплей, отображает значения  |
| 6    | «+»          | Однократное нажатие увеличивает выбранную вводимую величину   |
| 7    | «-»          | Однократное нажатие уменьшает выбранную вводимую величину   |

Разъемы (рис. 3, стр. 2):

| Поз. | Наименование   |
|------|--|
| 1    | Соединительный разъем для питания переменным напряжением |
| 2    | Держатель предохранителя                                 |
| 3    | Крышка гнезда переменного тока                           |
| 4    | Крышка гнезда постоянного тока                           |
| 5    | Соединительный разъем для питания постоянным напряжением |

## 6 Управление

### 6.1 Перед первым использованием



#### **УКАЗАНИЕ**

Перед вводом нового холодильника в работу его, в гигиенических целях, следует протереть снаружи и изнутри влажной тряпкой (см. также гл. «Чистка и уход» на стр. 187).

#### **Выбор единицы измерения температуры**

Для указания температуры Вы можете выбрать между градусами Цельсия и градусами Фаренгейта. При этом соблюдайте следующий порядок действий:

- Включите холодильник.
- Нажмите кнопку «SET» два раза.
- Настройте кнопкой «+» или «-», индикацию температуры в градусах Цельсия или в градусах Фаренгейта.
- ✓ На дисплее на несколько секунд появляется настроенная единица измерения температуры. Дисплей мигает несколько раз, прежде чем вернуться к отображению текущей температуры.

## 6.2 Советы по энергосбережению

- Выбирайте хорошо проветриваемое, защищенное от солнечных лучей место применения.
- Дайте теплым блюдам охладиться, прежде чем поставить их в холодильник.
- Не открывайте холодильник чаще, чем это действительно необходимо.
- Не оставляйте крышку открытой дольше, чем это действительно необходимо.
- Оттаивайте холодильник, как только образовался слой льда.
- Избегайте излишне низкую внутреннюю температуру.

## 6.3 Присоединение холодильника

Холодильник может работать от постоянного или переменного тока.



### ***ВНИМАНИЕ! Опасность повреждений прибора!***

Отсоедините холодильник и другие потребители от батареи, прежде чем зарядить ее устройством для ускоренного заряда.

Перенапряжение может повредить электронные узлы приборов.

В целях безопасности холодильник оснащен электронной защитой от включения с неправильной полярностью, которая защищает холодильник от повреждений при неправильном включении и от короткого замыкания.

- Вставьте соединительный кабель постоянного тока в гнездо постоянного тока и подсоедините его к розетке постоянного тока или ...
- ... вставьте соединительный кабель переменного тока в гнездо переменного тока и подсоедините его к розетке переменного тока.
- Во избежание случайного прикосновения к разъемам закройте крышки не используемых разъемов. Кроме того, это предотвращает проникновение в разъемы пыли, воды и грязи.

## 6.4 Использование защитного реле

Холодильник оснащен многоступенчатым реле контроля батареи, которое защищает аккумуляторную батарею вашего автомобиля от глубокого разряда при присоединении к сети постоянного тока.

Если холодильник работает при выключенном зажигании в автомобиле, то холодильник отключается автоматически, как только напряжение питания падает ниже установленного значения. Холодильник включается снова, когда благодаря заряду батареи достигается напряжение повторного включения.



### **ВНИМАНИЕ! Опасность повреждений!**

При отключении защитным реле аккумуляторная батарея не имеет своей полной зарядной емкости; избегайте многократного пуска или работы потребителей тока без длительных периодов заряда. Следите за тем, чтобы аккумуляторная батарея снова заряжалась.

В режиме «HIGH» защитное реле срабатывает быстрее, чем в режиме «LOW» и «MED» (см. следующую таблицу).

| Режим работы защитного реле              | LOW    | MED    | HIGH   |
|--|--------|--------|--------|
| Напряжение выключения при 12 В           | 10,1 В | 11,4 В | 11,8 В |
| Напряжение повторного включения при 12 В | 11,1 В | 12,2 В | 12,6 В |
| Напряжение выключения при 24 В           | 21,5 В | 24,1 В | 24,6 В |
| Напряжение повторного включения при 24 В | 23,0 В | 25,3 В | 26,2 В |

Для изменения режима работы реле контроля соблюдайте следующий порядок действий:

- Включите холодильник.
- Нажмите кнопку «SET» три раза.
- Настройте кнопкой «+» или «-», режим работы реле контроля.
- ✓ На дисплее на несколько секунд появляется настроенный режим.. Дисплей мигает несколько раз, прежде чем вернуться к отображению текущей температуры.

**УКАЗАНИЕ**

Если питание холодильника осуществляется от стартерной аккумуляторной батареи, то выберите режим работы защитного реле «HIGH». Если питание холодильника осуществляется от питающей аккумуляторной батареи, то достаточно режима работы защитного реле «LOW».

## 6.5 Использование холодильника

**ВНИМАНИЕ! Опасность перегрева!**

Постоянно следите за тем, чтобы образующееся при работе тепло могло быть надежно отведено. Следите за тем, чтобы не перекрывались вентиляционные прорези. Прибор должен всегда находиться на достаточном расстоянии до стен или иных предметов, чтобы обеспечивалась хорошая циркуляция воздуха.

- ▶ Установите холодильник на прочную опору. Следите за тем, чтобы не перекрывались вентиляционные прорези и чтобы нагретый воздух мог хорошо отводиться.

**УКАЗАНИЕ**

Установите холодильник, как показано на рисунке (рис. 4, стр. 3). Если холодильник эксплуатировать в другом положении, то он может получить повреждения..

- ▶ Присоедините холодильник, см. гл. «Присоединение холодильника» на стр. 182.

**ВНИМАНИЕ! Опасность, вызванная слишком низкой температурой!**

Следите за тем, чтобы в холодильнике находились только предметы и продукты, которые разрешается охлаждать до выбранной температуры.

- ▶ Нажмите кнопку «ON/OFF» на одну-две секунды.
- ✓ Светодиод «POWER» загорается.
- ✓ Дисплей включается и показывает текущую температуру охлаждения.



**УКАЗАНИЕ**

Указываемая температура относится к центру внутреннего пространства. Температура в других точках может быть иной.

- ✓ Холодильник начинает охлаждать внутреннее пространство.

**УКАЗАНИЕ**

При работе от аккумуляторной батареи дисплей автоматически отключается, если напряжение батареи становится слишком низким. Светодиод «POWER» мигает оранжевым светом.

## 6.6 Блокировка крышки холодильника

- Поднимите стопор (рис. **1** 1, стр. 2) и закройте крышку.
- Отпустите стопор.
- ✓ Стопор фиксируется с характерным щелчком и блокирует холодильник.

## 6.7 Настройка температуры

- Нажмите кнопку «SET» один раз.
- Настройте кнопкой «+» или «-» температуру охлаждения.
- ✓ На дисплее на несколько секунд появляется настроенная температура охлаждения. Дисплей мигает несколько раз, прежде чем вернуться к отображению текущей температуры.

## 6.8 Выключение холодильника

- Опорожните холодильник.
- Выключите холодильник.
- Вытяните питающий кабель.

Если Вы не будете длительное время пользоваться холодильником:

- Оставьте крышку слегка открытой. Это предотвращает образование запахов.

## 6.9 Оттаивание холодильника

Влага из воздуха может выпадать на испарителе или в камере холодильника в виде снеговой шубы, которая уменьшает холодопроизводительность. Своевременно оттаивайте прибор.



### ***ВНИМАНИЕ! Опасность повреждений прибора!***

Для удаления слоя льда и отделения примерзших продуктов не используйте твердые или острые инструменты.

При оттаивании холодильника соблюдайте следующий порядок действий:

- Выньте охлаждаемые продукты.
- При необходимости, переложите их в другой холодильник, чтобы они оставались холодными.
- Отключите прибор.
- Оставьте крышку открытой.
- Вытрите оттаявшую воду.

## 6.10 Замена предохранителя

- Замените предохранитель (8 А 32 В), как показано на рисунке (рис. **4**, стр. 3).

## 7 Чистка и уход

**ПРЕДУПРЕЖДЕНИЕ!**

Перед чисткой и уходом всегда отсоединяйте прибор от сети.

**ВНИМАНИЕ! Опасность повреждения!**

- Категорически запрещается чистить прибор под струей воды или даже в емкости с водой.
- Не используйте для чистки абразивные чистящие средства или острые предметы, т. к. они могут привести к повреждениям холодильника.

- Периодически очищайте прибор снаружи и изнутри влажной тряпкой.
- Убедитесь в том, что приточно-вытяжные вентиляционные отверстия очищены от пыли загрязнений, чтобы можно было отвести возникающее при работе тепло и предотвратить опасность повреждения прибора.

## 8 Гарантия

Действителен установленный законом срок гарантии. Если продукт неисправен, обратитесь в представительство изготовителя в Вашей стране (адреса см. на оборотной стороне инструкции) или в торговую организацию.

В целях проведения ремонта или гарантийного обслуживания Вы должны также послать следующие документы:

- копию счета с датой покупки,
- причину рекламации или описание неисправности.

## 9 Устранение неисправностей

| Неисправность   | Возможная причина   | Вариант устранения  |
|---|---|---|
| Холодильник не работает, светодиод «POWER» не горит.  | В розетке постоянного тока в автомобиле отсутствует напряжение.                         | В большинстве автомобилей для подачи напряжения на розетку постоянного тока необходимо включить зажигание.                                    |
| Прибор не охлаждает (штекер вставлен, светодиод «POWER» горит).   | Неисправен компрессор.  | Ремонт разрешается выполнять только авторизованному сервисному центру.  |
| Прибор не охлаждает (штекер вставлен, светодиод «POWER» мигает оранжевым светом, дисплей выключен).                 | Недостаточное напряжение батареи.   | Проверьте батарею и, при необходимости, зарядите ее.  |
| При работе от розетки постоянного тока:<br>Зажигание включено, холодильник не работает, светодиод «POWER» не горит. | Патрон розетки постоянного тока загрязнен. Это ведет к плохому электрическому контакту. | Если штекер сильно нагревается в розетке постоянного тока, то либо необходимо очистить патрон, либо, вероятно, что неправильно собран штекер. |
|   | Перегорел предохранитель штекера постоянного тока.                                      | Замените предохранитель (8 А) штекера постоянного тока, см. гл. «Замена предохранителя» на стр. 186   |
|   | Перегорел предохранитель в бортовой сети автомобиля.                                    | Замените предохранитель розетки постоянного тока (обычно 15 А) (при этом соблюдайте инструкцию по эксплуатации автомобиля).                   |
| На дисплее отображается сообщение об ошибке (например, «Err1»), и прибор не охлаждает.                              | Внутренний сбой отключил прибор.  | Ремонт разрешается выполнять только авторизованному сервисному центру.  |

## 10 Утилизация

- По возможности, выкидывайте упаковочный материал в мусор, подлежащий вторичной переработке.



Если Вы окончательно выводите продукт из эксплуатации, то получите информацию в ближайшем центре по вторичной переработке или в торговой сети о соответствующих предписаниях по утилизации.

# 11 Технические данные

|                               | FR34 AC/DC  | FR40 AC/DC                                   |
|-------------------------------|---|--|
| Арт. №:                       | 9600000537  | 9105330192                                   |
| Подводимое напряжение:        | 12/24 В===<br>100 – 240 В~, 50 / 60 Гц  |  |
| Потребляемая мощность:        | 5,3 Вт (12 В===)<br>2,6 Вт (24 В===)<br>0,4 – 1,0 Вт (100 – 240 В~)                       |  |
| Мощность охлаждения:          | от +10 °С до –10 °С<br>(от +50 °F до +14 °F)  | от +10 °С до –10 °С<br>(от +50 °F до +14 °F) |
| Категория:                    | категория 1<br>(холодильник с одним или несколькими ящиками для свежих продуктов питания) |  |
| Емкость брутто:               | 32,5 л  | 40 л   |
| Полезный объем:               | 31,0 л  | 38 л   |
| Класс энергоэффективности:    | A++   | A++  |
| Потребление энергии:          | 51 кВт*ч/год  |  |
| Климатический класс:          | N   |  |
| Температура окружающей среды: | от +16 °С до +32 °С   |  |
| Акустическая эмиссия:         | 49 дБ (A)   |  |
| Количество хладагента:        | 45 г  | 42 г   |
| Эквивалент CO <sub>2</sub> :  | 0,064 т   | 0,060 т                                      |
| Размеры (Д x Ш x В):          | 584 x 365 x 407 mm  | 584 x 365 x 446 mm                           |
| Вес:                          | 11,4 кг   | 11,5 кг                                      |



### УКАЗАНИЕ

При температурах окружающего воздуха свыше +32 °С (+90 °F) минимальная температура более не может быть достигнута.

Испытания/сертификаты:



Холодильный контур содержит R134a.

Содержит фторированные парниковые газы

Герметически закрытая конструкция

**Przed uruchomieniem urządzenia należy uważnie przeczytać niniejszą instrukcję. Instrukcję należy zachować. W razie przekazywania urządzenia należy ją przekazać kolejnemu nabywcy.**

Producent nie odpowiada za szkody powstałe w **wyniku użytkowania niezgodnego z przeznaczeniem lub niewłaściwej obsługi.**

## Spis treści

|           |  |     |
|-----------|--|-----|
| <b>1</b>  | <b>Objaśnienia symboli</b> .....                     | 192 |
| <b>2</b>  | <b>Zasady bezpieczeństwa</b> .....                   | 192 |
| 2.1       | Ogólne bezpieczeństwo .....                          | 192 |
| 2.2       | Bezpieczeństwo podczas eksploatacji urządzenia ..... | 194 |
| <b>3</b>  | <b>Zakres dostawy</b> .....                          | 195 |
| <b>4</b>  | <b>Użytkowanie zgodne z przeznaczeniem</b> .....     | 195 |
| <b>5</b>  | <b>Opis funkcji</b> .....                            | 195 |
| 5.1       | Zakres funkcji .....                                 | 196 |
| 5.2       | Elementy obsługi i wskaźników .....                  | 196 |
| <b>6</b>  | <b>Obsługa</b> .....                                 | 197 |
| 6.1       | Przed pierwszym użyciem .....                        | 197 |
| 6.2       | Rady dotyczące oszczędzania energii .....            | 198 |
| 6.3       | Podłączanie lodówki .....                            | 198 |
| 6.4       | Użycie czujnika ochrony akumulatora .....            | 198 |
| 6.5       | Eksploatacja przenośnej lodówki .....                | 200 |
| 6.6       | Blokowanie pokrywy urządzenia chłodniczego .....     | 201 |
| 6.7       | Ustawianie temperatury .....                         | 201 |
| 6.8       | Wyłączanie lodówki przenośnej .....                  | 201 |
| 6.9       | Odszranianie lodówki przenośnej .....                | 202 |
| 6.10      | Wymiana bezpiecznika .....                           | 202 |
| <b>7</b>  | <b>Czyszczenie</b> .....                             | 203 |
| <b>8</b>  | <b>Gwarancja</b> .....                               | 203 |
| <b>9</b>  | <b>Usuwanie usterek</b> .....                        | 204 |
| <b>10</b> | <b>Utylizacja</b> .....                              | 204 |
| <b>11</b> | <b>Dane techniczne</b> .....                         | 205 |

# 1 Objąśnienia symboli

**OSTRZEŻENIE!**

**Wskazówka dot. bezpieczeństwa:** Nieprzestrzeganie może prowadzić do śmierci lub ciężkich obrażeń ciała.

**OSTROŻNIE!**

**Wskazówka dot. bezpieczeństwa:** Nieprzestrzeganie może prowadzić do obrażeń ciała.

**UWAGA!**

Nieprzestrzeganie może prowadzić do powstania szkód materialnych i zakłóceń w działaniu produktu.

**WSKAZÓWKA**

Informacje uzupełniające dot. obsługi produktu.

## 2 Zasady bezpieczeństwa

### 2.1 Ogólne bezpieczeństwo

**OSTRZEŻENIE!**

- Uruchamianie urządzenia jest zabronione, gdy ma ono widoczne uszkodzenia.
- Gdy przewód zasilania ulegnie uszkodzeniu, musi zostać wymieniony przez producenta, jego serwis lub podobnie wykwalifikowaną osobę, aby uniknąć zagrożenia.
- Napraw mogą dokonywać tylko odpowiednio wykwalifikowane osoby. Niefachowe naprawy mogą spowodować poważne niebezpieczeństwo.
- Dzieci od 8 roku życia i osoby o ograniczonych możliwościach fizycznych, sensorycznych lub umysłowych oraz/lub osoby niedysponujące stosowną wiedzą i doświadczeniem mogą użytkować to urządzenie, o ile osoby te znajdują się pod nadzorem lub zostały poinstruowane w zakresie bezpiecznego użytkowania urządzenia i zrozumiały ewentualne zagrożenia wynikające z niewłaściwego użytkowania.



- Dzieci nie mogą również czyścić i konserwować urządzenia bez nadzoru.
- Dzieci nie mogą bawić się urządzeniem.
- Należy dopilnować, aby dzieci nie bawiły się urządzeniem.
- Urządzenie należy stosować i przechowywać poza zasięgiem dzieci poniżej 8 roku życia.
- W urządzeniu nie wolno przechowywać substancji wybuchowych, np. pojemników aerozolowych z palnym gazem wytłaczającym.

**OSTROŻNIE!**

- Urządzenie należy odłączyć od sieci
  - przed każdym czyszczeniem i konserwacją
  - po każdym użyciu
- Środki spożywcze mogą być przechowywane tylko w oryginalnych opakowaniach lub odpowiednich pojemnikach.

**UWAGA!**

- Należy porównać dane dotyczące napięcia na tabliczce znamionowej z danymi dostępnego źródła zasilania.
- Urządzenie można podłączać tylko w następujący sposób:
  - do gniazda pokładowego prądu stałego pojazdu (np. gniazda zapalniczki) za pomocą przewodu przyłączeniowego prądu stałego
  - lub za pomocą przewodu przyłączeniowego prądu przemiennego do sieci prądu przemiennego
- Wtyczki nie należy nigdy wyciągać z gniazda zapalniczki samochodowej ani gniazodka elektrycznego, pociągając za przewód zasilania.
- Jeśli przenośna lodówka jest podłączona do gniazodka DC: Przed podłączeniem do ładowarki należy odłączyć lodówkę i inne urządzenia od akumulatora.
- Jeśli przenośna lodówka jest podłączona do gniazodka DC: Wyłączając silnik należy odłączyć urządzenie lub je wyłączyć. W przeciwnym razie akumulator może się rozładować.
- Przenośna lodówka nie nadaje się do transportu substancji żrących lub zawierających rozpuszczalniki!

- Izolacja tego urządzenia chłodniczego zawiera cyklopentan. Znajdujące się w materiale izolacyjnym gazy wymagają specjalnej procedury utylizacyjnej. Nienadające się do dalszej eksploatacji urządzenie chłodnicze należy dostarczyć do specjalistycznego zakładu utylizacyjnego.

## 2.2 Bezpieczeństwo podczas eksploatacji urządzenia



### **OSTROŻNIE!**

- Przed użyciem należy sprawdzić, czy przewód i wtyczka są suche.



### **UWAGA!**

- Wewnątrz przenośnej lodówki nie należy używać żadnych urządzeń elektrycznych – z wyjątkiem urządzeń zaleconych przez producenta.
- Nie należy ustawiać urządzenia w pobliżu otwartego ognia i innych źródeł ciepła (ogrzewanie, silne promieniowanie słoneczne, piec gazowy itp.).
- **Niebezpieczeństwo przegrzania!**  
Należy zawsze pamiętać, że ciepło powstające przy eksploatacji musi być odpowiednio odprowadzone. Należy zadbać o to, aby urządzenie stało w odpowiedniej odległości od ścian lub przedmiotów, tak by możliwa była cyrkulacja powietrza.
- Należy uważać, aby nie zakrywać otworów wentylacyjnych.
- Wypełnianie wewnętrznego pojemnika cieciami i lodem jest zabronione.
- Zanurzanie urządzenia w wodzie jest zabronione.
- Urządzenie i przewody należy chronić przed wysoką temperaturą i wilgocią.

### 3 Zakres dostawy

| Ilość | Nazwa                                   |
|-------|---|
| 1     | Przenośna lodówka kompresorowa          |
| 1     | Kabel przyłączeniowy prądu stałego      |
| 1     | Kabel przyłączeniowy prądu przemiennego |
| 1     | Instrukcja obsługi                      |

### 4 Użytkowanie zgodne z przeznaczeniem

Lodówka kompresorowa jest przeznaczona do chłodzenia i mrożenia artykułów spożywczych. Lodówka kompresorowa nadaje się również do używania na łodziach.

Lodówka kompresorowa jest przeznaczona do podłączania do gniazda wtykowego prądu stałego w samochodzie, na łodzi lub w samochodzie kempingowym. Można ją również podłączyć do gniazda wtykowego prądu przemiennego.



#### **OSTROŻNIE! Zagrożenie zdrowia!**

Należy sprawdzić, czy wydajność chłodzenia odpowiada wymaganiom związanym z przechowywaną żywnością lub lekami.

### 5 Opis funkcji

Lodówka przenośna może chłodzić, utrzymywać w chłodzie i zamrażać artykuły.

Chłodzenie odbywa się za pomocą bezobsługowego obiegu chłodzenia z kompresorem. Bardzo dobra izolacja i wydajny kompresor zapewniają wyjątkowo szybkie chłodzenie.

Lodówka przenośna to urządzenie mobilne.

Podczas stosowania urządzenia na łodziach przechył ciągły może wynosić maksymalnie 30°.

## 5.1 Zakres funkcji

- Trzypoziomowy czujnik ochrony akumulatora do zabezpieczenia akumulatora pojazdu
- Wyświetlacz ze wskaźnikiem temperatury wyłączający się automatycznie w przypadku niskiego napięcia akumulatora
- Regulacja temperatury: z dwoma klawiszami; dwie opcje wyświetlania – °C lub °F

## 5.2 Elementy obsługi i wskaźników

Blokada pokrywy: rys. **1** 1, strona 2

Panel sterowania (rys. **2**, strona 2)

| Poz. | Nazwa                        | Legenda   |
|------|------------------------------|---|
| 1    | ON/OFF<br>(włącz/<br>wyłącz) | Włącza lub wyłącza przenośną lodówkę, gdy przycisk jest naciskany przez jedną do dwóch sekund   |
| 2    | POWER<br>(zasilanie)         | Wskaźnik trybu pracy<br>Dioda LED świeci się na zielono: Kompresor jest włączony<br>Dioda LED świeci się na pomarańczowo: Kompresor jest wyłączony<br>Dioda LED mruga pomarańczowym światłem: Wyświetlacz został automatycznie wyłączony z powodu niskiego napięcia akumulatora |
| 3    | ERROR<br>(błąd)              | Dioda LED miga czerwonym światłem: Włączone urządzenia nie jest gotowe do użycia  |
| 4    | SET<br>(ustawienia)          | Wybiera tryb wprowadzania<br>– Regulacja temperatury<br>– Określenie trybu wprowadzania °Celsiusz lub °Fahrenheit<br>– Ustawianie czujników ochrony akumulatora   |
| 5    | –                            | Wyświetlacz prezentuje wartości   |
| 6    | „+”                          | Jednorazowe naciśnięcie podwyższa wybraną wartość wejściową   |
| 7    | „-”                          | Jednorazowe naciśnięcie obniża wybraną wartość wejściową  |

Przyłącza (rys. **3**, strona 2):

| Poz. | Nazwa  |
|------|--|
| 1    | Gniazdo przyłączeniowe zasilania napięciem przemiennym |
| 2    | Gniazdo bezpiecznika                                   |
| 3    | Ośłona gniazda prądu przemiennego                      |
| 4    | Ośłona gniazda prądu stałego                           |
| 5    | Gniazdo przyłączeniowe zasilania napięciem stałym      |

## 6 Obsługa

### 6.1 Przed pierwszym użyciem



#### **WSKAZÓWKA**

Przed pierwszym użyciem lodówki należy, ze względów higienicznych, wyczyścić ją od wewnątrz i z zewnątrz wilgotną ściereczką (patrz również rozdz. „Czyszczenie” na stronie 203).

#### **Wybór jednostki temperatury**

Przy ustawianiu temperatury można wybrać wartości wyrażone w stopniach Celsjusza i Fahrenheita. W tym celu należy postąpić w następujący sposób:

- ▶ Włączyć przenośną lodówkę.
  - ▶ Dwukrotnie nacisnąć klawisz „SET”.
  - ▶ Za pomocą klawiszy „+” lub „-”, ustawić jednostkę temperatury °Celsiusz lub °Fahrenheit.
- ✓ Na wyświetlaczu przez kilka sekund przedstawiona jest ustawiona jednostka temperatury. Wyświetlacz kilkakrotnie mruga przed wyświetleniem aktualnej temperatury.

## 6.2 Rady dotyczące oszczędzania energii

- Wybierz miejsce z dobrą wentylacją, nienarażone na promieniowanie słoneczne.
- Schłódź ciepłe potrawy przed ich włożeniem do urządzenia.
- Nie otwieraj lodówki częściej niż jest to konieczne.
- Nie zostawiaj otwartej lodówki dłużej niż to jest konieczne.
- Lodówkę należy odszraniać zaraz po wytworzeniu się warstwy lodu.
- Unikaj zbyt niskiej temperatury wewnętrznej.

## 6.3 Podłączanie lodówki

To urządzenie chłodnicze może być zasilane prądem stałym lub przemiennym.



### ***UWAGA! Niebezpieczeństwo uszkodzenia urządzenia!***

Przed ładowaniem akumulatora za pomocą ładowarki należy odłączyć od niego lodówkę lub inne odbiorniki prądu. Przepięcia mogą uszkodzić elektronikę urządzeń.

Przenośną lodówkę wyposażono w zabezpieczenie chroniące przed nieprawidłowym połączeniem biegunów przy podłączeniu akumulatora oraz przed zwarciami.

- Wetknąć kabel przyłączeniowy prądu stałego w gniazdo prądu stałego i podłączyć go do gniazda wtykowego prądu stałego lub
- wetknąć kabel przyłączeniowy prądu przemiennego w gnieździe prądu przemiennego i podłączyć go do gniazda wtykowego prądu przemiennego.
- Nieużywane gniazda zamknąć osłonami, aby wykluczyć przypadkowe dotknięcie. W ten sposób są one chronione przed kurzem, wodą i zabrudzeniem.

## 6.4 Użycie czujnika ochrony akumulatora

Urządzenie chłodnicze jest wyposażone w wielopoziomowy układ monitorowania stanu akumulatora, który przy podłączaniu do sieci prądu stałego chroni akumulator pojazdu przed głębokim rozładowaniem.

Jeżeli lodówka jest eksploatowana przy wyłączonym zapłonie w pojeździe, wyłączy się samodzielnie, gdy napięcie spadnie poniżej możliwej do ustawienia wartości. Lodówka włączy się ponownie, gdy poprzez naładowanie akumulatora uzyskane zostanie napięcie wystarczające do ponownego włączenia.



### **UWAGA! Ryzyko uszkodzenia!**

Po wyłączeniu akumulatora przez jego czujniki ochrony nie ma on już swojej pełnej ładowności, należy więc unikać wielokrotnego uruchamiania lub eksploataowania odbiorników energii bez dłuższych faz ładowania. Należy pamiętać o ponownym naładowaniu akumulatora.

W trybie „HIGH” czujniki akumulatora reagują szybciej niż na poziomie „LOW” i „MED (patrz poniższa tabela).

| Tryb czujnika ochrony akumulatora      | LOW    | MED    | HIGH   |
|--|--------|--------|--------|
| Napięcie wyłączeniowe przy 12 V        | 10,1 V | 11,4 V | 11,8 V |
| Napięcie ponownego włączenia przy 12 V | 11,1 V | 12,2 V | 12,6 V |
| Napięcie wyłączeniowe przy 24 V        | 21,5 V | 24,1 V | 24,6 V |
| Napięcie ponownego włączenia przy 24 V | 23,0 V | 25,3 V | 26,2 V |

W celu zmiany trybu czujnika ochrony akumulatora należy postępować w następujący sposób:

- Włączyć przenośną lodówkę.
- Trzykrotnie nacisnąć klawisz „SET”.
- Za pomocą klawiszy „+” lub „-”, ustawić tryb czujnika ochrony akumulatora.
- ✓ Na wyświetlaczu przez kilka sekund przedstawiony jest ustawiony tryb. Wyświetlacz kilkakrotnie mruga przed wyświetleniem aktualnej temperatury.



### **WSKAZÓWKA**

Jeżeli lodówka jest zaopatrzona w baterię rozruchową, należy wybrać tryb „HIGH” czujnika ochrony akumulatora. Jeżeli lodówka jest podłączona do akumulatora, wystarczający jest tryb „LOW” czujnika ochrony akumulatora.

## 6.5 Eksploatacja przenośnej lodówki



### ***UWAGA! Niebezpieczeństwo przegrzania!***

Należy zawsze pamiętać, że ciepło powstające przy eksploatacji musi być odpowiednio odprowadzane. Należy uważać, aby nie zakryć otworu wentylacyjnego. Należy zadbać o to, aby urządzenie stało w odpowiedniej odległości od ścian lub przedmiotów, tak by możliwa była cyrkulacja powietrza.

- ▶ Przenośną lodówkę postaw na stałym podłożu. Trzeba pamiętać, aby nie były zakryte otwory wentylacyjne, przez które może uchodzić nagrzane powietrze.



### **WSKAZÓWKA**

Przenośną lodówkę należy ustawić w sposób przedstawiony na (rys. 4, strona 3). Eksploatowanie lodówki w innej pozycji może spowodować jej uszkodzenie.

- ▶ Podłącz lodówkę, patrz rozdz. „Podłączanie lodówki” na stronie 198.



### ***UWAGA! Zagrożenie spowodowane zbyt niską temperaturą!***

Należy uważać, aby w lodówce znajdowały się tylko rzeczy lub produkty, które mogą być chłodzone do wybranej temperatury.

- ▶ Naciskaj przycisk „ON/OFF” przez jedną do dwóch sekund.
- ✓ Świeci się dioda LED „POWER”.
- ✓ Wyświetlacz włącza się i przedstawia aktualną temperaturę chłodzenia.



### **WSKAZÓWKA**

Wskazywana jest temperatura panująca pośrodku komory urządzenia. Temperatura panująca w innych miejscach może się różnić od wskazywanej.

- ✓ Przenośna lodówka zaczyna chłodzić komorę.



### **WSKAZÓWKA**

W przypadku zasilania akumulatorem wyświetlacz automatycznie się wyłączy, jeżeli napięcie akumulatora będzie niskie. Dioda LED „POWER” miga pomarańczowym światłem.



## 6.6 Blokowanie pokrywy urządzenia chłodniczego

- Unieść blokadę (rys. **1** 1, strona 2) i zamknąć pokrywę
- Zwolnić blokadę.
- ✓ Blokada zatrzaskuje się wyraźnie i blokuje urządzenie chłodnicze.

## 6.7 Ustawianie temperatury

- Jednokrotnie naciśnij klawisz „SET”.
- Za pomocą klawiszy „+” lub „-” ustaw temperaturę chłodzenia.
- ✓ Na wyświetlaczu przez kilka sekund wyświetla się ustawiona wymagana temperatura chłodzenia. Wyświetlacz kilkakrotnie mruga przed wyświetleniem aktualnej temperatury.

## 6.8 Wyłączanie lodówki przenośnej

- Opróżnij lodówkę.
- Wyłącz lodówkę.
- Wyciągnij przewód przyłączeniowy.

W przypadku gdy lodówka nie będzie eksploatowana przez dłuższy czas, należy:

- Pozostawić pokrywę lekko otwartą. Dzięki temu nie wytworzą się nieprzyjemne zapachy.

## 6.9 Odszranianie lodówki przenośnej

Wilgotne powietrze może się osadzać na parowniku lub wewnątrz lodówki w postaci szronu, który ogranicza wydajność chłodzenia. Należy w odpowiednim czasie odszronić urządzenie.



### ***UWAGA! Niebezpieczeństwo uszkodzenia urządzenia!***

Do usuwania warstw lodu i do oddzielania mocno zamrożonych artykułów od powierzchni zamrażarki nie należy używać twardych lub ostrych narzędzi.

Aby odszronić lodówkę przenośną, należy postępować w następujący sposób:

- Wyjąć chłodzone artykuły.
- Włożyć je do innego urządzenia chłodzącego, tak aby pozostały zimne.
- Wyłączyć urządzenie.
- Pozostawić otwartą pokrywę.
- Zetrzeć wodę powstałą w wyniku odszraniania.

## 6.10 Wymiana bezpiecznika

- Wymienić bezpiecznik (8 A 32 V) w przedstawiony sposób (rys. **4**, strona 3).

## 7 Czyszczenie

**OSTRZEŻENIE!**

Przed każdym czyszczeniem należy odłączyć urządzenie od sieci.

***UWAGA! Niebezpieczeństwo uszkodzenia!***

- Przenośnej lodówki nie wolno nigdy czyścić pod bieżącą wodą ani zamaczać w wodzie.
- Do czyszczenia nie należy używać agresywnych środków czyszczących ani twardych przedmiotów, gdyż mogą uszkodzić lodówkę.

- Obudowę należy czyścić od czasu do czasu wilgotną ściereczką od wewnątrz i na zewnątrz.
- Należy upewnić się, że otwory wentylacyjne urządzenia nie są zabrudzone ani zakurzone, aby możliwe było odprowadzanie ciepła podczas pracy urządzenia, co pozwoli uniknąć uszkodzenia urządzenia.

## 8 Gwarancja

Warunki gwarancji zostały opisane w Karcie Gwarancyjnej dołączonej do produktu.

W celu naprawy lub rozpatrzenia gwarancji konieczne jest przesłanie:

- kopii rachunku z datą zakupu,
- informacji o przyczynie reklamacji lub opisu wady.

## 9 Usuwanie usterek

| Usterka   | Możliwa przyczyna  | Proponowane rozwiązanie   |
|---|--|---|
| Urządzenie chłodnicze nie działa, nie świeci się dioda LED „POWER”.   | Brak napięcia w gnieździe samochodowym.  | W większości pojazdów konieczne jest włączenie zapłonu, aby w gnieździe prądu stałego było napięcie.  |
| Urządzenie nie chłodzi (wtyczka jest włożona, świeci się dioda LED „POWER”).  | Uszkodzony kompresor.  | Naprawę może wykonać tylko autoryzowany serwis.   |
| Urządzenie nie chłodzi (wtyczka jest włożona, dioda LED „POWER” miga pomarańczowym światłem, wyświetlacz jest wyłączony).           | Napięcie akumulatora jest niewystarczające.  | Należy sprawdzić akumulator i ewentualnie go naładować.   |
| Podczas zasilania z gniazda prądu stałego: Zapłon jest włączony, urządzenie chłodnicze nie działa, nie świeci się dioda LED „POWER” | Gniazdo prądu stałego jest zabrudzone. Powoduje to nieprawidłowy styk elektryczny. | Gdy wtyczka w gnieździe prądu stałego jest zbyt ciepła, należy oczyścić gniazdo. Innym powodem może być nieprawidłowo zmontowana wtyczka.     |
|   | Bezpiecznik wtyczki prądu stałego jest przepalony.                                 | Wymienić bezpiecznik (8 A) wtyczki prądu stałego, patrz rozdz. „Wymiana bezpiecznika” na stronie 202  |
|   | Bezpiecznik pojazdu jest przepalony.   | Wymienić bezpiecznik samochodowy gniazda prądu stałego (zwykle 15 A), uwzględniając przy tym informacje zawarte w instrukcji obsługi pojazdu. |
| Na wyświetlaczu wyświetla się komunikat o błędzie (np. „Err1”) i urządzenie nie chłodzi.  | Usterki w działaniu spowodowały wyłączenie urządzenia.                             | Naprawę może wykonać tylko autoryzowany serwis.   |

## 10 Utylizacja

- Opakowanie należy wyrzucić do odpowiedniego pojemnika na śmieci do recyklingu.



Jeżeli produkt nie będzie dłużej eksploatowany, koniecznie dowiedz się w najbliższym zakładzie recyklingu lub w specjalistycznym sklepie, jakie są aktualnie obowiązujące przepisy dotyczące utylizacji.

# 11 Dane techniczne

|                                   | FR34 AC/DC  | FR40 AC/DC                                   |
|-----------------------------------|---|--|
| Nr produktu:                      | 9600000537  | 9105330192                                   |
| Napięcie przyłączeniowe:          | 12/24 V===<br>100 – 240 V~, 50/60 Hz  |  |
| Pobór mocy:                       | 4 A (12 V===)<br>2 A (24 V===)<br>1,0 – 0,4 A (100 – 240 V~)                            |  |
| Zakres temperatury chłodzenia:    | od +10 °C do –10 °C<br>(od +50 °F do +14 °F)  | od +10 °C do –10 °C<br>(od +50 °F do +14 °F) |
| Kategoria:                        | Kategoria 1<br>(lodówka z jedną lub kilkoma półkami do przechowywania świeżej żywności) |  |
| Pojemność brutto:                 | 32,5 l  | 40 l   |
| Pojemność użytkowa:               | 31,0 l  | 38 l   |
| Klasa efektywności energetycznej: | A++   | A++  |
| Zużycie energii:                  | 51 kWh/rok  |  |
| Klasa klimatyczna:                | N   |  |
| Temperatura otoczenia:            | od +16 °C do +32 °C   |  |
| Emisja hałasu:                    | 49 dB(A)  |  |
| Ilość czynnika chłodzącego:       | 45 g  | 42 g   |
| Ekwiwalent CO <sub>2</sub> :      | 0,064 t   | 0,060 t                                      |
| Wymiary (D x Sz x W):             | 584 x 365 x 407 mm  | 584 x 365 x 446 mm                           |
| Ciężar:                           | 11,4 kg   | 11,5 kg                                      |



## WSKAZÓWKA

Przy temperaturze otoczenia wynoszącej powyżej +32 °C (+90 °F) nie można osiągnąć minimalnej temperatury.

Kontrola/certyfikaty:



Obieg chłodzący zawiera R134a.

Zawiera fluorowane gazy cieplarniane

Hermeticznie zamknięte urządzenie

**Před uvedením do provozu si pečlivě přečtěte tento návod k obsluze a uschovejte jej. V případě dalšího prodeje přístroje předejte návod novému uživateli.**

Výrobce neručí za škody, které vzniknou **nesprávným použitím** nebo **nesprávnou obsluhou**.

## Obsah

|           |  |     |
|-----------|--|-----|
| <b>1</b>  | <b>Vysvětlení symbolů</b> .....          | 208 |
| <b>2</b>  | <b>Bezpečnostní pokyny</b> .....         | 208 |
| 2.1       | Obecná bezpečnost .....                  | 208 |
| 2.2       | Bezpečnost za provozu přístroje .....    | 210 |
| <b>3</b>  | <b>Obsah dodávky</b> .....               | 210 |
| <b>4</b>  | <b>Použití v souladu s účelem</b> .....  | 210 |
| <b>5</b>  | <b>Popis funkce</b> .....                | 211 |
| 5.1       | Funkce zařízení .....                    | 211 |
| 5.2       | Ovládací a indikační prvky .....         | 212 |
| <b>6</b>  | <b>Obsluha</b> .....                     | 213 |
| 6.1       | Před prvním použitím .....               | 213 |
| 6.2       | Tipy k úspoře energie .....              | 213 |
| 6.3       | Připojení chladicího boxu .....          | 214 |
| 6.4       | Použití snímače stavu baterie .....      | 214 |
| 6.5       | Používání chladicího boxu .....          | 215 |
| 6.6       | Zajištění víka ledničky .....            | 216 |
| 6.7       | Nastavení teploty .....                  | 216 |
| 6.8       | Vypnutí chladicího boxu .....            | 217 |
| 6.9       | Odmrazování chladicího boxu .....        | 217 |
| 6.10      | Výměna pojistky .....                    | 217 |
| <b>7</b>  | <b>Čištění a péče</b> .....              | 218 |
| <b>8</b>  | <b>Záruka</b> .....                      | 218 |
| <b>9</b>  | <b>Odstraňování poruch a závad</b> ..... | 219 |
| <b>10</b> | <b>Likvidace</b> .....                   | 219 |
| <b>11</b> | <b>Technické údaje</b> .....             | 220 |

# 1 Vysvětlení symbolů

**VÝSTRAHA!**

**Bezpečnostní pokyny:** Následkem nedodržení pokynů mohou být smrtelná nebo vážná zranění.

**UPOZORNĚNÍ!**

**Bezpečnostní pokyny:** Následkem nedodržení mohou být úrazy.

**POZOR!**

Nedodržení pokynů může mít za následek hmotné škody a narušení funkce výrobku.

**POZNÁMKA**

Doplňující informace týkající se obsluhy výrobku.

## 2 Bezpečnostní pokyny

### 2.1 Obecná bezpečnost

**VÝSTRAHA!**

- V případě, že je přístroj viditelně poškozen, nesmíte jej používat.
- Pokud je přívodní kabel přístroje poškozen, musíte jej nechat vyměnit výrobcem, jeho servisním centrem nebo jinou kvalifikovanou osobou tak, aby nemohlo dojít k jakémukoliv ohrožení.
- Opravy tohoto přístroje smí provádět pouze odborníci. Nesprávně provedené opravy mohou způsobit značné škody.
- Tento přístroj mohou používat děti od 8 let a osoby se sníženými fyzickými, sensorickými nebo mentálními schopnostmi, nebo osoby s nedostatkem zkušeností a/nebo znalostí, pokud budou pod dozorem nebo pokud byly poučeny o bezpečném použití přístroje a porozuměly nebezpečím, která z použití výrobku vyplývají.
- Čištění a užitvatelem prováděnou údržbu nesmějí provádět děti bez dozoru.



- Nenechávejte děti, aby si s přístrojem hrály!
- Děti musejí být pod dohledem tak, aby si s výrobkem nehrály.
- Přístroj používejte a skladujte mimo dosah dětí mladších 8 let.
- Neskladujte v přístroji výbušné látky, jako např. spreje s hořlavým hnacím plynem.



### UPOZORNĚNÍ!

- Přístroj odpojte od sítě:
  - Před každým čištěním a údržbou
  - Po každém použití
- Skladujte potraviny pouze v originálním balení nebo ve vhodných nádobách.



### POZOR!

- Porovnejte údaj o napětí na typovém štítku se stávajícím zdrojem napájení.
- Ledničku připojte pouze následujícím způsobem:
  - Přívodním kabelem na stejnosměrný proud k palubní zásuvce stejnosměrného proudu (např. zapalovač cigaret) ve vozidle
  - Nebo přívodním kabelem na střídavý proud k síti střídavého proudu
- Nikdy nevytahujte zástrčku ze zásuvky tahem za přívodní kabel.
- Pokud je chladnička připojena k zásuvce stejnosměrného proudu: Odpojte chladničku a jiné spotřebiče od baterie dříve, než je připojíte k rychlonabíječce.
- Pokud je chladnička připojena k zásuvce stejnosměrného proudu: Po vypnutí motoru přerušete spojení nebo vypněte chladničku. V opačném případě může dojít k vybití baterie.
- Chladnička není vhodná k přepravě leptavých látek nebo látek obsahujících rozpouštědla.
- V izolaci této ledničky je hořlavý cyklopentan. Plyny v izolačním materiálu vyžadují speciální metodu likvidace. Po ukončení životnosti ledničku odevzdejte k řádné likvidaci.

## 2.2 Bezpečnost za provozu přístroje



### UPOZORNĚNÍ!

- Před uvedením do provozu zkontrolujte, zda jsou přívodní kabel a zástrčka suché.



### POZOR!

- Nepoužívejte uvnitř chladničky žádné elektrické přístroje, pouze pokud jsou k tomu takové přístroje doporučeny výrobcem.
- Neinstalujte přístroj v blízkosti otevřeného ohně nebo jiných tepelných zdrojů (topení, přímé sluneční záření, plynová kamna apod.).
- **Nebezpečí přehřátí!**  
Vždy dbejte, aby bylo teplo, vznikající za provozu zařízení, dostatečně odváděno. Zajistěte, aby byl přístroj postaven v dostatečné vzdálenosti od stěn nebo předmětů tak, aby mohl vzduch cirkulovat.
- Pamatujte, že nesmějí být zakryty větrací otvory.
- Do vnitřní nádoby nelijte žádné kapaliny ani do ní nedávejte led.
- Nikdy neponořujte přístroj do vody.
- Chraňte přístroje a kabely před horkem a vlhkem.

## 3 Obsah dodávky

| Množství | Název                             |
|----------|-----------------------------------|
| 1        | Kompresorový chladicí box         |
| 1        | Stejnoseměrný přívodní kabel      |
| 1        | Přívodní kabel pro střídavý proud |
| 1        | Návod k použití                   |

## 4 Použití v souladu s účelem

Kompresorový chladicí box je vhodný k chlazení a mražení potravin. Kompresorový chladicí box je určen i k provozu na lodích.

Kompresorový chladicí box je konstruován k provozu v zásuvce na stejnosměrný proud v automobilu, lodi nebo obytném automobilu, nebo zásuvce na střídavý proud.

**UPOZORNĚNÍ! Nebezpečí ohrožení zdraví!**

Zkontrolujte, zda chladicí výkon přístroje odpovídá požadavkům potravin nebo léčiv, které chcete skladovat.

## 5 Popis funkce

Chladicí box umožňuje chladit výrobky, udržovat je chladné a umožňuje také jejich hluboké chlazení.

Chlazení je provedeno pomocí bezúdržbového chladicího okruhu s kompresorem. Extra silná izolace a výkonný kompresor zaručují mimořádně rychlé chlazení.

Chladicí box je určen k mobilnímu použití.

V případě použití na lodích může být chladicí box vystaven trvalému náklonu 30°.

### 5.1 Funkce zařízení

- Třístupňový snímač baterie k ochraně baterie vozidla
- Displej s ukazatelem teploty, při nižším napětí baterie dojde k automatickému vypnutí
- Nastavení teploty: Pomocí dvou tlačítek v krocích po 1 °C (2 °F)

## 5.2 Ovládací a indikační prvky

Zámek víka: obr. **1**, strana 2

Ovládací panel (obr. **2**, strana 2)

| Poz. | Název      | Vysvětlení   |
|------|------------|--|
| 1    | ZAP<br>VYP | Zapnutí nebo vypnutí chladicího boxu, pokud tlačítko podržíte jednu až dvě vteřiny stisknuté   |
| 2    | POWER      | Provozní kontrolka<br>LED svítí zeleně: Kompresor je zapnutý<br>LED svítí oranžově: Kompresor je vypnutý<br>LED bliká oranžově: Byl automaticky vypnut displej, protože napětí baterie je příliš nízké |
| 3    | ERROR      | LED bliká červeně: Zapnutý přístroj není připraven k provozu   |
| 4    | SET        | Výběr režimu zadávání:<br>– nastavení teploty<br>– údaj ve °Celsia nebo ve °Fahrenheita<br>– nastavení snímače baterie   |
| 5    | –          | Displej, zobrazuje hodnoty   |
| 6    | „+“        | Jedním klepnutím zvýšíte zadávanou hodnotu   |
| 7    | „-“        | Jedním klepnutím snížíte zadávanou hodnotu   |

Přípojky (obr. **3**, strana 2):

| Poz. | Název  |
|------|--|
| 1    | Přívodní zdířka napájení střídavým napětím     |
| 2    | Držák pojistek                                 |
| 3    | Kryt zdířky na střídavý proud                  |
| 4    | Kryt zdířky na stejnosměrný proud              |
| 5    | Přívodní zdířka napájení stejnosměrným napětím |

## 6 Obsluha

### 6.1 Před prvním použitím



#### **POZNÁMKA**

Dříve, než uvedete nový chladicí box do provozu, musíte jej z hygienických důvodů očistit vlhkou utěrkou jak zevnitř, tak zvenčí (viz též kap. „Čištění a péče“ na straně 218).

#### **Výběr jednotek pro zobrazení teploty**

K zobrazování teploty můžete vybírat mezi °Celsia a °Fahrenheita. Postupujte takto:

- Zapněte chladicí box.
  - Stiskněte dvakrát tlačítko „SET“.
  - Nastavte pomocí tlačítek „+“ nebo „-“, jednotky °Celsia nebo °Fahrenheita.
- ✓ Displej zobrazuje na několik vteřin nastavené jednotky teploty. Displej několikrát zabliká dříve, než se vrátí k aktuální teplotě.

### 6.2 Tipy k úspoře energie

- K používání vyberte dobře větrané místo chráněné před slunečním zářením.
- Teplé pokrmy nechejte před uložením do chladničky vychladnout.
- Neotevírejte chladničku častěji, než je nezbytně nutné.
- Nenechávejte chladničku otevřenou déle, než je nezbytně nutné.
- Odmrazte chladničku, jakmile se vytvoří vrstva ledu.
- Zabraňte vzniku zbytečně nízkých vnitřních teplot.

### 6.3 Připojení chladicího boxu

Ledničku lze napájet stejnosměrným nebo střídavým proudem.

***POZOR! Nebezpečí poškození!***

Odpojte chladicí box a jiné spotřebiče od baterie dříve, než připojíte baterii k rychlonabíječce.

Přepětí může poškodit elektronické systémy přístrojů.

Z bezpečnostních důvodů je chladicí box vybaven elektronickou ochranou proti přepólování, která chrání chladicí box před přepólováním při připojování baterie a před zkratem.

- Zasuňte přívodní kabel na stejnosměrný proud do zdířky na stejnosměrný proud a připojte jej k zásuvce na stejnosměrný proud nebo...
- ... zasuňte přívodní kabel na střídavý proud do zdířky na střídavý proud a připojte jej k zásuvce na střídavý proud.
- Uzavřete kryty nepoužívaných zdířek, aby se vyloučil náhodný kontakt se zdířkami. To navíc zabraňuje pronikání prachu, vody a nečistot dovnitř zdířky.

### 6.4 Použití snímače stavu baterie

Lednička je vybavena několikastupňovým snímačem baterie, který chrání vaši baterii při připojování k síti stejnosměrného proudu před příliš hlubokým vypnutím.

Pokud chladicí box používáte ve vozidle s vypnutým zapalováním, dojde k samočinnému vypnutí boxu, jakmile napájecí napětí poklesne pod předem definovanou hodnotu. Chladicí box se opět zapne, jakmile je nabitím baterie dosaženo napětí k opětovnému zapnutí.

***POZOR! Nebezpečí poškození!***

Baterie již nemá po vypnutí snímačem baterie k dispozici plnou kapacitu nabití. Bez delšího nabíjení neopakujte vícekrát startování, nepoužívejte elektrické spotřebiče. Zajistěte nabití baterie.

V režimu „HIGH“ je snímač baterie aktivován rychleji než ve stupních „LOW“ a „MED“ (viz tabulka níže).

| Režim snímače baterie                | LOW    | MED    | HIGH   |
|--------------------------------------|--------|--------|--------|
| Napětí k vypnutí při 12 V            | 10,1 V | 11,4 V | 11,8 V |
| Napětí k opětovnému zapnutí při 12 V | 11,1 V | 12,2 V | 12,6 V |
| Napětí k vypnutí při 24 V            | 21,5 V | 24,1 V | 24,6 V |
| Napětí k opětovnému zapnutí při 24 V | 23,0 V | 25,3 V | 26,2 V |

K provedení změny režimu snímače baterie postupujte takto:

- ▶ Zapněte chladicí box.
- ▶ Stiskněte třikrát tlačítko „SET“.
- ▶ Nastavte pomocí tlačítek „+“ nebo „-“, režim snímače baterie.
- ✓ Displej zobrazuje na několik vteřin nastavený režim. Displej několikrát zabliká dříve, než se vrátí k aktuální teplotě.



#### **POZNÁMKA**

Pokud je chladicí box napájen ze startovací baterie, vyberte režim snímače baterie „HIGH“. Pokud je chladicí box připojen k napájecí baterii, stačí režim snímače „LOW“.

## 6.5 Používání chladicího boxu



#### **POZOR! Nebezpečí přehřátí!**

Vždy dbejte, aby bylo teplo, vznikající za provozu zařízení, dostatečně odváděno. Pamatujte, že nesmí být zakryty větrací otvory. Zajistěte, aby byl přístroj postaven v dostatečné vzdálenosti od stěn nebo předmětů tak, aby mohl vzduch cirkulovat.

- ▶ Postavte chladicí box na pevnou podložku. Dbejte na to, aby nebyly nikdy zakryty větrací otvory, které slouží k odvádění zahřátého vzduchu.



#### **POZNÁMKA**

Postavte chladicí box tak, jak je vidět na obrázku (obr. 4, strana 3). Pokud budete box používat v jiných pozicích, může dojít k poškození přístroje.

- Připojte chladicí box, viz kap. „Připojení chladicího boxu“ na strani 214.

**POZOR! Nebezpečí v případě příliš nízké teploty!**

Dbejte, aby byly v chladicím boxu skladovány pouze předměty nebo potraviny, které je dovoleno chladit za nastavené teploty.

- Stiskněte tlačítko „ON/OFF“ na jednu až dvě vteřiny.
- ✓ Rozsvítí se LED „POWER“.
- ✓ Zapne se displej a zobrazí aktuální teplotu chlazení.

**POZNÁMKA**

Zobrazená teplota se vztahuje na střed vnitřního prostoru. Teplota na jiných místech se může od této teploty lišit.

- ✓ Chladicí box zahájí chlazení vnitřního prostoru.

**POZNÁMKA**

Za provozu na baterii se displej automaticky vypne, pokud je napětí baterie příliš nízké. Kontrolka LED „POWER“ bliká oranžově.

## 6.6 Zajištění víka ledničky

- Zvedněte zámek (obr. **1** 1, strana 2) a uzavřete víko.
- Uvolněte zámek.
- ✓ Zámek slyšitelně zacvakne a zajistí ledničku.

## 6.7 Nastavení teploty

- Jednou stiskněte tlačítko „SET“.
- Nastavte pomocí tlačítek „+“ nebo „-“ teplotu chlazení.
- ✓ Na displeji se zobrazí na několik vteřin nastavená požadovaná teplota chlazení. Displej několikrát zabliká dříve, než se vrátí k aktuální teplotě.



## 6.8 Vypnutí chladicího boxu

- Vyprázdněte obsah chladicího boxu.
- Vypněte chladicí box.
- Odpojte přívodní kabel.

Pokud nebudete chladicí box déle používat:

- Nechejte víko pootevřené. Zabráňte tak vzniku zápachů.

## 6.9 Odmrazování chladicího boxu

Vzdušná vlhkost se může srážet na výparníku nebo uvnitř chladicího boxu formou jinovatky, která snižuje chladicí výkon. Přístroj včas odmrázte.



### ***POZOR! Nebezpečí poškození!***

Nepoužívejte k odstraňování ledu nebo k uvolňování přimrzlých předmětů tvrdé nebo špičaté nástroje.

Při rozmrazování postupujte takto:

- Vyměňte chlazený materiál.
- Uložte jej případně do jiné lednice, aby zůstal v chladnu.
- Vypněte přístroj.
- Nechejte víko otevřené.
- Vytřete vodní kondenzát.

## 6.10 Výměna pojistky

- Pojistku (8 A 32 V) vyměňte, jak je vyobrazeno (obr. **4**, strana 3).

## 7 Čištění a péče

**VÝSTRAHA!**

Před zahájením jakéhokoliv čištění nebo údržby odpojte výrobek od sítě.

**POZOR! Nebezpečí poškození!**

- Nikdy neumývejte chladničku pod tekoucí vodou nebo ve ve vodě s prostředkem na mytí nádobí.
- Nepoužívejte k čištění ostré čisticí prostředky nebo tvrdé předměty, může dojít k poškození chladničky.

- Příležitostně očistěte přístroj zevnitř a zvenčí vlhkým hadrem.
- Zajistěte, aby nebyly větrací a odzdušňovací otvory přístroje zaprášené a znečištěné. Tím může být teplo vznikající za provozu odváděno a nedojde k poškození přístroje.

## 8 Záruka

Na výrobek je poskytována záruka v souladu s platnými zákony. Zjistíte-li, že je výrobek vadný, zašlete jej do pobočky výrobce ve vaší zemi (adresy viz zadní strana tohoto návodu) nebo do specializovanému prodejci.

K vyřízení opravy nebo záruky nezapomeňte odeslat následující dokumenty:

- Kopii účtenky s datem zakoupení,
- Uvedení důvodu reklamace nebo popis vady.

## 9 Odstraňování poruch a závad

| Závada   | Možná příčina  | Návrh řešení  |
|--|--|---|
| Lednička nefunguje, nesvíí kontrolka LED „POWER“.  | Zásuvka se stejnosměrným napětím ve vašem vozidle není pod napětím.                          | Ve většině automobilů musíte nejprve spustit zapalování, aby byla zásuvka se stejnosměrným proudem pod napětím.                               |
| Přístroj nechladí (zástrčka je připojená, svítí LED „POWER“).  | Vadný kompresor.   | Opravu smí provést pouze schválená provozovna zákaznického centra.  |
| Přístroj nechladí (zástrčka je připojená, LED „POWER“ bliká oranžově, displej je vypnutý).   | Nedostatečné napětí baterie.   | Zkontrolujte baterii a případně ji nabijte.   |
| V režimu provozu s připojením k zásuvce se stejnosměrným napětím:<br>Zapalování je zapnuto, lednička nefunguje a LED „POWER“ nesvíí. | Objímka zásuvky stejnosměrného napětí je znečištěná. Následkem je špatný elektrický kontakt. | Pokud je zástrčka v zásuvce stejnosměrného napájení velmi horká, buď očistíte objímku nebo zkontrolujte, zda je zástrčka správně namontována. |
|  | Pojistka zástrčky stejnosměrného napájení je propálená.                                      | Vyměňte pojistku (8 A) zástrčky na stejnosměrný proud, viz kap. „Výměna pojistky“ na strani 217   |
|  | Pojistky automobilu jsou spálené.  | Vyměňte pojistku zásuvky stejnosměrného napájení (obvykle 15 A, viz návod k obsluze vašeho vozidla).  |
| Na displeji se zobrazuje chybové hlášení (např. „Err1“) a přístroj nechladí.   | Interní provozní porucha vypnula přístroj.   | Opravu smí provést pouze schválená provozovna zákaznického centra.  |

## 10 Likvidace

- Obalový materiál likvidujte v odpadu určeném k recyklaci.



Jakmile výrobek zcela vyřadíte z provozu, informujte se v příslušných recyklačních centrech nebo u specializovaného prodejce o příslušných předpisech o likvidaci odpadu.

# 11 Technické údaje

|                                 | FR34 AC/DC   | FR40 AC/DC                             |
|---------------------------------|--|--|
| Č. výrobku:                     | 9600000537   | 9105330192                             |
| Napájení:                       | 12/24 V===<br>100 – 240 V~ ?, 50/60 Hz   |  |
| Příkon:                         | 4 A (12 V===)<br>2 A (24 V===)<br>1,0 – 0,4 A (100 – 240 V~)                     |  |
| Chladicí výkon:                 | +10 °C až –10 °C<br>(+50 °F až +14 °F)   | +10 °C až –10 °C<br>(+50 °F až +14 °F) |
| Kategorie:                      | Kategorie 1<br>(chladnička s jednou nebo několika policemi na čerstvé potraviny) |  |
| Obsah brutto:                   | 32,5 l   | 40 l                                   |
| Užitečný obsah:                 | 31,0 l   | 38 l                                   |
| Energetická třída účinnosti:    | A++  | A++                                    |
| Spotřeba energie:               | 51 kWh/rok   |  |
| Klimatická třída:               | N  |  |
| Okolní teplota:                 | +16 °C až +32 °C   |  |
| Hlukové emise:                  | 49 dB(A)   |  |
| Množství chladicího prostředku: | 45 g   | 42 g                                   |
| Ekvivalent CO <sub>2</sub> :    | 0,064 t  | 0,060 t                                |
| Rozměry (D x Š x V):            | 584 x 365 x 407 mm   | 584 x 365 x 446 mm                     |
| Hmotnost:                       | 11,4 kg  | 11,5 kg                                |



### POZNÁMKA

Za okolních teplot vyšších než +32 °C (+90 °F) již nelze dosáhnout minimální teploty.

Kontrola/certifikáty:



Chladicí okruh obsahuje R134a.

Obsahuje fluorované skleníkové plyny

Hermeticky uzavřeným zařízením

**Pred uvedením zariadenia do prevádzky si prosím pozorne prečítajte tento návod a odložte si ho. V prípade odovzdania zariadenia ďalšiemu používateľovi mu odovzdajte aj tento návod.**

Výrobca neručí za škody, ktoré vzniknú používaním, ktoré **nie je v súlade s určeným použitím** alebo boli spôsobené **nesprávnou obsluhou**.

## Obsah

|           |  |     |
|-----------|--|-----|
| <b>1</b>  | <b>Vysvetlenie symbolov</b> .....                  | 223 |
| <b>2</b>  | <b>Bezpečnostné pokyny</b> .....                   | 223 |
| 2.1       | Všeobecná bezpečnosť' .....                        | 223 |
| 2.2       | Bezpečnosť pri prevádzke zariadenia .....          | 225 |
| <b>3</b>  | <b>Obsah dodávky</b> .....                         | 225 |
| <b>4</b>  | <b>Používanie v súlade s určením</b> .....         | 225 |
| <b>5</b>  | <b>Opis činnosti</b> .....                         | 226 |
| 5.1       | Rozsah funkcií .....                               | 226 |
| 5.2       | Ovládacie a indikačné prvky .....                  | 227 |
| <b>6</b>  | <b>Obsluha</b> .....                               | 228 |
| 6.1       | Pred prvým použitím .....                          | 228 |
| 6.2       | Tipy na úsporu energie .....                       | 228 |
| 6.3       | Pripojenie chladiaceho boxu .....                  | 229 |
| 6.4       | Používanie kontrolného snímača stavu batérie ..... | 229 |
| 6.5       | Používanie chladiaceho boxu .....                  | 230 |
| 6.6       | Uzamknutie chladiaceho boxu .....                  | 231 |
| 6.7       | Nastavenie teploty .....                           | 231 |
| 6.8       | Vypnutie chladiaceho boxu .....                    | 232 |
| 6.9       | Odmrazenie chladiaceho boxu .....                  | 232 |
| 6.10      | Výmena poistky .....                               | 232 |
| <b>7</b>  | <b>Čistenie a ošetrovanie</b> .....                | 233 |
| <b>8</b>  | <b>Záruka</b> .....                                | 233 |
| <b>9</b>  | <b>Odstránenie poruchy</b> .....                   | 234 |
| <b>10</b> | <b>Likvidácia</b> .....                            | 234 |
| <b>11</b> | <b>Technické údaje</b> .....                       | 235 |

# 1 Vysvetlenie symbolov

**VÝSTRAHA!**

**Bezpečnostný pokyn:** Nerešpektovanie môže viesť k smrti alebo k ťažkému zraneniu.

**UPOZORNENIE!**

**Bezpečnostný pokyn:** Nerešpektovanie môže viesť k zraneniam.

**POZOR!**

Nerešpektovanie môže viesť k materiálnym škodám a môže ovplyvniť funkciu zariadenia.

**POZNÁMKA**

Doplňujúce informácie k obsluhu výrobku.

## 2 Bezpečnostné pokyny

### 2.1 Všeobecná bezpečnosť

**VÝSTRAHA!**

- Ak zariadenie vykazuje očividné poškodenia, nesmiete ho uviesť do prevádzky.
- Ak sa poškodí pripojovací kábel tohoto zariadenia, musí ho vymeniť výrobca, služba zákazníkom alebo podobne kvalifikovaná osoba, aby sa zabránilo ohrozeniu.
- Opravy tohoto zariadenia smú robiť len odborníci. Neodbornými opravami môžu vzniknúť značné nebezpečenstvá.
- Prístroj smú používať deti od 8 rokov a osoby so zníženými psychickými, zmyslovými alebo mentálnymi schopnosťami a vedomosťami, keď sú pod dozorom alebo keď boli poučené o bezpečnom používaní prístroja a keď chápu, aké riziká z toho vyplývajú.
- Čistenie a bežnú údržbu nesmú deti vykonávať bez dozoru.
- Deti sa nesmú hrať s prístrojom.

- Deti musia byť pod dozorom, aby bolo zabezpečené, že sa so zariadením nebudú hrať.
- Prístroj odkladajte a používajte mimo dosahu detí mladších ako 8 rokov.
- V prístroji neuskladňujte látky, pri ktorých hrozí nebezpečenstvo výbuchu, napr. sprejové nádoby s hnacím plynom.

**UPOZORNENIE!**

- Odpojte zariadenie z el. siete
  - pred každým čistením a ošetrovaním
  - po každom použití
- Potravinu sa smú uskladniť len v originálnom balení alebo vo vhodných nádobách.

**POZOR!**

- Porovnajete údaj o napätí na typovom štítku s prívodom el. energie, ktorý máte k dispozícii.
- Chladiace zariadenie pripájajte iba nasledovne:
  - pripájacím káblom na jednosmerný prúd palubnej zásuvky jednosmerného prúdu (napr. autozapaľovač) vo vozidle
  - alebo pripájacím káblom na striedavý prúd k sieti striedavého napätia
- Nikdy nevytáhnite zástrčku zo zásuvky za pripojovací kábel.
- Keď je chladiace zariadenie pripojené na zásuvku jednosmerného prúdu: Odpojte vaše chladiace zariadenie a ostatné spotrebiče od batérie skôr než pripojíte rýchlonačítačku.
- Keď je chladiace zariadenie pripojené na zásuvku jednosmerného prúdu: Rozpojte spojenie alebo vypnite chladiace zariadenie, keď vypnete motor. V opačnom prípade sa môže vybiť batéria.
- Chladiace zariadenie nie je vhodné na prepravu dráždivých alebo rozpúšťadlá obsahujúcich látok.
- Toto chladiace zariadenie obsahuje v izolácii horľavý cyklopentan. Plyny v izolačných materiáloch vyžadujú špeciálnu metódu na likvidáciu. Chladiace zariadenie na konci životnosti odovzdajte k riadnej likvidácii.



## 2.2 Bezpečnosť pri prevádzke zariadenia



### UPOZORNENIE!

- Pred uvedením do prevádzky dbajte, aby boli prívod a zástrčka suché.



### POZOR!

- Nepoužívajte žiadne elektrické prístroje vo vnútri chladiaceho zariadenia, okrem prístrojov, ktoré sú na to doporučené výrobcom zariadenia.
- Nepostavte zariadenie v blízkosti otvoreného ohňa alebo iných zdrojov tepla (kúrenie, slnečné žiarenie, plynové kachle atď.).
- **Nebezpečenstvo prehriatia!**  
Vždy dbajte, aby teplo, ktoré pri prevádzke vzniká, bolo možné dostatočne odvádzať. Postarajte sa, aby zariadenie stálo v dostatočnej vzdialenosti od stien alebo predmetov, aby mohol vzduch cirkulovať.
- Dbajte, aby nedošlo k zakrytiu vetracích otvorov.
- Do vnútornej nádoby nedávajte žiadne kvapaliny alebo ľad.
- Nikdy neponorte zariadenie do vody.
- Chráňte zariadenie a káble pred horúčavou a vlhkom.

## 3 Obsah dodávky

| Množstvo | Označenie                           |
|----------|-------------------------------------|
| 1        | Chladiaci box s kompresorom         |
| 1        | Pripájací kábel na jednosmerný prúd |
| 1        | Pripájací kábel na striedavý prúd   |
| 1        | Návod na používanie                 |

## 4 Používanie v súlade s určením

Kompresorový chladiaci box je vhodný na chladenie a mrazenie potravín. Kompresorový chladiaci box je vhodný je na prevádzku v člnoch.

Kompresorový chladiaci box je dimenzovaný na pripojenie k zásuvke s jednosmerným prúdom vozidla, člna alebo obytného automobilu alebo k zásuvke so striedavým prúdom.

**UPOZORNENIE! Ohrozenie zdravia!**

Skontrolujte, či chladiaci výkon prístroja zodpovedá požiadavkám potravín alebo liekov, ktoré chcete chladiť.

## 5 Opis činnosti

Chladiaci box môže schladíť potraviny, udržiavať ich v chlade alebo ich hlboko zmraziť.

Chladienie sa uskutočňuje prostredníctvom bezúdržbového chladiaceho okruhu s kompresorom. Mimoriadne silná izolácia a výkonný kompresor zabezpečia zvlášť rýchle chladienie.

Chladiaci box je vhodný na mobilné použitie.

Pri používaní v člnoch môže byť chladiaci box vystavený trvalému nakloneniu 30°.

### 5.1 Rozsah funkcií

- Trojstupňový kontrolný snímač stavu batérie na ochranu batérie vozidla
- Displej s ukazovateľom teploty, pri nízkom napätí batérie automaticky vypnutý
- Nastavenie teploty: Dvomi tlačidlami v krokoch po 1 °C (2 °F)

## 5.2 Ovládacie a indikačné prvky

Zaistenie veka: obr. **1**, strane 2

Ovládací panel (obr. **2**, strane 2)

| Pol. | Označenie            | Vysvetlenie   |
|------|----------------------|---|
| 1    | ON<br>OFF            | Zapne a vypne chladiaci box, keď sa tlačidlo podrží stlačené jednu až dve sekundy   |
| 2    | POWER                | Prevádzková indikácia   |
|      | LED svieti zeleno:   | Kompresor je zapnutý  |
|      | LED svieti oranžovo: | Kompresor je vypnutý  |
|      | LED bliká oranžovo:  | Displej sa automaticky vypol, lebo napätie batérie je nízke   |
| 3    | ERROR                | LED bliká červeno: Zapnutý prístroj nie je pripravený na prevádzku  |
| 4    | SET                  | Zvolí režim zadávania<br>– Nastavenie teploty<br>– Údaje v °Celsius alebo °Fahrenheit<br>– Nastavenie kontrolného snímača stavu batérie |
| 5    | –                    | Displej, zobrazuje hodnoty  |
| 6    | „+“                  | Jedno stlačenie zvýši zvolenú hodnotu zadania   |
| 7    | „-“                  | Jedno stlačenie zníži zvolenú hodnotu zadania   |

Pripojenia (obr. **3**, strane 2):

| Pol. | Označenie                                       |
|------|---|
| 1    | Prípojná zásuvka                                |
| 2    | Spínač poistky                                  |
| 3    | Kryt zásuvky so striedavým prúdom               |
| 4    | Kryt zásuvky s jednosmerným prúdom              |
| 5    | Prípojná zásuvka napájania jednosmerným napätím |

## 6 Obsluha

### 6.1 Pred prvým použitím

**POZNÁMKA**

Pred uvedením nového chladiaceho boxu do prevádzky by ste ho z hygienických dôvodov mali vyčistiť zvonku a zvnútra vlhkou handričkou (pozri kap. „Čistenie a ošetrovanie“ na strane 233).

#### Výber jednotky teploty

Vyberte zobrazovanie teploty medzi °Celsius a °Fahrenheit Postupujte takto:

- Zapnite chladiaci box.
- Stlačte tlačidlo „SET“ dvakrát.
- Nastavte tlačidlami „+“, príp. „-“, jednotku teploty °Celsius alebo °Fahrenheit.
- ✓ Displej zobrazí na niekoľko sekúnd nastavenú jednotku teploty. Displej niekoľkokrát zabliká, kým sa vráti zobrazenie aktuálnej teploty.

### 6.2 Tipy na úsporu energie

- Zvoľte dobre odvetrané a pred slnečným žiarením chránené miesto osadenia.
- Teplé jedlá nechajte najprv ochladiť, pokým ich budete v zariadení udržiavať studené.
- Neotvárajte chladiace zariadenia častejšie než je to potrebné.
- Nenechávajte chladiace zariadenie otvorené dlhšie než je to potrebné.
- Odmrazte chladiaci box, akonáhle sa vytvorí vrstva námrazy.
- Zabráňte tak nepotrebné nízkej vnútornej teplote.

### 6.3 Pripojenie chladiaceho boxu

Chladiaci box je možné prevádzkovať na jednosmerný alebo striedavý prúd.



***POZOR! Nebezpečenstvo poškodenia!***

Pred nabíjaním batérie rýchlonabíjacím prístrojom odpojte chladiaci box a iné spotrebiče od batérie.

Nadmerné napätie môže poškodiť elektroniku prístrojov.

Kvôli bezpečnosti je chladiaci box vybavený elektronickou ochranou proti prepólovaniu, ktorá chráni chladiaci box pred prepólovaním pri pripojení batérie a pred skratom.

- ▶ Pripojte pripojovací kábel jednosmerného prúdu do elektrickej zásuvky so striedavým prúdom a pripojte ho k zásuvke so striedavým prúdom alebo ...
- ▶ ... pripojte pripojovací kábel striedavého prúdu do elektrickej zásuvky so striedavým prúdom a pripojte ho k zásuvke so striedavým prúdom.
- ▶ Zatvorte krytky nepoužívaných zásuviek, aby sa zabránilo neúmyselnému kontaktu so zásuvkami. Okrem toho tým zabránite vniknutiu prachu, vody a nečistôt do zásuvky.

### 6.4 Používanie kontrolného snímača stavu batérie

Chladiaci box je vybavený viacstupňovým indikátorom batérie, ktorý chráni batériu vášho vozidla pri pripojení k sieti s jednosmerným prúdom pred hlbokým vybitím.

Ak sa chladiaci box používa pri vypnutom zapaľovaní vozidla, box sa samočinne vypne, akonáhle napájacie napätie klesne pod nastavenú hodnotu. Chladiaci box sa znova zapne, akonáhle sa nabitím batérie dosiahne znovuzapínacie napätie.



***POZOR! Nebezpečenstvo poškodenia!***

Batéria pri vypnutí kontrolným snímačom stavu batérie už nemá svoju plnú kapacitu nabitia, vyvarujte sa viacnásobného spúšťania alebo prevádzky spotrebičov prúdu bez dlhších nabíjacích fáz. Postarajte sa, aby sa batéria opäť nabila.

V režime „HIGH“ reaguje kontrolný snímač stavu batérie rýchlejšie ako v stupňoch „LOW“ a „MED“ (pozri nasledovnú tabuľku).

| Režim s kontrolným snímaním stavu batérie | LOW    | MED    | HIGH   |
|---|--------|--------|--------|
| Vypínacie napätie 12 V                    | 10,1 V | 11,4 V | 11,8 V |
| Znovuzapínacie napätie 12 V               | 11,1 V | 12,2 V | 12,6 V |
| Vypínacie napätie 24 V                    | 21,5 V | 24,1 V | 24,6 V |
| Znovuzapínacie napätie 24 V               | 23,0 V | 25,3 V | 26,2 V |

Keď chcete zmeniť režim snímača stavu batérie, postupujte nasledovne:

- ▶ Zapnite chladiaci box.
- ▶ Stlačte tlačidlo „SET“ trikrát.
- ▶ Nastavte tlačidlami „+“, príp. „-“, režim pre snímač stavu batérie.
- ✓ Displej zobrazí na niekoľko sekúnd nastavený režim. Displej niekoľkokrát zabliká, kým sa vráti zobrazenie aktuálnej teploty.



#### **POZNÁMKA**

Keď sa chladiaci box napája štartovacou batériou, zvolte režim kontrolného snímania stavu batérie „HIGH“. Keď je chladiaci box pripojený k napájacej batérii, stačí režim kontrolného snímania stavu batérie „LOW“.

## 6.5 Používanie chladiaceho boxu



#### **POZOR! Nebezpečenstvo prehriatia!**

Dbajte na to, aby sa teplo, ktoré vzniká pri prevádzke, dostatočne mohlo odvádzať. Dbajte na to, aby vetracie otvory neboli zakryté. Zabezpečte, aby bol prístroj v dostatočnej vzdialenosti od stien alebo predmetov, aby bola umožnená cirkulácia vzduchu.

- ▶ Postavte chladiaci prístroj na pevný podklad. Dbajte na to, aby vetracie otvory neboli zakryté a aby sa teplo mohlo dobre odvádzať.



#### **POZNÁMKA**

Chladiaci box nainštalujte podľa vyobrazenia (obr. **4**, strane 3). Ak sa box prevádzkuje v inej polohe, môže sa poškodiť.

- Chladiaci box pripojte, pozri kap. „Pripojenie chladiaceho boxu“ na strane 229.

***POZOR! Nebezpečenstvo následkom príliš nízkej teploty!***

Dbajte na to, aby sa v chladiacom boxe nachádzali len predmety, príp. tovar, ktorý sa môže chladiť na zvolenú teplotu.

- Stlačte tlačidlo „ON/OFF“ na jednu až tri sekundy.
- ✓ LED „POWER“ svieti.
- ✓ Displej sa zapne a zobrazí aktuálnu teplotu chladenia.

***POZNÁMKA***

Zobrazená teplota sa vzťahuje na stred interiéru. Teplota na iných miestach môže byť odlišná.

- ✓ Chladiaci box sa spustí s chladením vnútorného priestoru.

***POZNÁMKA***

Pri prevádzke na batériu sa displej automaticky vypne, keď je napätie batérie nízke. LED „POWER“ bliká oranžovo.

## 6.6 Uzamknutie chladiaceho boxu

- Zdvihnite západku (obr. **1** 1, strane 2) a zatvorte veko.
- Západku pustite.
- ✓ Západka počuteľne zapadne a uzamkne chladiaci box.

## 6.7 Nastavenie teploty

- Stlačte tlačidlo „SET“ jedenkrát.
- Nastavte tlačidlami „+“, príp. „-“, teplotu chladenia.
- ✓ Displej zobrazí na niekoľko sekúnd požadovanú teplotu chladenia. Displej niekoľkokrát zabliká, kým sa vráti zobrazenie aktuálnej teploty.

## 6.8 Vypnutie chladiaceho boxu

- Vyprázdňte chladiaci box.
- Vypnite chladiaci box.
- Vytiahnite prípojný kábel.

Ak chladiaci box dlhší čas nebudete používať:

- Nechajte veko pootvorené. Zabráňte tak tvorbe zápachu.

## 6.9 Odmrazenie chladiaceho boxu

Vlhký vzduch sa môže zrážať na odparovači alebo vnútri chladiaceho boxu ako srieň, čím sa znižuje chladiaci výkon. Prístroj včas odmrázte.



### ***POZOR! Nebezpečenstvo poškodenia!***

Na odstránenie vrstvy námrazy alebo uvoľnenie primrazených predmetov nepoužívajte tvrdé alebo špicaté nástroje.

Pri odmrázaní chladiaceho boxu postupujte nasledovne:

- Chladené potraviny vyberte.
- V prípade potreby ich uskladnite v inom chladiacom prístroji, aby zostali schladené.
- Prístroj vypnite.
- Nechajte veko otvorené.
- Rozmrazenú vodu poutierajte.

## 6.10 Výmena poistky

- Vymeňte poistku (8 A 32 V) podľa obrázka (obr. **4**, strane 3).



## 7 Čistenie a ošetrovanie

**VÝSTRAHA!**

Pred každým čistením a ošetrovaním odpojte zariadenie od siete.

**POZOR! Nebezpečenstvo poškodenia!**

- Nikdy nečistite chladiace zariadenie pod tečúcou vodou alebo dokonca v preplachovacej vode.
- Nepoužívajte na čistenie žiadne ostré alebo tvrdé predmety, lebo tieto by mohli chladiace zariadenie poškodiť.

- ▶ Príležitostne vyčistite zariadenie zvnútra aj zvonku s vlhkou utierkou.
- ▶ Zabezpečte, aby vetracie a odvzdušňovacie otvory prístroja boli bez prachu a nečistôt, aby sa teplo vznikajúce pri prevádzke mohlo odvádzať a aby sa prístroj nepoškodil.

## 8 Záruka

Platí zákonom stanovená záručná lehota. Ak by bol výrobok chybný, obráťte sa na pobočku vo vašej krajine (adresy pozri na zadnej strane návodu) alebo na vášho špecializovaného predajcu.

Ak žiadate o vybavenie opravy alebo nárokov vyplývajúcich zo záruky, musíte priložiť nasledovné podklady:

- kópiu faktúry s dátumom kúpy,
- dôvod reklamácie alebo opis chyby.

## 9 Odstránenie poruchy

| Porucha  | Možná príčina  | Návrh riešenia  |
|--|--|---|
| Chladiaci box nefunguje, LED „POWER“ nesvieti.   | Na konektore s jednosmerným prúdom vo vozidle nie je žiadne napätie.                             | Vo väčšine vozidiel sa musí zapnúť zapaľovanie, aby mala zásuvka s jednosmerným prúdom napätie.   |
| Prístroj nechladí (konektor je zasunutý, LED „POWER“ svieti).  | Kompresor je chybný.   | Opravy smie vykonávať len autorizovaný servis.  |
| Prístroj nechladí (konektor je zasunutý, LED „POWER“ bliká oranžovo, displej je vypnutý).                            | Napätie batérie nie je dostatočné.   | Skontrolujte batériu a v prípade potreby ju nabite.   |
| Pri prevádzke v zásuvke na jednosmerný prúd. Zapaľovanie je zapnuté, chladiaci box nefunguje a LED „POWER“ nesvieti. | Objímka konektora s jednosmerným prúdom je znečistená. To má za následok zlý elektrický kontakt. | Keď sa konektor chladiaceho boxu v zásuvke s jednosmerným prúdom veľmi zohreje, musí sa buď vyčistiť objímka zásuvky s jednosmerným prúdom alebo konektor pravdepodobne nie je správne zostavený. |
|  | Poistka zásuvky s jednosmerným prúdom je prepálená.  | Vymeňte poistku (8 A) konektora jednosmerného prúdu, pozri kap. „Výmena poistky“ na strane 232  |
|  | Poistka vozidla je prepálená.  | Vymeňte poistku zásuvky s jednosmerným prúdom vo vozidle (bežne 15 A) (dodržiavajte návod na použitie vášho vozidla).   |
| Na displeji sa zobrazí hlásenie chyby (napr. „Err1“) a prístroj nechladí.  | Interná prevádzková porucha vypla prístroj.  | Opravy smie vykonávať len autorizovaný servis.  |

## 10 Likvidácia

- Obalový materiál podľa možnosti odovzdajte do príslušného odpadu na recykláciu.



Keď výrobok definitívne vyradíte z prevádzky, informujte sa v najbližšom recyklačnom stredisku alebo u vášho špecializovaného predajcu o príslušných predpisoch týkajúcich sa likvidácie.

# 11 Technické údaje

|                                   | FR34 AC/DC  | FR40 AC/DC                             |
|-----------------------------------|---|--|
| Č. výrobku:                       | 9600000537  | 9105330192                             |
| Pripájacie napätie:               | 12/24 V===<br>100 – 240 V~, 50 / 60 Hz  |  |
| Príkon:                           | 4 A (12 V===)<br>2 A (24 V===)<br>1,0 – 0,4 A (100 – 240 V~)  |  |
| Chladiaci výkon:                  | +10 °C až –10 °C<br>(+50 °F až +14 °F)  | +10 °C až –10 °C<br>(+50 °F až +14 °F) |
| Kategória:                        | Kategória 1<br>(chladnička s jedným úložným priečinkom alebo viacerými úložnými priečinkami na čerstvé potraviny) |  |
| Hrubý objem:                      | 32,5 l  | 40 l                                   |
| Užitočný obsah:                   | 31,0 l  | 38 l                                   |
| Trieda energetickej účinnosti:    | A++   | A++                                    |
| Energetická spotreba:             | 51 kWh/rok  |  |
| Klimatická trieda:                | N   |  |
| Teplota okolia:                   | +16 °C až +32 °C  |  |
| Emisie hluku:                     | 49 dB(A)  |  |
| Množstvo chladiaceho prostriedku: | 45 g  | 42 g                                   |
| Ekvivalent CO <sub>2</sub> :      | 0,064 t   | 0,060 t                                |
| Rozmery (D x Š x V):              | 584 x 365 x 407 mm  | 584 x 365 x 446 mm                     |
| Hmotnosť:                         | 11,4 kg   | 11,5 kg                                |



### POZNÁMKA

Od teploty okolia +32 °C (+90 °F) sa už nedá dosiahnuť minimálna teplota.

Skúšky/certifikáty:



Chladiaci obvod obsahuje R134a.

Obsahuje fluórované skleníkové plyny

Hermeticky uzavreté zariadenie

**A készülék első használata előtt gondosan olvassa el és őrizze meg ezt a használati utasítást. Ha a készüléket továbbadja, mellékelje hozzá a használati utasítást is.**

A gyártó nem felelős olyan károkért vagy sérülésekért, amelyeket **nem rendeltetésszerű használat** vagy **hibás kezelés** okozott.

## Tartalomjegyzék

|           |  |     |
|-----------|--|-----|
| <b>1</b>  | <b>Szimbólumok magyarázata</b> . . . . .         | 238 |
| <b>2</b>  | <b>Biztonsági tudnivalók</b> . . . . .           | 238 |
| 2.1       | Általános biztonság . . . . .                    | 238 |
| 2.2       | Biztonság a készülék üzemeltetése során. . . . . | 240 |
| <b>3</b>  | <b>Szállítási terjedelem</b> . . . . .           | 240 |
| <b>4</b>  | <b>Rendeltetésszerű használat</b> . . . . .      | 240 |
| <b>5</b>  | <b>Működési leírás</b> . . . . .                 | 241 |
| 5.1       | Jellemzők. . . . .                               | 241 |
| 5.2       | Kezelő- és kijelzőelemek . . . . .               | 241 |
| <b>6</b>  | <b>Kezelés</b> . . . . .                         | 243 |
| 6.1       | Első használatba vétel előtt. . . . .            | 243 |
| 6.2       | Energiatakarékossági javaslatok . . . . .        | 243 |
| 6.3       | A hűtőláda csatlakoztatása . . . . .             | 244 |
| 6.4       | Az akkumulátorőr használata . . . . .            | 244 |
| 6.5       | A hűtőláda használata . . . . .                  | 245 |
| 6.6       | Hűtőkészülék fedele reteszelve van . . . . .     | 246 |
| 6.7       | A hőmérséklet beállítása . . . . .               | 246 |
| 6.8       | A hűtőláda kikapcsolása . . . . .                | 247 |
| 6.9       | A hűtőláda leolvasztása . . . . .                | 247 |
| 6.10      | A biztosíték cseréje . . . . .                   | 247 |
| <b>7</b>  | <b>Tisztítás és karbantartás</b> . . . . .       | 248 |
| <b>8</b>  | <b>Szavatosság</b> . . . . .                     | 248 |
| <b>9</b>  | <b>Üzemzavar-elhárítás</b> . . . . .             | 249 |
| <b>10</b> | <b>Ártalmatlanítás</b> . . . . .                 | 249 |
| <b>11</b> | <b>Műszaki adatok</b> . . . . .                  | 250 |

# 1 Szimbólumok magyarázata

**FIGYELMEZTETÉS!**

**Biztonsági tudnivaló:** Az utasítás figyelmen kívül hagyása halált vagy súlyos sérülést okozhat.

**VIGYÁZAT!**

**Biztonsági tudnivaló:** Az utasítás figyelmen kívül hagyása sérüléseket okozhat.

**FIGYELEM!**

Ha nem veszi figyelembe az információt, az anyagkárosodást eredményezhet, és káros kihatással lehet a termék működésére.

**MEGJEGYZÉS**

Kiegészítő információk a termék kezelésével kapcsolatban.

## 2 Biztonsági tudnivalók

### 2.1 Általános biztonság

**FIGYELMEZTETÉS!**

- Ha a készüléken sérülések láthatók, akkor azt nem szabad üzembe helyezni.
- Ha a készülék csatlakozókábele megsérül, akkor azt – a veszélyeztetések elkerülése érdekében – a gyártóval, a vevőszolgálattal vagy egy hasonlóan képzett szakemberrel kell kicseréltetni.
- Javításokat csak szakemberek végezhetnek a készüléken. Nem szakszerű javítások jelentős veszélyeket okozhatnak.
- Jelen készüléket 8 év feletti gyermekek, valamint korlátozott fizikai, érzékszervi és szellemi képességű, illetve megfelelő tapasztalattal és/vagy tudással nem rendelkező személyek csak felügyelet mellett, illetve a készülék biztonságos használatát és az abból eredő veszélyeket megértve használhatják.
- A tisztítást és a felhasználói karbantartást gyermekek felügyelet nélkül nem végezhetik.

- A készülékkel gyerekek nem játszhatnak.
- A gyermekekre figyelni kell, hogy a készülékkel ne játsszanak.
- A készüléket 8 év alatti gyermekek által nem hozzáférhető módon tárolja és használja.
- Ne tároljon a készülékben robbanékony anyagokat (például éghető hajtógázt tartalmazó permetpalackokat).



### VIGYÁZAT!

- Az alábbi esetekben mindig húzza ki a készülék csatlakozódugóját a hálózati aljzathól:
  - minden tisztítás és karbantartás előtt
  - minden használat után.
- Élelmiszert csak eredeti csomagolásban vagy megfelelő tárolókban szabad tárolni.



### FIGYELEM!

- Hasonlítsa össze a típustáblán feltüntetett a feszültségadatokat a rendelkezésre álló energiaellátással.
- A hűtőkészüléket a következő módon csatlakoztassa:
  - Az egyenáramú csatlakozókábelrel a jármű egyenáramú fedélzeti aljzatához (pl. szivargyújtóhoz)
  - vagy a váltakozó áramú csatlakozókábelrel a váltakozó áramú hálózathoz.
- Soha ne húzza ki a csatlakozódugót a csatlakozókábelnél fogva az aljzathoz.
- Ha a hűtőkészülék az egyenáramú aljzathoz van csatlakoztatva: Kösse le a hűtőkészüléket és más fogyasztókat az akkumulátorról, mielőtt gyorstöltő berendezést csatlakoztatna rá.
- Ha a hűtőkészülék az egyenáramú aljzathoz van csatlakoztatva: Húzza ki a csatlakozódugót vagy kapcsolja ki a hűtőkészüléket, ha a jármű motorját kikapcsolja. Ellenkező esetben az akkumulátor lemerülhet.
- A hűtőkészülék nem alkalmas maró hatású vagy oldószert tartalmazó anyagok szállítására.
- A hűtőegység szigetelése gyúlékony ciklopentánt tartalmaz. A szigetelőanyagban található gázok miatt különleges ártalmatlanítási eljárásra van szükség. A hűtőegységet az élettartama végén a szabályozásoknak megfelelően ártalmatlanítsa.

## 2.2 Biztonság a készülék üzemeltetése során



### VIGYÁZAT!

- Üzembe helyezés előtt ügyeljen arra, hogy a vezeték és a dugasz száraz legyen.



### FIGYELEM!

- Ne használjon elektromos készülékeket a hűtőkészüléken belül, kivéve ha ezeket a készülékeket a gyártó erre a célra javasolja.
- Ne helyezze a készüléket nyílt láng vagy más hőforrás közelébe (fűtés, erős napsugárzás, gázkályha stb.).
- **Túlforrósodás veszélye!**  
Mindig ügyeljen arra, hogy az üzemeltetés során keletkező hő kielégítően eltávozhasson. A levegő keringetése érdekében gondoskodjon arról, hogy a készülék kielégítő távolságban álljon a faltól vagy tárgyaktól.
- Ügyeljen arra, hogy a szellőzőnyílások ne legyenek lefedve.
- Ne töltsön folyadékot vagy jeget a belső tartályba.
- Soha ne merítse vízbe a készüléket.
- Védje a készüléket és a kábeleket a hőtől és a nedvességtől.

## 3 Szállítási terjedelem

| Mennyiség | Megnevezés                 |
|-----------|----------------------------|
| 1         | Kompresszor hűtőláda       |
| 1         | Egyenáramú csatlakozókábel |
| 1         | Váltóáramú csatlakozókábel |
| 1         | Kezelési útmutató          |

## 4 Rendeltetésszerű használat

A kompresszoros hűtőláda élelmiszerek hűtésére és fagyasztására alkalmas. A kompresszoros hűtőláda hajókon való üzemeltetésre is alkalmas.



A kompresszoros hűtőláda autó, hajó vagy lakókocsi egyenáramú dugaszolóaljzatról, valamint váltakozó áramú dugaszolóaljzatról való üzemeltetésre alkalmas.



### **VIGYÁZAT! Egészségkárosodás veszélye!**

Ellenőrizze, hogy a készülék hűtőteljesítménye megfelel-e a hűteni kívánt élelmiszerek vagy gyógyszerek követelményeinek.

## **5 Működési leírás**

A hűtőláda áruk lehűtésére, hidegen tartására, illetve mélyhűtésére alkalmas.

A hűtést karbantartást nem igénylő, kompresszorral ellátott hűtőkör teszi lehetővé. A különösen hatékony szigetelés és az erőteljes kompresszor különösen gyors hűtést biztosít.

A hűtőláda mobil használatra is alkalmas.

Hajókon történő használat esetén a hűtőláda tartósan 30°-os dőlésnek is kitéhető.

### **5.1 Jellemzők**

- Háromfokozatú akkumulátorról a jármű akkumulátorának védelmére
- Kijelző hőmérséklet-megjelenítéssel, alacsony akkumulátorfeszültség esetén automatikusan kikapcsol
- Hőmérséklet-beállítás: Két gombbal 1 °C-os ( 2 °F-es) lépésekben

### **5.2 Kezelő- és kijelzőelemek**

A fedél reteszelése: **1.** ábra 1, 2. oldal

Kezelőpanel (**2.** ábra, 2. oldal)

| Szám | Megnevezés          | Magyarázat  |
|------|---------------------|---|
| 1    | ON (Be)<br>OFF (Ki) | A gombot egy-két másodpercig megnyomva a készülék ki- vagy bekapcsolására szolgál |

| Szám | Megnevezés            | Magyarázat   |
|------|-----------------------|--|
| 2    | POWER<br>(Tápellátás) | Az üzemelés kijelzése  |
|      |                       | A LED zölden világít: A kompresszor be van kapcsolva   |
|      |                       | A LED narancssárgán világít: A kompresszor ki van kapcsolva  |
|      |                       | A LED narancssárgán villog: A kijelző alacsony akkumulátorfeszültség miatt automatikusan kikapcsolt                      |
| 3    | ERROR (Hiba)          | A LED pirosan villog: A bekapcsolt készülék nem üzemkészen   |
| 4    | SET (Beállítás)       | Meghatározza a beviteli módot<br>– Hőmérséklet-beállítás<br>– °C vagy °F fok megjelenítése<br>– Akkumulátorór beállítása |
| 5    | –                     | Kijelző az értékek megjelenítéséhez  |
| 6    | „+”                   | Egyszeri megnyomása növeli a kiválasztott beviteli értéket   |
| 7    | „-”                   | Egyszeri megnyomása csökkenti a kiválasztott beviteli értéket  |

### Csatlakozások (3. ábra, 2. oldal):

| Szám | Megnevezés   |
|------|--|
| 1    | Csatlakozóaljzat váltakozó feszültségű tápellátáshoz |
| 2    | Biztosítókapsoló                                     |
| 3    | A váltakozó áramú dugasz fedele                      |
| 4    | Az egyenáramú dugasz fedele                          |
| 5    | Csatlakozóaljzat egyenfeszültségű tápellátáshoz      |

## 6 Kezelés

### 6.1 Első használatba vétel előtt



#### **MEGJEGYZÉS**

Mielőtt az új hűtőládát üzembe helyezné, higiéniai okokból tisztítsa meg belül és kívül nedves ruhával (lásd „Tisztítás és karbantartás” fej., 248. oldal).

#### **A hőmérsékletegység kiválasztása**

A hőmérséklet értékeinek megjelenítése Celsius-fokban vagy Fahrenheit-fokban választható meg. Ehhez a következő módon járjon el:

- Kapcsolja be a hűtőládát.
- Nyomja meg a „SET” gombot kétszer.
- Állítsa be a hőmérséklet egységét a „+”, illetve a „-” gombbal Celsius- vagy Fahrenheit-fokra.
- ✓ A kijelző néhány másodpercig mutatja a beállított hőmérsékletegységet. A kijelző néhányszor villog, mielőtt az aktuális hőmérséklet kijelzéséhez visszatér.

### 6.2 Energiatakarékossági javaslatok

- A készülék működtetéséhez válasszon jól szellőző és napfénytől védett helyet.
- Hagyja lehűlni a meleg ételeket, mielőtt azokat hidegen tartaná a készülékben.
- Ne nyissa ki a hűtőkészüléket a szükségesnél gyakrabban.
- Ne hagyja nyitva a hűtőkészüléket a szükségesnél hosszabban.
- Ha a hűtőládban jég réteg alakult ki, olvassza le.
- Kerülje a fölöslegesen alacsony belső hőmérsékletet.

### 6.3 A hűtőláda csatlakoztatása

A hűtőkészülék egyenáramról, vagy váltakozó áramról is üzemeltethető.



#### **FIGYELEM! Sérülésveszély!**

Kösse le a hűtőládát és más fogyasztókat az akkumulátorról, mielőtt az akkumulátort gyorstöltő készülékkel töltené fel! A készülékek elektronikáját a túlfeszültség károsíthatja.

A biztonság érdekében a hűtődoboz elektronikus polaritásvédelemmel rendelkezik, amely a hűtődobozt az akkumulátorhoz való csatlakoztatásnál póluscserre és rövidzárlat ellen védi.

- ▶ Illessze be az egyenáramú csatlakozókábelt az egyenáramú aljzatba és csatlakoztassa egy egyenáramú dugaszolóaljzathoz, vagy ...
- ▶ ... Illessze be a váltakozó áramú csatlakozókábelt a váltakozó áramú aljzatba és csatlakoztassa egy váltakozó áramú dugaszolóaljzathoz.
- ▶ A nem használt aljzatok fedeleit zárja le, így elkerülhető az aljzatok véletlenszerű megérintése. Ezzel a módszerrel ezen kívül megakadályozza, hogy por, víz és szennyeződés jusson be az aljzatba.

### 6.4 Az akkumulátorőr használata

A hűtőkészülék fel van szerelve egy többfokozatú akkumulátorfigyelővel, mely az egyenáramú hálózatra való csatlakoztatáskor megvédi a jármű-akkumulátort a túl mély lemerüléstől.

Ha a hűtőládát kikapcsolt gyújtás mellett a járműben használja, akkor a hűtőláda automatikusan kikapcsol, amint a tápfeszültség egy beállítható érték alá csökken. A hűtőláda ismét bekapcsol, amint az akkumulátor a feltöltés során eléri az újrabekapcsolási feszültséget.



#### **FIGYELEM! Sérülésveszély!**

Az akkumulátor az akkuőr általi lekapcsolás esetén már nem rendelkezik teljes töltéskapacitásával; ilyen esetben kerülje a többszöri indítást vagy áramfogyasztók hosszabb töltési fázisok nélkül történő üzemeltetését. Gondoskodjon az akkumulátor újratöltéséről.

„HIGH” üzemmódban az akkumulátorőr hamarabb jelez, mint „LOW” és „MED” üzemmód esetén (lásd a következő táblázatot).

| Akkuőr-üzemmód                        | LOW    | MED    | HIGH   |
|---------------------------------------|--------|--------|--------|
| Kikapcsolási feszültség 12 V esetén   | 10,1 V | 11,4 V | 11,8 V |
| Újrakapcsolási feszültség 12 V esetén | 11,1 V | 12,2 V | 12,6 V |
| Kikapcsolási feszültség 24 V esetén   | 21,5 V | 24,1 V | 24,6 V |
| Újrakapcsolási feszültség 24 V esetén | 23,0 V | 25,3 V | 26,2 V |

Az akkumulátorőr üzemmódjának kiválasztásához tegye a következőt:

- ▶ Kapcsolja be a hűtőládát.
- ▶ Nyomja meg a „SET” gombot háromszor.
- ▶ Válassza ki a „+” illetve „-” gomb segítségével az akkumulátorőr megfelelő üzemmódját.
- ✓ A kijelző néhány másodpercig a kiválasztott üzemmódot mutatja. A kijelző néhányszor villog, mielőtt az aktuális hőmérséklet kijelzéséhez visszatér.



### MEGJEGYZÉS

Ha a hűtőládát indítóakkumulátorról használja, akkor válassza a „HIGH” akkuőr-üzemmódot. Ha a hűtőládát valamelyik indítóakkumulátorról használja, akkor elegendő a „LOW” akkuőr-üzemmód.

## 6.5 A hűtőláda használata



### FIGYELEM! Túlmelegedés miatti veszély!

Mindig ügyeljen arra, hogy az üzemeltetés során keletkező hő kielégítően eltávozhasson. Ügyeljen arra, hogy a szellőzőnyílások ne legyenek lefedve. A levegő keringtetése érdekében gondoskodjon arról, hogy a készülék kielégítő távolságban álljon a faltól vagy tárgyaktól.

- ▶ A hűtőládát szilárd aljzatra állítsa. Ügyeljen arra, hogy a szellőzőnyílások ne legyenek lefedve és a meleg levegő megfelelően távozhasson.

**MEGJEGYZÉS**

A hűtőládát az ábrázolt módon állítsa fel (4. ábra, 3. oldal). Ha a hűtőládát másik helyzetben üzemelteti, akkor a készülék károsodhat.

- ▶ Csatlakoztassa a hűtőládát, lásd „A hűtőláda csatlakoztatása” fejr., 244. oldal.

**FIGYELEM! Túl alacsony hőmérséklet miatti veszély!**

Ügyeljen arra, hogy csak olyan tárgyak ill. áruk legyenek a hűtőládjában, amelyek lehűthetők a kiválasztott hőmérsékletre.

- ▶ Tartsa nyomva az „ON/OFF” gombot egy-két másodpercig.
- ✓ A „POWER” LED világít.
- ✓ A kijelző bekapcsol és mutatja az aktuális hűtési hőmérsékletet.

**MEGJEGYZÉS**

A megjelenő hőmérsékletérték a beltér közepére vonatkozik. Más helyek hőmérséklete ettől az értéktől eltérhet.

- ✓ A hűtőláda a belső tér hűtésével kezdi a működést.

**MEGJEGYZÉS**

akkumulátorról történő használat esetén a kijelző automatikusan kikapcsol, ha az akkumulátorfeszültség alacsony. A „POWER” LED narancssárgán villog.

## 6.6 Hűtőkészülék fedele reteszelve van

- ▶ Emelje fel a reteszelést (1. ábra 1, 2. oldal) és zárja le a fedelet.
- ▶ Engedje el a reteszelést.
- ✓ A reteszelés hallhatóan a helyére pattan és reteszeli a hűtőkészüléket.

## 6.7 A hőmérséklet beállítása

- ▶ Nyomja meg a „SET” gombot egyszer.
- ▶ Állítsa be a „+”, illetve a „-” gomb segítségével a hűtési hőmérsékletet.

- ✓ A kijelző néhány másodpercig a beállított kívánt hőmérsékletet mutatja. A kijelző néhányszor villog, mielőtt az aktuális hőmérséklet kijelzéséhez visszatér.

## 6.8 A hűtőláda kikapcsolása

- ▶ Ürítse ki a hűtőládát.
- ▶ Kapcsolja ki a hűtőládát.
- ▶ Húzza ki a csatlakozókábelt.

Ha a hűtőládát hosszabb ideig nem fogja használni:

- ▶ Hagyja a fedelet kissé nyitva. Így megakadályozhatja szagok képződését.

## 6.9 A hűtőláda leolvasztása

A levegő nedvességtartalma a párologtatónál vagy a hűtőláda belső terében deret képezve csökkenti a hűtőtéljesítményt. Olvassza le időben a készüléket.



### **FIGYELEM! Sérülésveszély!**

A jégretegek eltávolítására vagy odafagyott tárgyak leválasztására soha ne használjon kemény vagy hegyes szerszámokat.

A hűtőláda leolvasztásához járjon el a következő módon:

- ▶ Vegye ki a hűtött árukat.
- ▶ Tárolja azokat adott esetben egy másik hűtőkészülékben, hogy hidegen maradjanak.
- ▶ Kapcsolja ki a készüléket.
- ▶ Hagyja nyitva a fedelet.
- ▶ Törölje fel az olvadékvizet.

## 6.10 A biztosíték cseréje

- ▶ A biztosítékot (8 A 32 V) az ábrán látható módon cserélje ki (4. ábra, 3. oldal).

## 7 Tisztítás és karbantartás



### **FIGYELMEZTETÉS!**

A készüléket minden tisztítás és karbantartás előtt válassza le a hálózatról.



### **FIGYELEM! Sérülés veszélye!**

- Soha ne tisztítsa a hűtőkészüléket folyó víz alatt vagy mosogatóvízben.
- Ne használjon a tisztításhoz éles tisztítóeszközöket vagy kemény tárgyakat, mert azok a hűtőkészüléket megsérthetik.

- ▶ Alkalmanként tisztítsa meg a készüléket kívül-belül nedves ruhával.
- ▶ Biztosítsa, hogy a készülék szellőztető és légtelenítő nyílásai por- és szennyeződésmentesek legyenek, mert így az üzem közben létrejövő hő távozhat és a készülék nem károsodik.

## 8 Szavatosság

A termékre a törvény szerinti szavatossági időszak érvényes. A termék meghibásodása esetén forduljon a gyártói lerakathoz (a címeket lásd jelen útmutató hátoldalán), illetve az illetékes szakkereskedőhöz.

A javításhoz, illetve a szavatossági adminisztrációhoz a következő dokumentumokat kell mellékelnie:

- a számla vásárlási dátummal rendelkező másolatát,
- a reklamáció okát vagy a hibát tartalmazó leírást.



## 9 Üzemzavar-elhárítás

| Hiba  | Lehetséges ok  | Megoldási javaslat   |
|---|--|--|
| A hűtőkészülék nem működik, a „POWER” LED nem világít.  | A jármű egyenáramú csatlakozóaljzatában nincs feszültség.  | A legtöbb járműben be kell kapcsolni a gyújtást ahhoz, hogy feszültség legyen az egyenáramú csatlakozóaljzatban.   |
| A készülék nem hűt (a dugócsatlakozó be van dugva, a „POWER” LED világít).  | A kompresszor meghibásodott.   | A javítást csak engedéllyel rendelkező vevőszolgálat végezheti el.   |
| A készülék nem hűt (a dugócsatlakozó be van dugva, a „POWER” LED narancssárgán villog, a kijelző ki van kapcsolva).                         | Az akkumulátorfeszültség túl alacsony.   | Ellenőrizze és szükség esetén töltsen fel az akkumulátort.   |
| Egyenáramú csatlakozóaljzatról való üzemeltetéskor:<br>A gyújtás be van kapcsolva, a hűtőkészülék nem működik és a „POWER” LED nem világít. | Elszennyeződött az egyenáramú csatlakozóaljzat foglalatja. Emiatt rossz az elektromos érintkezés.<br><br>Kiegészített az egyenáramú dugasz biztosítékja.<br><br>Kiegészített a jármű biztosítékja. | Ha a hűtőkészülék dugasa nagyon felmelegszik az egyenáramú csatlakozóaljzat foglalatában, akkor vagy a foglalatot kell megtisztítani, vagy esetleg a dugasz van hibásan összeszerelve.<br><br>Cserélje ki az egyenáramú dugasz biztosítékát (8 A), lásd: „A biztosíték cseréje” fejelet, 247. oldal<br><br>Cserélje ki a jármű egyenáramú csatlakozóaljzatának biztosítékát (általában 15 A) (ennek során vegye figyelembe járműve üzemeltetési útmutatásait). |
| A kijelzőn hibaüzenet (pl. „Err1”) jelent meg és a készülék nem hűt.  | Belső üzemzavar miatt a készülék kikapcsolt.   | A javítást csak engedéllyel rendelkező vevőszolgálat végezheti el.   |

## 10 Ártalmatlanítás

- A csomagolóanyagot lehetőleg a megfelelő újrahasznosítható hulladék közé tegye.



Ha a terméket véglegesen kivonja a forgalomból, kérjük, tájékozódjon a legközelebbi hulladékártalmatlanító központnál vagy a szakkereskedőjénél az idevonatkozó ártalmatlanítási előírásokkal kapcsolatosan.

# 11 Műszaki adatok

|                              | FR34 AC/DC   | FR40 AC/DC                               |
|------------------------------|--|--|
| Cikkszám:                    | 9600000537   | 9105330192                               |
| Csatlakozási feszültség:     | 12/24 V===<br>100 – 240 V~, 50/60 Hz   |  |
| Teljesítményfelvétel:        | 4 A (12 V===)<br>2 A (24 V===)<br>1,0 – 0,4 A (100 – 240 V~)                                       |  |
| Hűtési teljesítmény:         | +10 °C ... –10 °C<br>(+50 °F ... +14 °F)   | +10 °C ... –10 °C<br>(+50 °F ... +14 °F) |
| Kategória:                   | 1. kategória<br>(friss élelmiszerek számára egy vagy több tárolórekeszrel rendelkező hűtőszekrény) |  |
| Bruttó űrtartalom:           | 32,5 l   | 40 l                                     |
| Hasznos térfogat:            | 31,0 l   | 38 l                                     |
| Energiahatékonysági osztály: | A++  | A++                                      |
| Energiafogyasztás:           | 51 kWh/év  |  |
| Klímaosztály:                | N  |  |
| Környezeti hőmérséklet:      | +16 °C ... +32 °C  |  |
| Zajkibocsátás:               | 49 dB(A)   |  |
| Hűtőközeg mennyisége:        | 45 g   | 42 g                                     |
| CO <sub>2</sub> -egyenérték: | 0,064 t  | 0,060 t                                  |
| Méret (h x sz x m):          | 584 x 365 x 407 mm   | 584 x 365 x 446 mm                       |
| Súly:                        | 11,4 kg  | 11,5 kg                                  |



### MEGJEGYZÉS

+32 °C (+90 °F) fölötti környezeti hőmérséklet esetén a minimális hőmérséklet már nem érhető el.

Vizsgálat / tanúsítványok:



A hűtőkörben alkalmazott közeg: R134a.

Fluorozott üvegházgázokat tartalmaz

Hermetikusan zárt berendezés

