

P.I.T.

PCUT40-C



PLASMA CUTTING MACHINE

АППАРАТ ПЛАЗМЕННОЙ РЕЗКИ

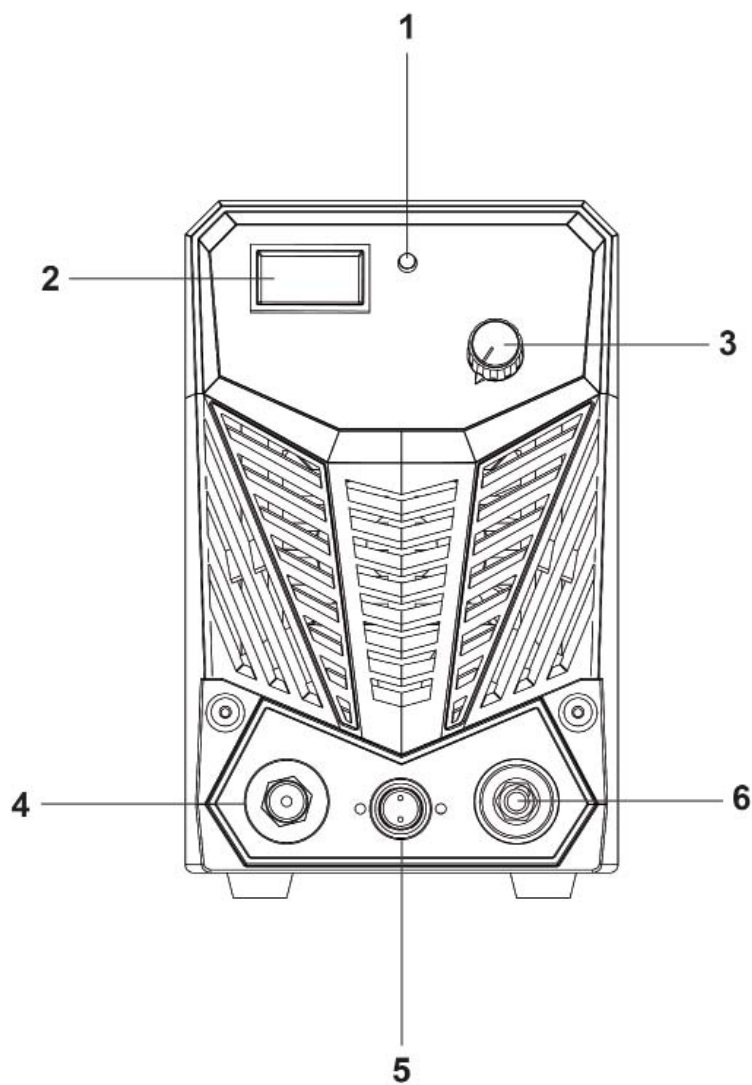
6200W

**Powerful
Efficient**

Please read the instruction manual carefully before use!

Пожалуйста, внимательно прочтите инструкцию перед использованием!





English**Safety Notes****General Power Tool Safety Warnings**

WARNING Read all safety warnings and all instructions.

Failure to follow the warnings and instructions may result in electric shock, fire and/or serious injury.

Save all warnings and instructions for future reference.

The term "power tool" in the warnings refers to your mains operated (corded) power tool or battery-operated (cordless) power tool.

Work area safety

- ▶ **Keep work area clean and well-lit.** Cluttered or dark areas invite accidents.
- ▶ **Do not operate power tools in explosive atmospheres, such as in the presence of flammable liquids, gases or dust.** Power tools create sparks that may ignite dust or fumes.
- ▶ **Keep children and bystanders away while operating a power tool.** Distractions can cause you to lose control.

Electrical safety

- ▶ **Power tool plugs must match the outlet. Never modify the plug in any way. Do not use any adapter plugs with earthed (grounded) power tools.** Unmodified plugs and matching outlets will reduce the risk of electric shock.
- ▶ **Avoid body contact with earthed or grounded surfaces, such as pipes, radiators, ranges and refrigerators.** There is an increased risk of electric shock if your body is earthed or grounded.
- ▶ **Do not expose power tools to rain or wet conditions.** Water entering a power tool will increase the risk of electric shock.
- ▶ **Do not abuse the cord. Never use the cord for carrying, pulling or unplugging the power tool. Keep cord away from heat, oil, sharp edges and moving parts.** Damaged or entangled cords increase the risk of electric shock.
- ▶ **When operating a power tool outdoors, use an extension cord suitable for outdoor use.** The use of a cord suitable for outdoor use reduces the risk of electric shock.
- ▶ **If operating a power tool in a damp location is unavoidable, use a residual current device (RCD) protected supply.** Use of an RCD reduces the risk of electric

shock.

Personal safety

- ▶ **Stay alert, watch what you are doing and use common sense when operating a power tool. Do not use a power tool while you are tired or under the influence of drugs, alcohol or medication.** A moment of inattention while operating power tools may result in serious personal injury.
 - ▶ **Use personal protective equipment. Always wear eye protection.** Protective equipment such as a dust mask, non-skid safety shoes, hard hat or hearing protection used for appropriate conditions will reduce personal injuries.
 - ▶ **Prevent unintentional starting. Ensure the switch is in the off-position before connecting to the power source and/or battery pack, picking up or carrying the tool.** Carrying power tools with your finger on the switch or energising power tools that have the switch on invites accidents.
 - ▶ **Remove any adjusting key or wrench before turning the power tool on.** A wrench or a key left attached to a rotating part of the power tool may result in personal injury.
 - ▶ **Do not overreach. Keep proper footing and balance at all times.** This enables better control of the power tool in unexpected situations.
 - ▶ **Dress properly. Do not wear loose clothing or jewellery. Keep your hair, clothing and gloves away from moving parts.** Loose clothes, jewellery or long hair can be caught in moving parts.
 - ▶ **If devices are provided for the connection of dust extraction and collection facilities, ensure these are connected and properly used.** The Use of dust collection can reduce dust-related hazards.
 - ▶ **Do not let familiarity gained from frequent use of tools allow you to become complacent and ignore tool safety principles.** A careless action can cause severe injury within a fraction of a second.
- Power tool use and care**
- ▶ **Do not force the power tool. Use the correct power tool for your application.** The correct power tool will do the job better and safer at the rate for which it was designed.
 - ▶ **Do not use the power tool if the switch does not turn on and off.** Any power tool

that cannot be controlled with the switch is dangerous and must be repaired.

- ▶ **Disconnect the plug from the power source and/or the battery pack from the power tool before making any adjustments, changing accessories, or storing power tools.** Such preventive safety measures reduce the risk of starting the power tool accidentally.
- ▶ **Store idle power tools out of the reach of children and do not allow persons unfamiliar with the power tool or these instructions to operate the power tool.** Power tools are dangerous in the hands of untrained users.
- ▶ **Maintain power tools. Check for misalignment or binding of moving parts, breakage of parts and any other condition that may affect the power tool's operation. If damaged, have the power tool repaired before use.** Many accidents are caused by poorly maintained power tools.
- ▶ **Keep cutting tools sharp and clean.** Properly maintained cutting tools with sharp cutting edges are less likely to bind and are easier to control.
- ▶ **Use the power tool, accessories and tool bits, etc. in accordance with these instructions, taking into account the working conditions and the work to be performed.** Use of the power tool for operations different from those intended could result in a hazardous situation.
- ▶ **Keep handles and grasping surfaces dry, clean and free from oil and grease.** Slippery handles and grasping surfaces do not allow for safe handling and control of the tool in unexpected situations.

Plasma Cutting Machine Safety

Electromagnetic Compatibility Instruction

Before installing and operating the welding equipment, the user must evaluate the possible electromagnetic effects on the surrounding area in the immediate vicinity.

Pay attention to:

- ▶ Other network cables, cables and control wires, telephone and security cables in the vicinity of the welding equipment and / or in the immediate vicinity of the welding work.
- ▶ Radio and television receivers and transmitters. Computers and other office equipment.
- ▶ Equipment responsible for the safety of production facilities.

- ▶ Devices related to the health of the surrounding people (eg pacemakers, hearing aids).
- ▶ Electronic instrumentation.

Burn protection

- ▶ Sparks, slag, hot metal and arc radiation can cause serious damage to eyes and skin, and the closer a person is to the welding arc, the more serious injury can be.
- ▶ Therefore, both the welder and other people in the welding area must have appropriate protective equipment.
- ▶ We strongly recommend the use of head-gear, welder's gloves/gaiters, a flame retardant suit/jacket and pants, boots/boots that must cover all areas of the body.

Electric shock protection

- ▶ Any electric shock can be fatal, so always avoid touching exposed conductive parts.
- ▶ Use insulating mats and gloves; clothes should always be dry.
- ▶ Avoid cutting in places with excessive moisture.
- ▶ Ground the equipment in accordance with electrical and safety regulations.
- ▶ When replacing the cable, or when removing the cover from the device, be sure to disconnect the device from the mains.

Respiratory protection

- ▶ The smoke and gas generated during plasma cutting are hazardous to health.
- ▶ The cutting area must be well ventilated.
- ▶ Metals containing or coated with lead, cadmium, zinc, mercury and beryllium can release toxic gases in hazardous concentrations when exposed to a plasma arc.
- ▶ If it is necessary to cut such materials, it is necessary to have exhaust ventilation or personal respiratory protection to ensure filtration or supply of clean air.
- ▶ If the coating of such metals cannot be removed from the welding site and there are no protective equipment, it is strictly forbidden to cut.

Radiation protection

- ▶ The ultraviolet radiation from the plasma arc can cause irreparable harm to the eyes and skin; therefore be sure to use a welding helmet / visor and protective clothing.
- ▶ The mask must be fully functional, otherwise it must be replaced, as the radiation from the plasma arc can harm the eyes.
- ▶ It is dangerous to look at the arc with unprotected eyes at a distance of less than

15 meters. Measures must be taken to protect people in or near the work area.

Fire explosion safety

- ▶ Make sure that fire extinguishing media (fire extinguisher, water, sand, etc.) are available in the near welding area.
- ▶ All flammable, explosive materials must be removed at a minimum distance of 10 meters from the worksite.
- ▶ Never cut open containers containing toxic or potentially explosive substances (for example, a gas tank of a car) - in such cases, thorough preliminary cleaning of the container must be carried out.
- ▶ Never carry out cutting work in an atmosphere with a high concentration of dust, flammable gas or vapors of flammable liquids.
- ▶ After each operation, make sure that the product has cooled down sufficiently before touching it with your hands or with flammable/explosive materials.

Electronic life support devices

- ▶ People using life-supporting electronic devices (eg, pacemakers) are strongly advised to consult with their physician before carrying out or in the immediate vicinity of plasma cutting.
- ▶ The correct functioning of the equipment is only guaranteed when connected correctly.
- ▶ Make sure the line voltage is within the supply voltage range marked on the equipment.
- ▶ Always use protective earth.

Product Description and Specifications

Read all safety warnings and all instructions. Failure to follow the warnings and instructions may result in electric shock, fire and/or serious injury.

Intended Use

PCUT40-C can be widely applied to cut carbon steel, stainless steel, aluminum alloy, copper and other non-ferrous metals. It is a highly efficient portable inverter air plasma cutting machine that provides stable operation with low power consumption.

Installation of air plasma cutting consists of two parts: a plasma torch (cutter) and a power source. The plasmatron is the main part and working tool of the system, it creates a high-temperature plasma jet, obtained by compressing the arc with passing air. The

source provides a stabilized cutting current and voltage supplied to the plasma torch.

Air supplied from the compressor is used as the plasma-forming gas. The inverter of the installation converts the operating frequency of the 50/60 Hz network into a frequency of up to 100 kHz with high efficiency, after conversion it produces a constant cutting current of high power. Compared to traditional plasma cutting power supplies, inverter technology significantly reduces the weight and size of the main transformer, while increasing efficiency compared to conventional installations.

Product Features

The numbering of the components shown refers to the representation of the power tool on the graphic pages.

1. Overload indicator light
2. Display ammeter
3. Current regulator
4. Plasma torch connector
5. Connector for connecting the plasma torch control button.
6. Connector for connecting a clamp to ground

Technical Data

Model	PCUT40-C
Rated voltage	190-250 V~/50 Hz
Rated power	6200 W
Max. Cutting Thickness	10 mm(3/8")
Weight	8.8 kg

Contents of delivery

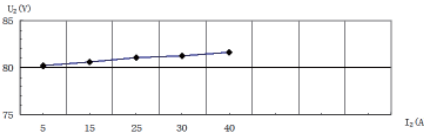
Plasma cutting machine	1 pc
Plasmatron	1 pc
Ground clamp with cable	1 pc
Gas hose	2 pcs
Air preparation unit	1 pc
Instruction manual	1 pc

Note

Since the product is constantly being improved, P.I.T. reserves the right to make changes to the specifications and product specifications specified here without prior notice.

Current-voltage and current characteristics of the welding power source

The curve means the external static "V-A" characteristic of the welding power, the curve gradient, called slope, normal means "voltage drop per 100 A". The curve shows the output voltage that we can get at any given output



Equipment connection

- ▶ Connect the nut of the plasma torch main cable to the connection socket on the front panel of the device. Check and, if necessary, replace the working consumable parts of the plasmatron: cathode, nozzle, diffuser, protective cap. When installing the cathode and guard, do not use tools - a little finger force is sufficient. Attention! Disassemble the plasma torch only with the device turned off. Make sure that the parts of the torch are cool!
- ▶ Connect the control cable from the plasma torch button to the front panel connector.
- ▶ Connect the hose from the compressor/compressed air system to the inlet of the supplied gas reducer-dryer (air preparation unit). Set the pressure on the pressure gauge of the reducer-dryer to 0.5 MPa.
- ▶ Connect the grounding cable insert to the connector on the front panel of the device, and fasten the earth clamp to the part. Make sure there is good electrical contact between the clamp and the part.
- ▶ Ground the part and the body of the device. If possible, check with a voltmeter whether the supply voltage is correct. Make sure there are no cuts or breaks in all cables and sleeves. Connect the mains plug to the mains socket.

Beginning of work

- ▶ Turn on the power with the power switch on the back of the machine to the "On" position.
- ▶ Set the cutting current according to the thickness of the part to be cut.
- ▶ To check, briefly press the button on the plasma torch - the valve should open.
- ▶ Touch the part with the nozzle, press the button on the plasma torch, after the arc has ignited, start cutting.

Special features when working with compressed air

The used compressed air from the compressor must have a pressure of at least 6 atmospheres (bar) (0.6 MPa) with a minimum flow rate of 200 l / min.

If the air is supplied from a compressor or

central system, the regulator must be set to the maximum outlet pressure, which, however, must not exceed 8 atmospheres (bar) (0.8 MPa).

If the air is supplied from a compressed air cylinder, the compressed air cylinder must be equipped with a pressure regulator.

A common problem with many budget compressors is that small-bore fittings and adapters are installed at the compressor outlet, which, at high air flow rates, leads to a pressure drop.

This can be avoided by connecting the hose, not to the outlet of the compressor, but directly to the receiver (for many models, this requires removing the plug on the side and inserting a fitting instead; however, it is not recommended to use the plug at the bottom to remove condensate for this).

The compressed air cylinder must never be directly connected to the inlet of the plasma system, only through a reducer-dryer!

Cutting tips

- ▶ While cutting, move the torch perpendicular to the surface to be cut.
- ▶ If it is necessary to burn through a hole ("breakdown"), tilt the torch slightly to reduce the risk of backsplatter and their adhesion to the torch nozzle. In case of frequent breakdowns of holes, promptly clean the nozzle from adhering metal. It should be remembered that ignition of the arc "for breakdown" reduces the service life of the nozzle, cathode and protective cap.
- ▶ If you place a bath with water under the product, you can almost completely remove the harmful effects of smoke and metal splashes.
- ▶ If the arc does not strike well, check that the grounding clamp has a good contact (check for paint, oil, dirt, rust at the connection point).
- ▶ If the arc "breaks" during cutting, the arc burns unstably - check the air pressure on the reducer-dryer, as a rule, the most stable result is given by an operating pressure of 0.5 MPa. However, depending on the productivity, cutting thickness, you can increase the pressure, while monitoring the stability of the work. The best cutting result and minimum wear on the nozzle and cathode will be at maximum pressure, but if the arc begins to break, reduce the pressure on the reducer until the breaks stop.

PRECAUTIONARY MEASURES! Any con-

nection and disconnection of the connectors and contacts of the plasma torch, grounding cable, mains cable during cutting is prohibited, this can cause harm to both human health and equipment.

Operating conditions

- ▶ Operation of this unit should be carried out in relatively dry air, humidity not more than 80%.
- ▶ The ambient temperature should be between -10 and 40 ° C.
- ▶ Avoid working in the rain, do not expose to water or raindrops.
- ▶ Avoid working in dusty or airy environments with corrosive gases. Do not allow conductive dust from the plasma jet to enter the interior of the apparatus.
- ▶ Operating beyond the specified conditions or prolonged operation at maximum currents can damage the unit, therefore pay attention to the following:
 - Make sure the fans are not blocked or covered. The distance between the devices and the surrounding objects (wall, partition, etc.) must be at least 0.3 m.
 - If the working time at the set current exceeds the calculated one, the machine can go into protection mode and stop working. This triggers the overheating indicator on the front panel. Under these circumstances, it is not necessary to disconnect the unit from the mains in order for the fan to continue to operate. When the temperature drops to working temperature, the indicator will turn off and you can continue working.
 - Avoid high input voltage and power surges!

Maintenance and Service

Maintenance and Cleaning

ATTENTION: All maintenance and inspection work must be carried out with the power supply disconnected. Make sure the network cable is unplugged before you open the case.

- ▶ **Use dry, clean compressed air to periodically remove dust from the machine.** If the machine is operated in a highly polluted environment, clean it twice a month.
- ▶ **Be careful when blowing out - strong air pressure can damage small parts of the machine.**
- ▶ **Check the condition of the terminals and contacts inside the device: if there is rust or loose contacts, use sandpaper to remove rust or oxides, and re-fix them.**

- ▶ **Do not allow water or steam to enter the interior of the machine.** If this happens, dry and then measure the resistance between the case and the current-carrying elements. Do not continue work until you are sure that there are no atypical phenomena.
- ▶ **If the device is not used for a long time, place it in a box, store it in a dry place.**

Service

- ▶ Have your power tool repaired only by qualified personnel and only with original spare parts. This ensures the safety of the power tool.

The list of authorized service centers can be viewed on the official website of P.I.T. by the link: <https://pittools.ru/services/>

Storage and transportation

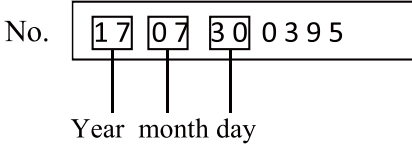
When transporting and storing equipment, it is necessary to exclude the possibility of direct exposure to atmospheric precipitation, corrosive environments, shock and strong shaking.

- ▶ The equipment should only be transported in an upright position.
- ▶ Protect the device from water and snow.
- ▶ Pay attention to the markings on the packaging.
- ▶ Containers for storage and transportation must be dry, with free air circulation. No corrosive gas or dust is allowed in the storage area. The range of permissible temperatures is from 0 ° C to + 55 ° C, with a relative humidity of no more than 85%.
- ▶ After the package has been opened, it is recommended to repack the equipment for further storage and transportation. (Before storage, it is recommended to clean and seal the equipment in the original packaging).
- ▶ The device should be stored in a dry room, at temperatures from 0 to + 50% and relative humidity up to 80%.
- ▶ When storing the equipment, it must be disconnected from the mains.
- ▶ The retail space in which the welding machine is sold must meet the above storage conditions.

Dispose of waste



Damaged power tools, batteries, accessories and waste packaging materials must be recycled and reused in an environmentally friendly manner. Do not throw power tools and accumulators / batteries into general household waste!

Product serial number interpretation serial number

The first and second digits of the product serial number from left to right

Year of production, the third and fourth digits indicate the month of production.

The fifth and sixth digits indicate the production day.

TERMS OF WARRANTY SERVICE

1. This Warranty Certificate is the only document that confirms your right to free warranty service. Without presenting this certificate, no claims are accepted. In case of loss or damage, the warranty certificate is not restored.

2. The warranty period for the electric machine is 12 months from the date of sale, during the warranty period the service department eliminates manufacturing defects and replaces parts that have failed due to the fault of the manufacturer free of charge. In the warranty repair, an equivalent operable product is not provided. Replaceable parts become property of service providers.

P.I.T is not liable for any damage that may be caused by operation of the electric machine.

3. Only clean tool accompanied with the following duly executed documents: this Warranty Certificate, Warranty Card, with all fields filled out, bearing the stamp of the trade organization and the signature of the buyer, shall be accepted for warranty repair.

4. Warranty repair is not performed in the following cases:

- in the absence of a Warranty Certificate and a Warranty Card or their incorrect execution;
- with failure of both a rotor and a stator of the electric engine, charring or melting of primary winding of the welding machine transformer, charging or starting-charging device, with internal parts melting, burn down of electronic circuit boards;
- if a Warranty Certificate or a Warranty Card does not correspond to this electric machine or to the form established by the supplier;
- upon expiration of the warranty period;
- at attempts of opening or repair of the electric machine outside the warranty workshop; making constructive changes and lubrication of the tool during the warranty period, as ev-

idenced, for example, by the creases on the spline parts of the fasteners of non-rotational parts.

- when using electric tools for production or other purposes connected with making a profit, as well as in case of malfunctions related to instability of the power network parameters exceeding the norms established by GOST;

- in the events of improper operation (use the electric machine for other than intended purposes, attachments to the electric machine of attachments, accessories, etc. not provided by the manufacturer);

- with mechanical damage to the case, power cord and in case of damages caused by aggressive agents and high and low temperatures, ingress of foreign objects in the ventilation grids of the electric machine, as well as in case of damage resulting from improper storage (corrosion of metal parts);

- natural wear and tear on the parts of the electric machine, as a result of long-term operation (determined on the basis of the signs of full or partial depletion of the specified mean life, great contamination, presence of rust outside and inside the electric machine, waste lubricant in the gearbox);

- use of the tool the purposes for other than specified in the operating instructions.

- mechanical damages to the tool;

- in the event of damages due to non-observance of the operating conditions specified in the instruction (see chapter "Safety Precautions" of the Manual).

- damage to the product due to non-observance of the rules of storage and transportation.

- in case of strong internal contamination of the tool.

Preventive maintenance of electric machines (cleaning, washing, lubrication, replacement of anthers, piston and sealing rings) during the warranty period is a paid service.

The service life of the product is 3 years. Shelf life is 2 years. It is not recommended for operation after 2 years of storage from the date of manufacture, which is indicated in the serial number on the label of the instrument, without preliminary verification (for the definition of the date of manufacture, see the User's Manual earlier).

The owner is notified of any possible violations of the above terms of warranty service upon completion of diagnostics in the service center.

The owner of the tool entrusts the diagnostic procedure to be conducted in the service center in his absence.

Do not operate the electric machine when there are signs of excessive heat, sparking, or noise in the gearbox. To determine the cause of the malfunction, the buyer should contact the warranty service center.

Malfunctions caused by late replacement of carbon brushes of the engine are eliminated at the expense of the buyer.

5. The warranty does not cover:

- replacement accessories (accessories and components), for example, batteries, discs, blades, drill bits, borers, chucks, chains, sprockets, collet clamps, guide rails, tension and fastening elements, trimming device heads, the base of grinding and belt sander machines, hexagonal heads, etc.,
- fast wearing parts, for example, carbon brushes, drive belts, seals, protective covers, guiding rollers, guides, rubber seals, bearings, toothed belts and wheels, shanks, brake belts, starter ratchets and ropes, piston rings, etc. Their replacement during the warranty period is a paid service;
- power cords, in case of damage to the insulation, power cords are subject to mandatory replacement without the consent of the owner (paid service);
- tool case.

Русский

Общие указания по технике безопасности для электроинструментов



ПРЕДУПРЕЖДЕНИЕ Прочтите все указания и инструкции по технике безопасности.

Несоблюдение указаний и инструкций по технике безопасности может стать причиной поражения электрическим током, пожара и тяжелых травм.

Сохраняйте эти инструкции и указания для будущего использования.

Использованное в настоящих инструкциях и указаниях понятие «электроинструмент» распространяется на электроинструмент с питанием от сети (с сетевым шнуром) и на аккумуляторный электроинструмент (без сетевого шнура).

Безопасность рабочего места

- ▶ Содержите рабочее место в чистоте и хорошо освещенным. Беспорядок или неосвещенные участки рабочего места могут привести к несчастным случаям.
- ▶ Не используйте электроинструменты во взрывоопасных средах, например, в присутствии легковоспламеняющихся жидкостей, газов или пыли. Электроинструменты создают искры, которые могут стать причиной воспламенения пыли или паров.
- ▶ Во время работы электроинструмента не допускайте присутствия детей и других лиц. Отвлечение внимания может привести к потере контроля.

Электробезопасность

- ▶ Штепсельная вилка электроинструмента должна подходить к штепсельной розетке. Ни в коем случае не вносите изменения в штепсельную вилку. Не применяйте переходные штекеры для электроинструментов с защитным заземлением. Неизмененные штепсельные вилки и подходящие штепсельные розетки снижают риск поражения электротоком.
- ▶ Предотвращайте телесный контакт с заземленными поверхностями, как то: с трубами, элементами отопления, кухонными плитами и холодильниками. При заземлении Вашего тела повышается риск поражения электротоком.
- ▶ Защищайте электроинструмент от дождя и сырости. Проникновение воды в электроинструмент повышает риск поражения электротоком.

- ▶ Не разрешается использовать шнур не по назначению. Никогда не используйте шнур для транспортировки или подвески электроинструмента, или для извлечения вилки из штепсельной розетки. Защищайте шнур от воздействия высоких температур, масла, острых кромок или подвижных частей электроинструмента. Поврежденный или спутанный шнур повышает риск поражения электротоком.
- ▶ При работе с электроинструментом под открытым небом применяйте пригодные для этого кабелиудлинители. Применение пригодного для работы под открытым небом кабеля-удлинителя снижает риск поражения электротоком.
- ▶ Если невозможно избежать применения электроинструмента в сыром помещении, подключайте электроинструмент через устройство защитного отключения. Применение устройства защитного отключения снижает риск электрического поражения.

Безопасность людей

- ▶ Будьте внимательными, следите за тем, что делаете, и продуманно начинайте работу с электроинструментом. Не пользуйтесь электроинструментом в усталом состоянии или под воздействием наркотиков, алкоголя или лекарственных средств. Один момент невнимательности при работе с электроинструментом может привести к серьезным травмам.
- ▶ Применяйте средства индивидуальной защиты. Всегда носите защитные очки. Использование средств индивидуальной защиты, как то: защитной маски, обуви на нескользящей подошве, защитного шлема или средств защиты органов слуха, в зависимости от вида работы с электроинструментом снижает риск получения травм.
- ▶ Предотвращайте непреднамеренное включение электроинструмента. Перед тем как подключить электроинструмент к сети и/или к аккумулятору, поднять или переносить электроинструмент, убедитесь, что он выключен. Удержание пальца на выключателе при транспортировке электроинструмента и подключение к сети питания включенного электроинструмента чревато несчастными случаями.

- ▶ **Убирайте установочный инструмент или гаечные ключи до включения электроинструмента.** Инструмент или ключ, находящийся во вращающейся части электроинструмента, может привести к травмам.
 - ▶ **Не принимайте неестественное положение корпуса тела. Всегда занимайте устойчивое положение и сохраняйте равновесие.** Благодаря этому Вы можете лучше контролировать электроинструмент в неожиданных ситуациях.
 - ▶ **Носите подходящую рабочую одежду. Не носите широкую одежду и украшения. Держите волосы и одежду вдали от подвижных деталей.** Широкая одежда, украшения или длинные волосы могут быть затянuty вращающимися частями.
 - ▶ **При наличии возможности установки пылеотсасывающих и пылесборных устройств проверяйте их присоединение и правильное использование.** Применение пылеотсоса может снизить опасность, создаваемую пылью.
 - ▶ **Хорошее знание электроинструментов, полученное в результате частого их использования, не должно приводить к самоуверенности и игнорированию техники безопасности обращения с электроинструментами.** Одно небрежное действие за долю секунды может привести к серьезным травмам.
 - ▶ **ВНИМАНИЕ!** В случае возникновения перебоя в работе электроинструмента вследствие полного или частичного прекращения энергоснабжения или повреждения цепи управления энергоснабжением установите выключатель в положение Выкл., убедившись, что он не заблокирован (при его наличии). Отключите сетевую вилку от розетки или отсоедините съёмный аккумулятор. Этим предотвращается неконтролируемый повторный запуск.
 - ▶ **Квалифицированный персонал в соответствии с настоящим руководством подразумевает лиц, которые знакомы с регулировкой, монтажом, вводом в эксплуатацию обслуживанием электроинструмента.**
 - ▶ **К работе с электроинструментом допускаются лица не моложе 18 лет, изучившие техническое описание, инструкцию по эксплуатации и правила безопасности.**
 - ▶ **Изделие не предназначено для использования лицами (включая детей) с пониженными физическими, чувственными или умственными способностями или при отсутствии у них жизненного опыта или знаний, если они не находятся под контролем или не проинструктированы об использовании электроинструмента лицом, ответственным за их безопасность.**
- ### Применение электроинструмента и обращение с ним
- ▶ **Не перегружайте электроинструмент. Используйте для работы соответствующий специальный электроинструмент.** С подходящим электроинструментом Вы работаете лучше и надежнее в указанном диапазоне мощности.
 - ▶ **Не работайте с электроинструментом при неисправном выключателе.** Электроинструмент, который не поддается включению или выключению, опасен и должен быть отремонтирован.
 - ▶ **Перед тем как настраивать электроинструмент, заменять принадлежности или убирать электроинструмент на хранение, отключите штепсельную вилку от розетки сети и/или выньте, если это возможно, аккумулятор.** Эта мера предосторожности предотвращает непреднамеренное включение электроинструмента.
 - ▶ **Храните электроинструменты в недоступном для детей месте. Не разрешайте пользоваться электроинструментом лицам, которые не знакомы с ним или не читали настоящих инструкций.** Электроинструменты опасны в руках неопытных лиц.
 - ▶ **Тщательно ухаживайте за электроинструментом и принадлежностями. Проверяйте безупречную функцию и ход движущихся частей электроинструмента, отсутствие поломок или повреждений, отрицательно влияющих на функцию электроинструмента. Поврежденные части должны быть отремонтированы до использования электроинструмента.** Плохое обслуживание электроинструментов является причиной большого числа несчастных случаев.
 - ▶ **Держите режущий инструмент в заточенном и чистом состоянии.** Забот-

ливо уложенные режущие инструменты с острыми режущими кромками режут и их легче вести.

- ▶ **Применяйте электроинструмент, принадлежности, рабочие инструменты и т.п. в соответствии с настоящими инструкциями. Учитывайте при этом рабочие условия и выполняемую работу.** Использование электроинструментов для непредусмотренных работ может привести к опасным ситуациям.
- ▶ **Держите ручки и поверхности захвата сухими и чистыми, следите чтобы на них не было жидкой или консистентной смазки.** Скользкие ручки и поверхности захвата препятствуют безопасному обращению с инструментом и не дают надежно контролировать его в непредвиденных ситуациях.

Техника безопасности при работе с аппаратом плазменной резки

Инструкция по электромагнитной совместимости

Перед установкой и эксплуатацией сварочного оборудования пользователю необходимо оценить возможные электромагнитные воздействия на окружающее пространство в непосредственной близости.

Следует обращать внимание на:

- Другие сетевые кабели, кабели и провода управления, телефонные и охранные кабели по близости со сварочным оборудованием и/или в непосредственной близости от проведения сварочных работ.
- Радио и телевизионные приемники и передатчики. - Компьютеры и другую оргтехнику.
- Оборудование, отвечающее за безопасность производственных объектов.
- Устройства, связанные со здоровьем окружающих людей (напр. электронные стимуляторы сердца, слуховые аппараты).
- Электронные контрольно-измерительные приборы.

Защита от ожогов

- ▶ Искры, шлак, горячий металл и излучение дуги могут нанести серьезный вред глазам и коже, причём, чем ближе человек находится к сварочной дуге, тем серьезнее могут быть травмы.

- ▶ Поэтому и сварщику, и другим людям, находящимся в зоне проведения сварочных работ, необходимо иметь соответствующие средства защиты.
- ▶ Мы настоятельно рекомендуем использование головного убора, перчаток/края сварщика, огнезащитного костюма/куртки и штанов, ботинок/сапог, которые должны закрывать все участки тела.

Защита от поражения электрическим током

- ▶ Любое поражение током имеет вероятность смертельного исхода, поэтому всегда избегайте касания открытых токопроводящих частей.
- ▶ Используйте изолирующие коврики и перчатки; одежда должна быть всегда сухой.
- ▶ Старайтесь не проводить работы резке в местах с избыточной влажностью.
- ▶ Заземляйте оборудование в соответствии с правилами эксплуатации электроустановок и техники безопасности.
- ▶ При замене кабеля, а также в случаях снятия крышки с аппарата, обязательно отсоедините аппарат от сети.

Защита органов дыхания

- ▶ Дым и газ, образующиеся в процессе плазменной резки- опасны для здоровья.
- ▶ Зона резки должна хорошо вентилироваться.
- ▶ Металлы, имеющие в составе или покрытиях: свинец, кадмий, цинк, ртуть и бериллий, могут выделять ядовитые газы в опасных концентрациях под воздействием плазменной дуги.
- ▶ При необходимости резки таких материалов обязательно наличие вытяжной вентиляции, либо индивидуальных средств защиты органов дыхания, обеспечивающих фильтрацию или подачу чистого воздуха.
- ▶ Если покрытие из таких металлов невозможно удалить с места сварки и средства защиты отсутствуют, проводить резку категорически запрещено.

Защита от облучения

- ▶ Ультрафиолетовое излучение плазменной дуги может нанести непоправимый вред глазам и коже; поэтому обязательно используйте сварочную маску /щиток и защитную одежду.
- ▶ Маска должна быть полностью исправна, в противном случае ее следует за-

менить, поскольку излучение плазменной дуги может нанести вред глазам.

- ▶ Опасно смотреть незащищенными глазами на дугу на расстоянии менее 15 метров. Необходимо принять меры для защиты людей, находящихся в рабочей зоне или рядом с ней.

Пожаро взрывобезопасность

- ▶ Убедитесь, что средства пожаротушения (огнетушитель, вода, песок, пр.) доступны в ближней зоне сварки.
- ▶ Все огне-, взрывоопасные материалы должны быть удалены на минимальное расстояние 10 метров от места проведения работ.
- ▶ Никогда не разрезайте закрытые ёмкости, содержащие токсические или потенциально взрывчатые вещества (напр., бензобак автомобиля) - в таких случаях необходимо провести предварительную тщательную очистку ёмкости.
- ▶ Никогда не проводите работы по резке в атмосфере с большой концентрацией пыли, огнеопасного газа или испарений горючих жидкостей.
- ▶ После каждой операции убедитесь, что изделие достаточно остыло, прежде чем касаться его руками или горячими/ взрывоопасными материалами.

Электронные устройства жизнеобеспечения

- ▶ Людям, использующим жизнеобеспечивающие электронные приборы (напр, электронный стимулятор сердца), настоятельно рекомендуется проконсультироваться со своим лечащим врачом перед тем, как проводить или находиться в непосредственной близости от работ с плазменной резкой.
- ▶ Правильное функционирование оборудования гарантируется лишь при правильном подключении.
- ▶ Убедитесь, что напряжение в сети соответствует диапазона напряжения питания, указанному на оборудовании.
- ▶ Всегда используйте защитное заземление.

Описание продукта и услуг



Прочтите все указания и инструкции по технике безопасности.

Упущения в отношении указаний и инструкций по технике безопасности могут стать причиной поражения электрическим током,

пожара и тяжелых травм.

Применение по назначению

Аппарат PCUT40-C может широко применяться для резки углеродистой стали, нержавеющей стали, алюминиевых сплавов, меди и других цветных металлов. Это портативная инверторная установка для воздушно-плазменной резки, обладающая высоким КПД, обеспечивает стабильную работу при небольшом потреблении электроэнергии.

Установка воздушно-плазменной резки состоит из двух частей: плазмотрона (резака) и источника питания. Плазмотрон – основная часть и рабочий инструмент системы, создает высокотемпературную плазменную струю, получаемую за счет обжатия дуги проходящим воздухом. Источник обеспечивает стабилизированный ток и напряжение резки, подаваемое на плазмотрон.

В качестве плазмообразующего газа используется воздух, поступающий от компрессора. Инвертор установки преобразует рабочую частоту сети 50 / 60 Гц в частоту до 100 кГц с высоким КПД, после преобразования выдает постоянный режущий ток высокой мощности. По сравнению с традиционными источниками питания для плазменной резки, инверторная технология существенно снижает вес и размеры основного трансформатора, при этом КПД возрастает по сравнению с обычными установками.

Изображенные составные части

Нумерация представленных компонентов выполнена по изображению на странице с иллюстрациями.

1. Световой индикатор перегрузки
2. Дисплей амперметра
3. Регулятор силы тока
4. Разъем подключения плазмотрона
5. Разъем для подключения кнопки управления плазматроном.
6. Разъем для подключения зажима на массу

Технические характеристики

Модель	PCUT40-C
Номинальное напряжение / частота	190-250 В~/50 Гц
Номинальная мощность	6200 Вт
Максимум. Толщина резки	10 мм(3/8")

Модель	PCUT40-C
Вес	8.8 кг

Комплект поставки

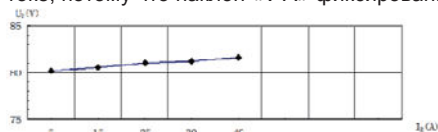
Аппарат плазменной резки	1 шт
Плазматрон	1 шт
Зажим на массу с кабелем	1 шт
Рукав газовый	2 шт
Узел подготовки воздуха	1 шт
Руководство по эксплуатации	1 шт

Примечание

Так как инструмент P.I.T. постоянно совершенствуется, компания оставляет за собой право вносить изменения в указанные здесь технические характеристики и комплектацию без предварительного уведомления.

Вольт-амперная и токовая характеристика источника сварочного тока

Кривая означает внешнюю статическую характеристику «V-A» сварочной мощности, градиент отверждения, называемый крутизной, нормальный означает «падение напряжения на 100 А». Кривая показывает выходное напряжение, которое мы можем получить при любом заданном выходном токе, потому что наклон «V-A» фиксирован.



Подключение оборудования

- ▶ Подсоедините гайку основного кабеля плазматрона к разъему подключения на передней панели аппарата. Проверьте и при необходимости замените рабочие расходные части плазматрона: катод, сопло, диффузор, защитную насадку. При установке катода и защитной насадки не используйте инструменты – достаточно небольшого усилия пальцев. Внимание! Разборку плазматрона осуществляйте только при выключенном аппарате. Убедитесь, что части плазматрона находятся в остывшем состоянии!
- ▶ Подсоедините кабель управления от кнопки плазматрона к разъему на передней панели.
- ▶ Подсоедините шланг от компрессора/пневмосети к входу газового редуктора-осушителя (узел подготовки воздуха), идущему в комплекте. Выставьте давлe-

ние на манометре редуктора-осушителя 0,5 МПа.

- ▶ Подсоедините вставку кабеля заземления к разъему на передней панели аппарата, а зажим на массу закрепите на детали. Убедитесь в хорошем электрическом контакте зажима и детали.
- ▶ Заземлите деталь и корпус аппарата. Если есть возможность, проверьте с помощью вольтметра, соответствует ли питающее напряжение необходимому. Убедитесь, что на всех кабелях и рукавах отсутствуют разрезы или разрывы. Подсоедините вилку сетевого кабеля к сетевой розетке.

Начало работы

- ▶ Включите питание сетевым выключателем на задней панели аппарата в положение «Вкл».
- ▶ Установите режущий ток в зависимости от толщины разрезаемой детали.
- ▶ Для проверки кратковременно нажмите кнопку на плазматроне – должен открыться клапан.
- ▶ Коснитесь соплом детали, нажмите кнопку на плазматроне, после того как дуга зажглась, начинайте резку.

Особенности при работе с использованием сжатого воздуха

Используемый сжатый воздух от компрессора должен иметь давление не меньше 6 атмосфер (бар) (0,6 МПа) с минимальной нормой расхода 200 л/мин.

Если воздух поступает от компрессора или центральной системы, регулятор должен быть установлен на максимальное давление выхода, которое не должно, однако, превышать 8 атмосфер (бар) (0,8 МПа).

Если воздух поступает от баллона со сжатым воздухом, то баллон со сжатым воздухом должен быть оборудован регулятором давления.

Частая проблема многих бюджетных компрессоров: на выходе компрессора установлены штуцеры и переходники с малым отверстием, что при большом расходе воздуха приводит к падению давления.

Этого можно избежать, подключив шланг не к узлу выхода компрессора, а напрямую к ресиверу (у многих моделей для этого надо удалить заглушку сбоку и вставить вместо нее штуцер; однако не рекомендуется для этого использовать заглушку снизу для удаления конденсата).

Баллон со сжатым воздухом никогда не

должен непосредственно соединяться с входным устройством плазменной установки, только через редуктор-осушитель!

Советы по резке

- ▶ Во время резки ведите плазматрон перпендикулярно разрезаемой поверхности.
- ▶ Если необходимо прожечь отверстие («пробой»), немного наклоните плазматрон, чтобы уменьшить опасность обратных брызг и их налипание на сопло плазматрона. При частых пробоях отверстий своевременно очищайте сопло от налипшего металла. Надо помнить, что поджиг дуги «на пробой» уменьшает срок службы сопла, катода и защитной насадки.
- ▶ Если поместить под изделием ванну с водой, то можно практически полностью убрать вредное влияние дыма и брызг металла.
- ▶ Если дуга плохо зажигается, проверьте, чтобы жим заземления обязательно имел хороший контакт (проверьте, нет ли на месте подсоединения краски, масла, загрязнений, ржавчины).
- ▶ Если при резке дуга «рвётся», дуга горит нестабильно – проверьте давление воздуха на редукторе-осушителе, как правило, наиболее стабильный результат дает рабочее давление 0,5 МПа. Однако в зависимости от производительности, толщины резки, можно увеличивать давление, при этом следя за стабильностью работы. Наилучший результат резки и минимальный износ сопла и катода будет на максимальном давлении, однако если дуга начинает рваться, необходимо снизить давление на редукторе до прекращения срывов.

МЕРЫ ПРЕДОСТОРОЖНОСТИ! Запрещены любые подсоединения и отсоединения разъемов и контактов плазматрона, кабеля заземления, сетевого кабеля во время резки, это может причинить вред, как здоровью человека, так и оборудованию.

Условия эксплуатации

- ▶ Эксплуатация данной установки должна проводиться в сравнительно сухом воздухе, влажностью не больше 80%.
- ▶ Температура окружающей среды должна быть от -10 до 40°C.
- ▶ Избегайте работать под дождем, не допускайте попадания воды или капель дождя.

- ▶ Избегайте работать в условиях высокой запыленности или воздушной среде с агрессивными газами. Избегайте попадания токопроводящей пыли от плазменной струи внутрь аппарата.
- ▶ Работа сверх указанных режимов или длительная эксплуатация на максимальных токах может повредить установку, поэтому обращайте внимание на следующее:
 - Удостоверьтесь, что вентиляторы не заблокированы и не закрыты. Дистанция между аппаратами и окружающими предметами (стеной, перегородкой, пр.) должна быть не менее 0,3 м.
 - Если рабочее время на установленном токе превзойдет расчетное, машина может перейти в режим защиты и прекратить работу. При этом срабатывает индикатор перегрева на передней панели. При таких обстоятельствах не нужно отключать аппарат от сети, чтобы вентилятор мог продолжать работать. Когда температура уменьшится до рабочей, индикатор погаснет, и вы сможете продолжить работу.
 - Избегайте повышенного входящего напряжения и скачков питания!

Техобслуживание и сервис

Техобслуживание и очистка

ВНИМАНИЕ: Все работы по обслуживанию и проверке должны выполняться при отключенном электропитании. Убедитесь, что сетевой кабель отключен от сети, прежде чем Вы откроете корпус.

- ▶ **Используйте сухой чистый сжатый воздух, чтобы периодически удалять пыль из аппарата.** Если машина работает в условиях сильно загрязненной окружающей среды, проводите очистку два раза в месяц.
- ▶ **При продувке будьте осторожны – сильное давление воздуха может повредить небольшие части аппарата.**
- ▶ **Проверяйте состояние клемм и контактов внутри устройства:** если есть ржавчина или расшатавшиеся контакты, используйте наждачную бумагу для удаления ржавчины или окислов, и повторно закрепите их.
- ▶ **Не допускайте попадания воды или водяного пара во внутренние части машины.** Если это произошло, просушите, а затем измерьте сопротивление между корпусом и токоподводящими

элементами. Не продолжайте работу, пока не убедитесь, что отсутствуют нетипичные явления.

- ▶ Если аппарат долгое время не используется, поместите его в коробку, храните ее в сухом месте.

Сервис

- ▶ Ремонт вашего электроинструмента поручайте только квалифицированному персоналу и только с применением оригинальных запасных частей. Этим обеспечивается безопасность электроинструмента.

Список авторизованных сервисных центров можно посмотреть на официальном сайте P.I.T. по ссылке: <https://pittools.ru/servises/>

Хранение и транспортировка

При транспортировке и хранения оборудования необходимо исключать возможность непосредственного воздействия атмосферных осадков, агрессивных сред, ударов и сильной тряски.

- ▶ Транспортировка оборудования должна производиться только в вертикальном положении.
- ▶ Аппарат следует беречь от попадания воды и снега.
- ▶ Обратите внимание на обозначения на упаковке.
- ▶ Тара для хранения и транспортировки должна быть сухой, со свободной циркуляцией воздуха. В месте хранения не допускается присутствия коррозионного газа или пыли. Диапазон допускаемых температур от 0°C до +55°C, при относительной влажности не более 85%.
- ▶ После того, как упаковка была открыта, рекомендуется для дальнейшего хранения и транспортировки переупаковать оборудование. (Перед хранением рекомендуется провести очистку и запечатать оборудование в штатную упаковку).
- ▶ Аппарат должен храниться в сухом помещении, при температуре от 0 до +50% и относительной влажности воздуха до 80%.
- ▶ При хранении оборудования должно быть отключено от электрической сети.
- ▶ Торговое помещение, в котором производится реализация сварочного аппарата, должно отвечать вышеперечисленным условиям хранения.

Утилизация

Отслужившие свой срок электроинструменты, принадлежности и упаковку следует

сдавать на экологически чистую переработку отходов.



Утилизируйте электроинструмент отдельно от бытового мусора!

Расшифровка Даты Изготовления Изделия

№.

1	7	0	7	3	0	0	3	9	5
---	---	---	---	---	---	---	---	---	---

год месяц день

Дата изготовления изделия зашифрована в серийном номере, напечатанном на корпусе инструмента. Первые 2 цифры обозначают год выпуска, следующие 2 цифры – месяц и следующие 2 цифры – день.

УСЛОВИЯ ГАРАНТИЙНОГО ОБСЛУЖИВАНИЯ

1. Настоящее гарантийное свидетельство является единственным документом, подтверждающим ваше право на бесплатное гарантийное обслуживание. Без предъявления данного свидетельства претензии не принимаются. В случае утери или порчи гарантийное свидетельство не восстанавливается.

2. Гарантийный срок на электроинструмент, а также зарядные устройства и аккумуляторные батареи серии OnePower составляет 12 месяцев со дня продажи, в течение гарантийного срока сервисная служба бесплатно устраняет производственные дефекты и производит замену деталей, вышедших из строя по вине изготовителя. На период гарантийного ремонта эквивалентный исправный инструмент не предоставляется. Заменяемые детали переходят в собственность служб сервиса.

Компания P.I.T. не несет ответственности за вред, который может быть причинен при работе с электроинструментом.

3. В гарантийный ремонт инструмент принимается в чистом виде, при обязательном наличии надлежащим образом оформленных документов: настоящего гарантийного свидетельства, гарантийного талона, с полностью заполненными полями, штампом торговой организации и подписью покупателя.

4. Гарантийный ремонт не производится в следующих случаях:

- при отсутствии гарантийного свидетель-

ства и гарантийного талона или неправильного их оформления;

- при совместном выходе из строя якоря и статора электродвигателя, при обугливание или оплавлении первичной обмотки трансформатора сварочного аппарата, зарядного или пуско-зарядного устройства, при оплавлении внутренних деталей, прожиге электронных плат;

- если гарантийное свидетельство или талон не принадлежат данному электроинструменту или не соответствует установленному поставщиком образцу;

- по истечении срока гарантии;

- при попытках самостоятельного вскрытия или ремонта электроинструмента вне гарантийной мастерской;

- внесения конструктивных изменений и смазки инструмента в гарантийный период, о чем свидетельствуют, например, заломы на шлицевых частях крепежа корпусных деталей.

- при использовании электроинструмента в производственных или иных целях, связанных с получением прибыли, а также при возникновении неисправностей связанных с нестабильностью параметров электросети, превышающих нормы, установленные ГОСТ;

- при неправильной эксплуатации (использование электроинструмента не по назначению, установки на электроинструмент не предназначенных заводом-изготовителем насадок, дополнительных приспособлений и т.п.;

- при механических повреждениях корпуса, сетевого шнура и при повреждениях, вызванных воздействиями агрессивных средств и высоких и низких температур, попадании инородных предметов в вентиляционные решетки электроинструмента, а также при повреждениях, наступивших в результате неправильного хранения (коррозия металлических частей);

- при естественном износе деталей электроинструмента, в результате длительной эксплуатации (определяется по признакам полной или частичной выработки ресурса, сильного загрязнения, ржавчины снаружи и внутри электроинструмента, отработанной смазки в редукторе);

- использование инструмента не по назначению, указанному в инструкции по эксплуатации.

- при механических повреждениях инструмента;

- при возникновении повреждений в связи с несоблюдением предусмотренных инструкцией условий эксплуатации (см. главу «Указание по технике безопасности» в инструкции).

- повреждение изделия вследствие несоблюдения правил хранения и транспортировки.

- при сильном внутреннем загрязнении инструмента.

Профилактическое обслуживание электроинструмента (чистка, промывка, смазка, замена пыльников, поршневых и уплотнительных колец) в гарантийный период является платной услугой.

Срок службы изделия составляет 3 года.

Срок хранения – 2 года. Не рекомендуется к эксплуатации по истечении 2 лет хранения с даты изготовления, которая указана в серийном номере на этикетке инструмента, без предварительной проверки (определение даты выпуска смотрите ранее в Руководстве пользователя).

О возможных нарушениях, изложенных выше условий гарантийного обслуживания, владельцу сообщается после проведения диагностики в сервисном центре.

Владелец инструмента доверяет проведение диагностики в сервисном центре в свое отсутствие.

Запрещается эксплуатация электроинструмента при проявлении признаков повышенного нагрева, искрения, а также шума в редукторной части. Для выяснения причин неисправности покупателю следует обратиться в гарантийную мастерскую.

Неисправности, вызванные несвоевременной заменой угольных щеток двигателя, устраняются за счет покупателя.

5.Гарантия не распространяется на:

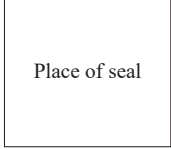
- сменные принадлежности (аксессуары и оснастка), например: аккумуляторы, диски, ножи, сверла, буры, патроны, цепи, звездочки, цанговые зажимы, шины, элементы натяжения и крепления, головки триммеров, подошвы шлифовальных и ленточных машин, фильтры, головки шестигранные сменные насадки и т.п.

- быстроизнашивающиеся детали, например: угольные щетки, приводные ремни, сальники, защитные кожухи, направляющие ролики, направляющие, резиновые уплотнения, подшипники, зубчатые ремни и колеса, стволы, ленты тормоза, храповики и тросы стартеров, поршневые кольца и т.п.

Замена их в течение гарантийного срока является платной услугой.

-шнуры питания, в случае повреждения изоляции, шнуры питания подлежат обязательной замене без согласия владельца (услуга платная), в т.ч. корпуса инструмента.

P.I.T. WARRANTY CERTIFICATE



Product Name _____
 Product Serial Number
 Charger Serial Number
 Sale Date _____
 Trade Organization Name _____

Dear customer!
 Thank you for purchasing the P.I.T. tool, and we hope that you will be satisfied with your choice. In the process of manufacturing the P.I.T. tools pass multilevel quality control, if nevertheless your product will need maintenance, please contact the authorized P.I.T. service centers.
 Attention!

When buying, ask a seller to check the completeness and operability of the tool, to fill out the Warranty Certificate, the Warranty Card (the boxes shall be filled out by a seller) and to affix the seal of the trade organization in the Guarantee Certificate and the Warranty Card.

Warranty
 By this Warranty Certificate, P.I.T. company guarantees the absence of defects of the production nature.

In the event any of the above defects are detected during the warranty period, the specialized P.I.T. service centers shall repair the product and replace the defective spare parts free of charge.

The warranty period for P.I.T. electric machines is 12 months from the date of sale.
 "The warranty maintenance terms acknowledged and accepted. The operability and completeness of the product are checked in my presence. No claims on quality and appearance."

Buyer's Signature _____ Surname (legibly) _____
 Phone _____

ГАРАНТИЙНОЕ СВИДЕТЕЛЬСТВО НА ИНСТРУМЕНТ P.I.T.

Наименование изделия _____

Серийный номер изделия □□□□□□□□□□

Серийный номер зарядного устройства □□□□□□□□□□

Дата продажи « ____ » _____

Наименование торговой организации _____

Уважаемый покупатель!

М.П.

Благодарим Вас за покупку инструмента P.I.T. и надеемся, что Вы останетесь довольны своим выбором.

При необходимости обслуживания Вашего изделия обращайтесь в авторизированные сервисные центры P.I.T. Все сервисные центры представлены на сайте www.pittools.ru

Внимание!

При покупке требуйте у продавца проверки работоспособности инструмента и его комплектности, а также заполнения гарантийного свидетельства, гарантийного талона (графы «Заполняются продавцом») и простановки печати торговой организации в гарантийном свидетельстве и гарантийных талонах.

Гарантия

На основании данного гарантийного свидетельства компания P.I.T. гарантирует отсутствие дефектов производственного характера.

Если в течение гарантийного срока в Вашем изделии обнаружатся указанные дефекты, то специализированные сервисные центры P.I.T. бесплатно отремонтируют изделие и заменят дефектные запасные части.

Гарантийный срок на электроинструменты P.I.T. составляет 12 месяцев со дня продажи.

«С условиями гарантийного обслуживания ознакомлен(а). Работоспособность и комплектность изделия проверены в моем присутствии. Претензий к качеству и внешнему виду не имею».

Подпись покупателя _____ Фамилия (разборчиво) _____

Телефон _____

P.I.T. WARRANTY CARD

Name _____ Serial Number _____ Sale Date _____ 20__ Date of Receipt from Repair _____ 20__	P.I.T.	№ 1
	Name _____	
	Serial Number _____	
	Sale Date _____ 20__	
	Place of Seal	
	(Filled out by a Seller)	
	WARRANTY REPAIR CARD	
	Date of Acceptance for Repair _____ 20__	
	Application for Repair _____	
	Customer _____	
Phone (Address) _____		
Cause of Application _____		
Date of Receipt from Repair _____ 20__		
The Tool is checked in my presence _____		
(The Order shall be performed in a Service Center) (Signature)		

Name _____ Serial Number _____ Sale Date _____ 20__ Date of Receipt from Repair _____ 20__	P.I.T.	№ 2
	Name _____	
	Serial Number _____	
	Sale Date _____ 20__	
	Place of Seal	
	(Filled out by a Seller)	
	WARRANTY REPAIR CARD	
	Date of Acceptance for Repair _____ 20__	
	Application for Repair _____	
	Customer _____	
Phone (Address) _____		
Cause of Application _____		
Date of Receipt from Repair _____ 20__		
The Tool is checked in my presence _____		
(The Order shall be performed in a Service Center) (Signature)		

Name _____ Serial Number _____ Sale Date _____ 20__ Date of Receipt from Repair _____ 20__	P.I.T.	№ 3
	Name _____	
	Serial Number _____	
	Sale Date _____ 20__	
	Place of Seal	
	(Filled out by a Seller)	
	WARRANTY REPAIR CARD	
	Date of Acceptance for Repair _____ 20__	
	Application for Repair _____	
	Customer _____	
Phone (Address) _____		
Cause of Application _____		
Date of Receipt from Repair _____ 20__		
The Tool is checked in my presence _____		
(The Order shall be performed in a Service Center) (Signature)		

ГАРАНТИЙНЫЙ ТАЛОН P.I.T.

P.I.T.

Талон № 1

Наименование _____
 Серийный номер _____
 Дата продажи « ____ » _____ 20__ Place of Seal
 (Заполняется продавцом)
 КАРТА ГАРАНТИЙНОГО РЕМОНА
 Дата приема ремонт _____ 20__
 Заявка на ремонт _____
 Заказчик _____
 Телефон (адрес) _____
 Причина обращения _____
 Дата получения от ремонта _____ 20__
 Инструмент проверен в моем присутствии _____
 (Заказ заполняется в Сервисном Центре) (Подпись)

Наименование _____
 Серийный номер _____
 Дата продажи _____ 20__
 Дата получения от ремонта _____ 20__

P.I.T.

Талон № 2

Наименование _____
 Серийный номер _____
 Дата продажи « ____ » _____ 20__ Place of Seal
 (Заполняется продавцом)
 КАРТА ГАРАНТИЙНОГО РЕМОНА
 Дата приема ремонт _____ 20__
 Заявка на ремонт _____
 Заказчик _____
 Телефон (адрес) _____
 Причина обращения _____
 Дата получения от ремонта _____ 20__
 Инструмент проверен в моем присутствии _____
 (Заказ заполняется в Сервисном Центре) (Подпись)

Наименование _____
 Серийный номер _____
 Дата продажи _____ 20__
 Дата получения от ремонта _____ 20__

P.I.T.

Талон № 3

Наименование _____
 Серийный номер _____
 Дата продажи « ____ » _____ 20__ Place of Seal
 (Заполняется продавцом)
 КАРТА ГАРАНТИЙНОГО РЕМОНА
 Дата приема ремонт _____ 20__
 Заявка на ремонт _____
 Заказчик _____
 Телефон (адрес) _____
 Причина обращения _____
 Дата получения от ремонта _____ 20__
 Инструмент проверен в моем присутствии _____
 (Заказ заполняется в Сервисном Центре) (Подпись)

Наименование _____
 Серийный номер _____
 Дата продажи _____ 20__
 Дата получения от ремонта _____ 20__



www.pit-tools.com

P.I.T.

Поставщик / производитель: Xinjiang Longbo Industrial Co., Ltd./Синьцзян Лонгбо Индастриал Ко., Лтд.

Адрес производства: Rm. 602, 6th Floor, No. 531, Weixing Road, Economic And Technological Development Zone, Urumqi, Xinjiang, China / Оф.602, 6 этаж, №531, Вейшинг Родд, Экономик Энд Технолджикал Девелопмент Зон, Урумчи, Синьцзян, Китай

Импортер/ организация, уполномоченная принимать претензии: ООО «Турбо-Тулс»

Юридический адрес: 117246, г. Москва, ул. Херсонская, 43 - 670

Вопросы и предложения направляйте по адресу: 614058, г. Пермь, ул. Фоминская, 36

Горячая линия по сервисному обслуживанию:



*** 2445**

Звонок с мобильного
бесплатный

info@pittools.ru

Сделано в КНР / Made in China

