





# MANUALE ISTRUZIONE

(EN).....	pag. 3	(RO).....	pag. 20	(SK).....	pag. 36
(IT).....	pag. 4	(SV).....	pag. 22	(HU).....	pag. 38
(FR).....	pag. 6	(CS).....	pag. 24	(LT).....	pag. 40
(ES).....	pag. 8	(HR-SR).....	pag. 26	(ET).....	pag. 41
(DE).....	pag. 10	(PL).....	pag. 27	(LV).....	pag. 43
(RU).....	pag. 12	(FI).....	pag. 29	(BG).....	pag. 45
(PT).....	pag. 14	(DA).....	pag. 31	(AR).....	pag. 48
(NL).....	pag. 16	(NO).....	pag. 33		
(EL).....	pag. 18	(SL).....	pag. 34		

(EN)	EXPLANATION OF DANGER, MANDATORY AND PROHIBITION SIGNS.	(PL)	OBJAŚNIENIA ZNAKÓW OSTRZEGAWCZYCH, NAKAZU I ZAKAZU.
(IT)	LEGENDA SEGNALI DI PERICOLO, D'OBBLIGO E DIVIETO.	(FI)	VAROITUS, VELVOITUS, JA KIELTOMERKIT.
(FR)	LÉGENDE SIGNAUX DE DANGER, D'OBLIGATION ET D'INTERDICTION.	(DA)	OVERSIGT OVER FARE, PLIGT OG FORBUDSSIGNALER.
(ES)	LEYENDA SEÑALES DE PELIGRO, DE OBLIGACIÓN Y PROHIBICIÓN.	(NO)	SIGNALERINGSTEKST FOR FARE, FORPLIKTELSE OG FORBUDT.
(DE)	LEGENDE DER GEFÄHREN-, GEBOTS- UND VERBOTSZEICHEN.	(SL)	LEGENDA SIGNALOV ZA NEVARNOST, ZA PREDPISANO IN PREPOVEDANO.
(RU)	ЛЕГЕНДА СИМВОЛОВ БЕЗОПАСНОСТИ, ОБЯЗАННОСТИ И ЗАПРЕТА.	(SK)	VYSVETLIVKY K SIGNÁLOM NEBEZPEČENSTVA, PŘIKAZOM A ZÁKAZOM.
(PT)	LEGENDA DOS SINAIS DE PERIGO, OBRIGAÇÃO E PROIBIDO.	(HU)	A VESZÉLY, KÖTELEZTÉTSÉG ÉS TILTÁS JELZÉSEINEK FELIRATAI.
(NL)	LEGENDE SIGNALLEN VAN GEVAAR, VERPLICHTING EN VERBOD.	(LT)	PAVOJUS, PRIVALOMŲJŲ IR DRAUDŽIAMŲJŲ ŽENKLŲ PAAIŠKINIMAS.
(EL)	ΛΕΞΑΝΤΑ ΣΗΜΑΤΩΝ ΚΙΝΔΥΝΟΥ, ΥΠΟΧΡΕΩΣΗΣ ΚΑΙ ΑΠΑΓΟΡΕΥΣΗΣ.	(ET)	OHUD, KOHUSTUSED JA KEELUD.
(RO)	LEGENDĂ INDICATOARE DE AVERTIZARE A PERICOLELOR, DE OBLIGARE ȘI DE INTERZICERE.	(LV)	BIŠTAMĪBU, PIENĀKUMU UN AIZLIEGUMA ZĪMJU PASKAIDROJUMI.
(SV)	BILDTEXT SYMBOLER FÖR FARA, PÅBUD OCH FÖRBUD.	(BG)	ЛЕГЕНДА НА ЗНАЦИТЕ ЗА ОПАСНОСТ, ЗАДЪЛЖИТЕЛНИ И ЗА ЗАБРАНА.
(CS)	VYSVĚTLIVKY K SIGNÁLŮM NEBEZPEČÍ, PŘIKAZŮM A ZÁKAZŮM.	(AR)	مفاتيح رموز الخطر والإلزام والحظر.
(HR-SR)	LEGENDA OZNAKA OPASNOSTI, OBAVEZA I ZABRANA.		

	(EN) DANGER OF EXPLOSION - (IT) PERICOLO ESPLOSIONE - (FR) RISQUE D'EXPLOSION - (ES) PELIGRO EXPLOSIÓN - (DE) EXPLOSIONSGEFAHR - (RU) ОПАСНОСТЬ ВЗРЫВА - (PT) PERIGO DE EXPLOSAO - (NL) GEVAAR ONTPLOFFING - (EL) ΚΙΝΔΥΝΟΣ ΕΚΡΗΞΗΣ - (RO) PERICOL DE EXPLOZIE - (SV) FARA FÖR EXPLOSION - (CS) NEBEZPEČÍ VÝBUCHU - (HR-SR) OPASNOST OD EKSPLOZIJE - (PL) NIEBEZPECZENSTWO WYBUCHU - (FI) RÄJÄHDYSVAARA - (DA) SPRÆNGFARE - (NO) FARE FOR EKSPLOSJON - (SL) NEVARNOST EKSPLOZIJE - (SK) NEBEZPEČENSTVO VÝBUCHU - (HU) ROBBANÁS VESZÉLYE - (LT) SPROGIMO PAVOJUS - (ET) PLAHVATUSOHT - (LV) SPRĀDZIENBIŠTAMĪBA - (BG) ОПАСНОСТ ОТ ЕКСПЛОЗИЯ - (AR) خطر الانفجار
	(EN) GENERAL HAZARD - (IT) PERICOLO GENERICO - (FR) DANGER GÉNÉRIQUE - (ES) PELIGRO GENÉRICO - (DE) GEFAHR ALLGEMEINER ART - (RU) ОБЩАЯ ОПАСНОСТЬ - (PT) PERIGO GERAL - (NL) ALGEMEEN GEVAAR - (EL) ΓΕΝΙΚΟΣ ΚΙΝΔΥΝΟΣ - (RO) PERICOL GENERAL - (SV) ALLMÄN FARA - (CS) VŠEOBECNĚ NEBEZPEČÍ - (HR-SR) OPĆA OPASNOST - (PL) OGÓLNE NIEBEZPECZENSTWO - (FI) YLEINEN VAARA - (DA) ALMENN FARE - (NO) GENERISK FARE STRÅLNING - (SL) SPLOŠNA NEVARNOST - (SK) VŠEOBECNĚ NEBEZPEČENSTVO - (HU) ÁLTALÁNOS VESZÉLY - (LT) BENDRAS PAVOJUS - (ET) ÜLDINE OHT - (LV) VISPĀRĪGA BIŠTAMĪBA - (BG) ОБЩИ ОПАСНОСТИ - (AR) خطر عام
	(EN) DANGER OF CORROSIVE SUBSTANCES - (IT) PERICOLO SOSTANZE CORROSIVE - (FR) SUBSTANCES CORROSIVES DANGEREUSES - (ES) PELIGRO SUSTANCIAS CORROSIVAS - (DE) ÄTZENDE GEFÄHRENSTOFFE - (EL) ΟΠΑΣΝΟΣ ΚΟΡΡΟΖΙΩΝ ΒΕΣΤΕΣ - (PT) PERIGO SUBSTÂNCIAS CORROSIVAS - (NL) GEVAAR CORROSIEVE STOFFEN - (RU) КИΝΔΥΝΟΣ ΔΙΑΒΡΩΤΙΚΩΝ ΟΥΣΙΩΝ - (RO) PERICOL DE SUBSTANȚE CORROSIVE - (SV) FARA FRÄTANDE ÄMNER - (CS) NEBEZPEČÍ PLYNOUCÍ Z KOROSIVNÍCH LÁTEK - (HR-SR) OPASNOST OD KOROZIVNIH TVARI - (PL) NIEBEZPECZENSTWO WYDZIAŁANIA SUBSTANCJI KOROZYJNYCH - (FI) SYÖVYTTÄVIEN AINEIDEN VAARA - (DA) FARE, ÆTSENDE STOFFER - (NO) FARE: KORROSIVE SUBSTANSE - (SL) NEVARNOST JEDKE SNOVI - (SK) NEBEZPEČENSTVO VYPYŤVAJUČE Z KOROZIVNYCH LÁTKO - (HU) MARÓ HATÁSÚ ANYAGOK VESZÉLYE - (LT) KOROZINIŲ MEDŽIAGŲ PAVOJUS - (ET) KORRUDEERUVATA MATERIAALIDE OHT - (LV) KOROZIJAS VIĻU BIŠTAMĪBA - (BG) ОПАСНОСТ ОТ КОРОЗИВНИ ВЕЩЕСТВА - (AR) خطر المواد المسببة للتآكل
	(EN) DANGER OF ELECTRIC SHOCK - (IT) PERICOLO SHOCK ELETTRICO - (FR) RISQUE DE CHOC ÉLECTRIQUE - (ES) PELIGRO DESCARGA ELÉCTRICA - (DE) STROMSCHLÄGGEFAHR - (RU) ОПАСНОСТЬ ПОРАЖЕНИЯ ЭЛЕКТРИЧЕСКИМ ТОКОМ - (PT) PERIGO DE CHOQUE ELÉCTRICO - (NL) GEVAAR ELEKTROSHOCK - (EL) ΚΙΝΔΥΝΟΣ ΗΛΕΚΤΡΟΠΑΝΕΙΑΣ - (RO) PERICOL DE ELECTROCUTARE - (SV) FARA FÖR ELEKTRISK STÖT - (CS) NEBEZPEČÍ ZÁSAHU ELEKTRICKÝM Proudem - (HR-SR) OPASNOST STRUJNOG UDARA - (PL) NIEBEZPECZENSTWO SZOKU ELEKTRYCZNEGO - (FI) SÄHKÖISKUN VAARA - (DA) FARE FOR ELEKTRISK STØD - (NO) FARE FOR ELEKTRISK STØT - (SL) NEVARNOST ELEKTRIČNEGA UDARA - (SK) NEBEZPEČENSTVO ZÁSAHU ELEKTRICKÝM Proudom - (HU) ÁRAMTÉS VESZÉLYE - (LT) ELEKTROS SMŪGIO PAVOJUS - (ET) ELEKTRILÕOGIOHT - (LV) ELEKTROŠOKA BIŠTAMĪBA - (BG) ОПАСНОСТ ОТ ТОКОВ УДАР - (AR) خطر الصدمة الكهربائية



(EN) Symbol indicating separation of electrical and electronic appliances for refuse collection. The user is not allowed to dispose of these appliances as solid, mixed urban refuse, and must do it through authorised refuse collection centres. - (IT) Simbolo che indica la raccolta delle apparecchiature elettriche ed elettroniche. L'utente ha l'obbligo di non smaltire questa apparecchiatura come rifiuto municipale solido misto, ma di rivolgersi ai centri di raccolta autorizzati. - (FR) Symbole indiquant la collecte différenciée des appareils électriques et électroniques. L'utilisateur ne peut éliminer ces appareils avec les déchets ménagers solides mixtes, mais doit s'adresser à un centre de collecte autorisé. - (ES) Símbolo que indica la recogida por separado de los aparatos eléctricos y electrónicos. El usuario tiene la obligación de no eliminar este aparato como desecho urbano sólido mixto, sino de dirigirse a los centros de recogida autorizados. - (DE) Symbol für die getrennte Erfassung elektrischer und elektronischer Geräte. Der Benutzer hat pflichtgemäß dafür zu sorgen, daß dieses Gerät nicht mit dem gemischt erfaßten festen Siedlungsabfall entsorgt wird. Stattdessen muß er eine der autorisierten Entsorgungsstellen einschalten. - (RU) Символ, указывающий на раздельный сбор электрического и электронного оборудования. Пользователь не имеет права выбрасывать данное оборудование в качестве смешанного твердого бытового отхода, а обязан обращаться в специализированные центры сбора отходов. - (PT) Símbolo que indica a reunião separada das aparelhagens eléctricas e electrónicas. O utente tem a obrigação de não eliminar esta aparelhagem como lixo municipal sólido misto, mas deve procurar os centros de recolha autorizados. - (NL) Symbool dat wijst op de gescheiden inzameling van elektrische en elektronische toestellen. De gebruiker is verplicht deze toestellen niet te lozen als gemengde vaste stadsafval, maar moet zich wenden tot de geautoriseerde ophaalcentra. - (EL) Σύμβολο που δείχνει τη διαφοροποιημένη συλλογή των ηλεκτρικών και ηλεκτρονικών συσκευών. Ο χρήστης υποχρεούται να μην διοχετεύει αυτή τη συσκευή σαν μικτό στερεό αστικό απόβλητο, αλλά να απευθύνεται σε εγκεκριμένα κέντρα συλλογής. - (RO) Simbol ce indică depozitarea separată a aparaturilor electrice și electronice. Utilizatorul este obligat să nu depoziteze acest aparat împreună cu deșeurile solide mixte ci să-l predea într-un centru de depozitare a deșeurilor autorizat. - (SV) Symbol som indikerar separat sopsortering av elektriska och elektroniska apparater. Användaren får inte sortera denna anordning tillsammans med blandat fast hushållsavfall, utan måste vända sig till en auktoriserad insamlingsstation. - (CS) Symbol označující separovaný sběr elektrických a elektronických zařízení. Uživatel je povinen nezlikvidovat toto zařízení jako pevný smíšený komunální odpad, ale obrátit se s ním na autorizované sběrný. - (HR-SR) Simbol koji označava posebno sakupljanje električnih i elektronskih aparata. Korisnik ne smije odložiti ovaj aparat kao običan kruti otpad, već se mora obratiti ovlaštenim centrima za sakupljanje. - (PL) Symbol, który oznacza sortowanie odpadów aparatury elektrycznej i elektronicznej. Zabrania się likwidowania aparatury jako mieszaných odpadów miejskich stałych, obowiązkiem użytkownika jest skierowanie się do autoryzowanych ośrodków gromadzących odpady. - (FI) Symboli, joka ilmoittaa sähkö- ja elektroniikkalaitteiden erillisen keräyksen. Käyttäjän velvollisuus on kääntyä valtuutettujen keräyspisteiden puoleen eikä välittää laitetta kunnalliseen sekajätteenä. - (DA) Symbol, der står for særlig indsamling af elektriske og elektroniske apparater. Brugeren har pligt til ikke at bortskaffe dette apparat som blandet, fast byaffald; der skal rettes henvendelse til et autoriseret indsamlingscenter. - (NO) Symbol som angir separat sortering av elektriske og elektroniske apparater. Brukeren må oppfylle forpliktelsen å ikke kaste bort dette apparatet sammen med vanlige hjemmeavfallet, uten henvende seg til autoriserte oppsamlingsentraler. - (SL) Simbol, ki označuje ločeno zbiranje električnih in elektronskih aparatov. Uporabnik tega aparata ne sme zavreči kot navaden gospodinjski trden odpadek, ampak se mora obrniti na pooblaščene centre za zbiranje. - (SK) Symbol označujúci separovaný zber elektrických a elektronických zariadení. Užívateľ nesmie likvidovať toto zariadenie ako pevný zmiešaný komunálny odpad, ale je povinný doručiť ho do autorizovaný zberný. - (HU) Jelölés, mely az elektromos és elektronikus felszerelések szelektív hulladékgyűjtését jelzi. A felhasználó köteles ezt a felszerelést nem a városi törmelék hulladékkal együttesen gyűjteni, hanem erre engedéllyel rendelkező hulladékgyűjtő központhoz fordulni. - (LT) Simbolis, nurodantis atskirų nebenaudojamų elektrinių ir elektroninių prietaisų surinkimą. Vartotojas negali išmesti šių prietaisų po rūdusida volitatud kogumiskeskuste poole ja mitte käsitleda seda aparati kui munitsipaalne segajäade. - (LV) Simbols, kas norāda uz to, ka utilizācija ir jāveic atsevišķi no citām elektroniskajām ierīcēm. Lietotāja pienākums ir neizmet šo aparāturu municipālajā cieto atkritumu izgāztuvē, bet nogādāt to pilnvarotajā atkritumu savākšanas centrā. - (BG) Символ, който означава разделно събиране на електрическата и електронна апаратура. Ползвателят се задължава да не изхвърля тази апаратура като смесен твърд отпадък в контейнерите за смет, поставени от общината, а трябва да се обърне към специализираните за това центрове - (AR) رمز يُشير إلى التجميع المنفصل للأجهزة الكهربائية والإلكترونية. يجب على المستخدم عدم التخلص من هذا الجهاز وكأنه نفايات البلدية الصلبة المختلطة، بل عليه التوجه إلى مراكز تجميع النفايات المُصرح بها

INSTRUCTION MANUAL



**WARNING: BEFORE USING THE BATTERY CHARGER READ THE INSTRUCTION MANUAL CAREFULLY.**

**1. GENERAL SAFETY RULES WHEN USING THIS BATTERY CHARGER**



- During the charge the battery produces explosive gases, avoid the formation of flames and sparks. **DO NOT SMOKE.**
- Position the batteries to be charged in a well-ventilated place.



- **Inexperience and untrained people should be properly instructed before using the appliance.**
- **This appliance can be used by children aged from 8 years and above and persons with reduced physical, sensory or mental capabilities or lack of experience and knowledge if they have been given supervision or instruction concerning use of the appliance in a safe way and understand the hazards involved.**
- **Children shall not play with the appliance.**
- **Cleaning and user maintenance shall not be made by children without supervision.**
- Use the battery charger only indoors and make sure that you start it in airy places. **DO NOT SET IN THE RAIN OR SNOW.**
- Disconnect the mains cable before connecting to or disconnecting the charging cables from the battery.
- Do not connect or disconnect the clamps to or from the battery with the battery charger operating.
- Never use the battery charger inside the car or in the bonnet.
- Substitute the mains cable only with an original one.
- If the supply cord is damaged, it must be replaced by the manufacturer, its service agent or similarly qualified persons in order to avoid a hazard.
- Do not use the battery charger to charge batteries which are not rechargeable.
- Make sure the available power supply voltage corresponds to that shown on the battery charger rating plate.
- To avoid damaging the vehicle's electronics, read, keep and take very careful note of the information supplied by the vehicle manufacturer, when using the battery charger either for charging or starting; the same applies to the instructions supplied by the battery manufacturer.
- This battery charger has components such as switches and relays which can cause arcs or sparks. Therefore when using it in a garage or in a similar place set the battery charger in a suitable case.
- Repair or maintenance of the inside of the battery charger can be executed only by skilled technicians.



**ALWAYS DISCONNECT THE POWER SUPPLY CABLE FROM THE MAINS BEFORE ANY MAINTENANCE INTERVENTION ON THE BATTERY CHARGER.**

- Make sure the power outlet is protected by an earth connection.
- For those models without one, connect a plug with suitable capacity in relation to the fuse size shown on the data plate.

**2. INTRODUCTION AND GENERAL DESCRIPTION**

- This battery charger can be used to charge free electrolyte lead acid batteries used on petrol and diesel engine vehicles, motor cycles, boats etc.
- The charging current delivered by the battery decreases according to the characteristic W bend - see the DIN 41774 norm.
- The charger case has a protection degree of IP 20 and is protected against indirect contacts by an earth lead as required for class I equipment.

**3. INSTALLATION ASSEMBLY (FIG.A)**

- Unpack the battery charger and assemble the separate parts contained in the package.
- Models on wheels are to be set in a vertical position.

**POSITIONING THE BATTERY CHARGER**

- During operation, position the battery charger on a stable surface

and make sure that there is no obstruction to air passage through the openings provided to ensure sufficient ventilation.

**CONNECTION TO THE MAIN SUPPLY**

- The battery charger should be connected only and exclusively to a power source with the neutral lead connected to earth. Check that the mains voltage is the same as the voltage of the equipment.
- Check that the power supply is protected by systems such as fuses or automatic switches, sufficient to support the maximum absorption of the equipment.
- The connection to the main supply has to be made using a suitable cable.
- If you put an extension to the primary cable, the section should be adequate and, in any case, never less than that of the cable supplied.
- You always have to earth the equipment with the yellow/green wire contained in the main cable, indicated by the label (⊕), while the other two wires should be connected to the mains.
- You can change the voltage at the special voltage change terminal board (FIG.E).

**4. OPERATION BEFORE CHARGING**

**NB: Before charging check that the capacity of the battery (Ah) which is to be charged, is not inferior to that reported on the data table. (C min).**

**Follow the instructions, taking great care to respect the order given below.**

- Remove the caps of the battery charger (if foreseen) so as to let the gas produced go out.
- Check that the level of the electrolyte covers the plates of the battery. If these were not covered add distilled water and cover them up to 5-10 mm.



**WARNING: USE THE MAXIMUM CAUTION DURING THIS OPERATION AS THE ELECTROLYTE IS A HIGHLY CORROSIVE ACID.**

- Please remember that the exact charge status of the battery can only be determined by using a densimeter which allows measurement of the specific gravity of the electrolyte the following indicate approximate density values for the solute (Kg/l at 20°C):  
1.28 = charged battery  
1.21 = half-charged battery  
1.14 = flat battery
- With the power supply cable disconnected from the mains outlet, connect the charge terminals according to the rated voltage of the battery to be charged, turn the switch to the charge position, and set the timer in the normal charging position.
- Check the polarities of the battery terminals: positive for the + symbol and negative for the - symbol.  
NOTE: If the symbols are indistinguishable remember that the positive terminal is the one not connected to the vehicle chassis.
- Connect the red charge clamp to the positive terminal of the battery (+ symbol).
- Connect the black charge clamp to the vehicle chassis, at a safe distance from the battery and the fuel pipe.  
NOTE: if the battery is not installed in the vehicle, connect the clamp directly to the negative terminal of the battery (- symbol).

**CHARGE**

- Power the battery charger by inserting the power supply cable into the power outlet and turning the switch (if present) to ON.
- The ammeter (if present) will indicate the current (in Amps) delivered towards the battery; during this phase the pointer of the ammeter will decrease slowly to very low values according to the capacity and condition of the battery.

**FIG.B**

**NOTE:** Once the battery is charged you may note the liquid inside the battery starting to "boil". It is advisable to stop charging when this phenomenon appears so as to prevent damage to the battery.

By means of the switch, select the charge current according to the type of battery and its charge condition. This value is shown by the ammeter on the scale with the lower value.

Note that slow charging is the best guarantee for longer battery life as there is less heating, thus preventing plate oxidation and electrolyte boiling.

The ideal current value is 1/10 the ampere-hour power of the battery. For example, for a 40 Amp battery the optimum charge current is 4 Amps.

### Simultaneous charging of several batteries

This operation must be performed with great caution: WARNING; do not simultaneously charge different types of batteries or batteries with different capacities or levels of discharge.

If you have to charge more than one battery at the same time you can connect them "in series" or "in parallel". Between the two systems, we recommend connection in series because you can easily check the current charging each battery, as it will be the same as that shown by the ammeter.

**NOTE:** If two batteries with rated voltages of 12V are connected in series, the battery charger MUST be set to the 24V position.

FIG. C

### END OF CHARGE

- Remove the power supply from the battery charger by turning the switch to OFF (if present) and/or removing the power supply cable from the mains outlet.
- Disconnect the black charge clamp from the chassis of the vehicle or from the negative terminal of the battery (- symbol).
- Disconnect the red charge clamp from the positive terminal of the battery (+ symbol).
- Store the battery charger in a dry place.
- Close up the battery cells with the appropriate plugs (if present).

### STARTING

**Before starting the vehicle, make sure the battery is connected properly to the respective (+ and -) terminals, and that it is in good condition (not sulphated or dud).**

**Never ever start vehicles with the batteries disconnected from their respective terminals; the presence of the battery is essential for the elimination of possible overvoltage that may be generated due to energy accumulating in the connection cables at the starting stage.**

For starting turn the switch to the start position at the voltage corresponding to that of the vehicle being started.

It is essential, before turning the ignition key, to make a rapid charge for 5-10 seconds, which will greatly facilitate starting. **Rapid charging should always be done with the battery charger switched to the charge position and NOT to starting.**

It is possible to enable starting by pressing the remote control button (only for 3-phase).

The current supplied is indicated on the scale of the ammeter with greater capacity.



**WARNING: Before proceeding with starting follow the vehicle manufacturer's instructions carefully!**

- Make sure the power line is protected by fuses or automatic circuit-breakers with sizes as indicated on the rating plate by the (—) symbol.
- In order to prevent overheating in the battery charger, ALWAYS carry out the starting operation according to the duty cycle (work/pause) as indicated on the appliance (e.g. START 3s ON 120s OFF-5 CYCLES). Do not insist if the engine does not start: this could cause serious damage to the battery or even to the electrical equipment in the vehicle.

### 5. BATTERY CHARGER PROTECTIONS (FIG. D)

The battery charger is equipped with protection in case of:

- Overloads (too much current delivered towards the battery).
- Short circuit (charging clamps set in contact with one another).
- Polarity reversal of the battery.
- For battery chargers equipped with fuses, it is necessary, in case of substitution of fuses, to use spares having the same nominal current value as the fuse changed.



**WARNING: If fuses with current values different from those given were used damages to persons and things could be caused. For the same reason do not substitute the fuse with copper (or other materials) bridge.**

**The substitution of the fuses is to be done when the mains cable is disconnected from the mains.**

### 6. USEFUL ADVICE

- Clean the positive and negative terminals of possible oxidation so as to ensure good contact with the clamps.
- Never ever allow the two clamps to come into contact when the battery charger is plugged into the mains. If you do the fuse will blow.
- If the battery charger is used with a battery which is always connected to a vehicle, check the instruction and/or maintenance manual of the

vehicle under the paragraph: "ELECTRIC SYSTEM" or "MAINTENANCE". Before charging it is advisable to disconnect the positive cable which is part of the electrical system of the vehicle.

- Check the battery voltage before connecting it to the battery charger. Remember that 3 caps correspond to a 6 volt battery, while 6 caps to a 12 volt battery. At times you may have two 12 volt batteries. Sometimes there may be two 12Volt batteries in series, in which case a voltage of 24Volt is required to charge both accumulators. Make sure they have the same specifications to prevent uneven charging.
- Before proceeding with starting, carry out a rapid charge for a few minutes: this will limit the starting current, hence also requiring less mains current. Before starting the vehicle, remember to make sure the battery is connected properly to the respective (+ and -) terminals, and that it is in good condition (not sulphated or dud).
- Never ever start vehicles with the batteries disconnected from their respective terminals; the presence of the battery is essential for the elimination of possible overvoltage that may be generated due to energy accumulating in the connection cables at the starting stage.
- If the engine does not start, do not insist, but wait a few minutes and then repeat the rapid charge operation.
- Starting should always be carried out with the battery connected (see the section on STARTING).

(IT)

### MANUALE ISTRUZIONE



**ATTENZIONE: PRIMA DI UTILIZZARE IL CARICABATTERIE LEGGERE ATTENTAMENTE IL MANUALE D'ISTRUZIONE!**

### 1. SICUREZZA GENERALE PER L'USO DI QUESTO CARICABATTERIE



- Durante la carica le batterie emanano gas esplosivi, evitate che si formino fiamme e scintille. **NON FUMARE.**
- Posizionare le batterie in carica in un luogo areato.
- **Le persone inesperte devono essere opportunamente istruite prima di utilizzare l'apparecchio.**
- **L'apparecchio può essere utilizzato da bambini di età non inferiore a 8 anni e da persone con ridotte capacità fisiche, sensoriali o mentali, o prive di esperienza o della necessaria conoscenza, purché sotto sorveglianza oppure dopo che le stesse abbiano ricevuto istruzioni relative all'uso sicuro dell'apparecchio e alla comprensione dei pericoli ad esso inerenti.**
- **I bambini non devono giocare con l'apparecchio.**
- **La pulizia e la manutenzione destinata ad essere effettuata dall'utilizzatore non deve essere effettuata da bambini senza sorveglianza.**
- Usare il caricabatterie esclusivamente all'interno e assicurarsi di operare in ambienti ben areati: **NON ESPORRE A PIOGGIA O NEVE.**
- Disinserire il cavo di alimentazione dalla rete prima di connettere o sconnettere i cavi di carica dalla batteria.
- Non collegare né scollegare le pinze alla batteria con il caricabatterie funzionante.
- Non usare nel modo più assoluto il caricabatterie all'interno di un'autoveettura o del cofano.
- Sostituire il cavo di alimentazione solo con un cavo originale.
- Se il cavo di alimentazione è danneggiato, esso deve essere sostituito dal costruttore o dal suo servizio assistenza tecnica o comunque da una persona con qualifica simile, in modo da prevenire ogni rischio.
- Non utilizzare il caricabatterie per ricaricare batterie di tipo non ricaricabili.
- Verificare che la tensione di alimentazione disponibile sia corrispondente a quella indicata sulla targa dati del caricabatterie.
- Per non danneggiare l'elettronica dei veicoli, leggere, conservare, rispettare scrupolosamente le avvertenze fornite dai costruttori dei veicoli stessi, quando si utilizza il caricabatterie sia in carica che in avviamento; lo stesso vale per le indicazioni fornite dal costruttore di batterie.
- Questo caricabatterie comprende parti, quali interruttori o relè, che possono provocare archi o scintille; pertanto se usato in una

autorimessa o in un ambiente simile, porre il caricabatterie in un locale o in una custodia adatta allo scopo.

- Interventi di riparazione o manutenzione all'interno del caricabatterie devono essere eseguiti solo da personale esperto.



**DISINSERIRE SEMPRE IL CAVO DI ALIMENTAZIONE DALLA RETE PRIMA DI EFFETTUARE QUALSIASI INTERVENTO DI MANUTENZIONE SUL CARICABATTERIE.**

- Controllare che la presa sia provvista di collegamento di terra di protezione.
- Nei modelli che ne sono sprovvisti, collegare spine di portata appropriata al valore del fusibile indicato in targa.

## 2. INTRODUZIONE E DESCRIZIONE GENERALE

- Questo caricabatterie permette la carica di batterie al piombo ad elettrolita libero usate su veicoli a motore (benzina e diesel), motocicli, imbarcazioni, etc.
- La corrente di carica fornita dall'apparecchio decresce secondo la curva caratteristica W ed è in accordo con la norma DIN 41774.
- Il contenitore in cui è installato possiede un grado di protezione IP 20 ed è protetto da contatti indiretti mediante un conduttore di terra come prescritto per gli apparecchi in classe I.

## 3. INSTALLAZIONE ALLESTIMENTO (FIG. A)

- Disimballare il caricabatterie, eseguire il montaggio delle parti staccate, contenute nell'imballo.
- I modelli carrellati vanno installati in posizione verticale.

## UBICAZIONE DEL CARICABATTERIE

- Durante il funzionamento posizionare in modo stabile il caricabatterie e assicurarsi di non ostruire il passaggio d'aria attraverso le apposite aperture garantendo una sufficiente ventilazione.

## COLLEGAMENTO ALLA RETE

- Il caricabatteria deve essere collegato esclusivamente ad un sistema di alimentazione con conduttore di neutro collegato a terra. Controllare che la tensione di rete sia equivalente alla tensione di funzionamento.
- La linea di alimentazione dovrà essere dotata di sistemi di protezione, quali fusibili o interruttori automatici, sufficienti per sopportare l'assorbimento massimo dell'apparecchio.
- Il collegamento alla rete è da effettuarsi con apposito cavo.
- Eventuali prolunghe del cavo di alimentazione devono avere una sezione adeguata e comunque mai inferiore a quella del cavo fornito.
- È sempre obbligatorio collegare a terra l'apparecchio, utilizzando il conduttore di colore giallo-verde del cavo di alimentazione, contraddistinto dall'etichetta ( $\perp$ ), mentre gli altri due conduttori andranno collegati alla rete di tensione.
- Il cambio tensione avviene tramite apposita bassetta cambio tensioni (FIG. E).

## 4. FUNZIONAMENTO PREPARAZIONE PER LA CARICA

**NB: Prima di procedere alla carica, verificare che la capacità delle batterie (Ah) che si intendono sottoporre a carica non sia inferiore a quella indicata in targa (C min).**

**Eseguire le istruzioni seguendo scrupolosamente l'ordine sotto riportato.**

- Rimuovere i coperchi della batteria (se presenti), così che i gas che si producono durante la carica possano fuoriuscire.
- Controllare che il livello dell'elettrolita ricopra le piastre delle batterie; se queste risultassero scoperte aggiungere acqua distillata fino a sommergerle di 5-10 mm.



**ATTENZIONE! PRESTARE LA MASSIMA CAUTELA DURANTE QUESTA OPERAZIONE IN QUANTO L'ELETTROLITA È UN ACIDO ALTAMENTE CORROSIVO.**

- Si ricorda che l'esatto stato di carica delle batterie può essere determinato solo usando un densimetro, che consente di misurare la densità specifica dell'elettrolita; indicativamente valgono i seguenti valori di densità di soluto (Kg/l a 20°C):
  - 1,28 = batteria carica;
  - 1,21 = batteria semicarica;
  - 1,14 = batteria scarica.
- Con cavo di alimentazione staccato dalla presa di rete collegare i morsetti di carica in funzione della tensione nominale della batteria da caricare, porre il commutatore in posizione di carica, e inserire il temporizzatore nella posizione di carica normale.

- Verificare la polarità dei morsetti della batteria: positivo il simbolo + e negativo il simbolo -.

NOTA: se i simboli non si distinguono si ricorda che il morsetto positivo è quello non collegato al telaio della macchina.

- Collegare la pinza di carica di colore rosso al morsetto positivo della batteria (simbolo +).
  - Collegare la pinza di carica di colore nero al telaio della macchina, lontano dalla batteria e dal condotto del carburante.
- NOTA: se la batteria non è installata in macchina, collegarsi direttamente al morsetto negativo della batteria (simbolo -).

## CARICA

- Alimentare il caricabatterie inserendo il cavo di alimentazione nella presa di rete e ponendo su ON l'interruttore (se presente).
- L'ampmetro (se presente) indica la corrente (in Ampere) di carica della batteria: durante questa fase si osserverà che l'indicazione dell'ampmetro diminuirà lentamente fino a valori molto bassi in funzione della capacità e delle condizioni della batteria.

### FIG. B

**NOTA:** Quando la batteria è carica si potrà inoltre notare un principio di "ebollizione" del liquido contenuto nella batteria. Si consiglia di interrompere la carica già all'inizio di questo fenomeno onde evitare danneggiamenti della batteria.

Scegliere tramite il commutatore il valore corrente di carica in base al tipo di accumulatore e al suo stato di carica, detto valore viene segnalato dall'ampmetro, scala con valore più basso.

Si ricorda che una carica lenta è garanzia di maggior durata della batteria in quanto la riscalda meno evitando ossidazioni delle piastre ed ebollizione dell'elettrolita.

Il valore ideale della corrente è di 1/10 della portata in Amper/ora della batteria. Esempio, per una batteria da 40 Amper il valore ideale di carica è di 4 Amper.

## Carica simultanea di più batterie

Effettuare con la massima cautela questo tipo di operazione: ATTENZIONE; non caricare batterie di capacità, scarica e tipologia diversa fra loro. Dovendo caricare più batterie contemporaneamente si può ricorrere a dei collegamenti in "serie" o in "parallelo". Tra i due sistemi è consigliabile il collegamento in serie in quanto in questo modo si può controllare la corrente circolante in ciascuna batteria che sarà analoga a quella segnata dall'ampmetro.

**NOTA:** Nel caso di collegamento in serie di due batterie aventi tensione nominale di 12V, si DEVE predisporre il caricabatterie in posizione 24V.

### FIG. C

## FINE CARICA

- Togliere alimentazione al caricabatterie ponendo su OFF l'interruttore (se presente) e togliendo il cavo di alimentazione dalla presa di rete.
- Scollegare la pinza di carica di colore nero dal telaio della macchina o dal morsetto negativo della batteria (simbolo -).
- Scollegare la pinza di carica di colore rosso dal morsetto positivo della batteria (simbolo +).
- Riporre il caricabatterie in luogo asciutto.
- Richiudere le celle della batteria con gli appositi tappi (se presenti).

## AVVIAMENTO

**Accertarsi prima di eseguire l'avviamento del veicolo, che la batteria sia ben collegata ai rispettivi morsetti (+ e -) e sia in buono stato (non solfatata e non guasta).**

**Non eseguire nel modo più assoluto avviamenti di veicoli con batterie scollegate dai rispettivi morsetti; la presenza della batteria è determinante per l'eliminazione di eventuali sovratensioni che si potrebbero generare per effetto dell'energia accumulata nei cavi di collegamento durante la fase di avviamento.**

Per l'avviamento disporre il commutatore (se presente) o il deviatore nella posizione di avviamento alla tensione in corrispondenza a quella del mezzo da avviare.


È indispensabile, prima di girare la chiave di avviamento, eseguire una carica rapida di 5-10 minuti, questo faciliterà moltissimo l'avviamento. **L'operazione di carica rapida deve essere rigorosamente eseguita con il caricabatterie in posizione di carica e NON di avviamento.**

L'avviamento avverrà premendo il pulsante del comando a distanza (solo per trifase).

La corrente erogata viene indicata dalla scala dell'ampmetro con portata maggiore.



### ATTENZIONE: Prima di procedere osservare attentamente le avvertenze dei costruttori di veicoli!

- Assicurarsi di proteggere la linea di alimentazione con fusibili o interruttori automatici del valore corrispondente indicato in targa con il simbolo ().
- Al fine di evitare surriscaldamenti del caricabatterie, eseguire l'operazione di avviamento rispettando RIGOROSAMENTE i cicli di lavoro/pausa indicati sull'apparecchio (esempio: START 3s ON 120s OFF-5 CYCLES). Non insistere oltre se il motore del veicolo non si avvia: si potrebbe, infatti, compromettere seriamente la batteria o addirittura l'equipaggiamento elettrico della vettura.

### 5. PROTEZIONI DEL CARICABATTERIE (FIG. D)

Il caricabatterie è munito di protezione che interviene in caso di:

- Sovraccarico (eccessiva erogazione di corrente verso la batteria).
- Cortocircuito (pinze di carica messe a contatto fra di loro).
- Inversione di polarità sui morsetti della batteria.
- Negli apparecchi muniti di fusibili è obbligatorio in caso di sostituzione, usare ricambi analoghi aventi lo stesso valore di corrente nominale.



**ATTENZIONE: Sostituire il fusibile con valori di corrente diversi da quelli indicati in targa potrebbe provocare danni a persone o cose. Per lo stesso motivo, evitare nel modo più assoluto la sostituzione del fusibile con ponti di rame o altro materiale.**

L'operazione di sostituzione del fusibile va sempre eseguita con il cavo di alimentazione STACCATO dalla rete.

### 6. CONSIGLI UTILI

- Pulire i morsetti positivo e negativo da possibili incrostazioni di ossido in modo da assicurare un buon contatto delle pinze.
- Evitare nel modo più assoluto di mettere in contatto le due pinze quando il caricabatterie è inserito in rete. In questo caso si ha la bruciatura del fusibile.
- Se la batteria con cui si intende usare questo caricabatterie è permanentemente inserita su un veicolo, consultare anche il manuale istruzioni e/o di manutenzione del veicolo alla voce "IMPIANTO ELETTRICO" o "MANUTENZIONE". Preferibilmente scollegare, prima di procedere alla carica, il cavo positivo facente parte dell'impianto elettrico del veicolo.
- Controllare la tensione della batteria prima di collegarla al caricabatterie, si ricorda che 3 tappi distingue una batteria a 6Volt, 6 tappi 12Volt. In alcuni casi ci possono essere due batterie da 12Volt in serie, in questo caso si richiede una tensione di 24Volt per caricare ambedue gli accumulatori. Assicurarsi che abbiano le stesse caratteristiche per evitare squilibrio nella carica.
- Prima di effettuare un avviamento eseguire una carica rapida della durata di qualche minuto: questo limiterà la corrente di avviamento, richiedendo anche meno corrente dalla rete. Ricordarsi che, accertarsi prima di eseguire l'avviamento del veicolo, che la batteria sia ben collegata ai rispettivi morsetti (+ e -) e sia in buono stato (non solfatata e non guasta).
- Non eseguire nel modo più assoluto avviamenti di veicoli con batterie scollegate dai rispettivi morsetti; la presenza della batteria è determinante per l'eliminazione di eventuali sovratensioni che si potrebbero generare per effetto dell'energia accumulata nei cavi di collegamento durante la fase di avviamento.
- Se l'avviamento non avviene, non insistere, ma attendere qualche minuto e ripetere l'operazione di carica rapida.
- Gli avviamenti vanno sempre eseguiti con batteria inserita, vedi paragrafo AVVIAMENTO.

(FR)

### MANUEL D'INSTRUCTIONS



**ATTENTION: LIRE ATTENTIVEMENT LE MANUEL D'INSTRUCTIONS AVANT TOUTE UTILISATION DU CHARGEUR DE BATTERIE !**

### 1. INSTRUCTIONS GÉNÉRALES DE SÉCURITÉ POUR L'UTILISATION DE CE CHARGEUR DE BATTERIE



- Les batteries dégagent des gaz explosifs durant la charge, éviter toute flamme ou étincelle, NE PAS FUMER.
- Positionner les batteries sous charge dans un endroit aéré.



- Fournir aux personnes dont l'expérience est insuffisante des informations adéquates avant toute utilisation de l'appareil.
- L'appareil peut être utilisé par des enfants d'un âge non inférieur à 8 ans et par des personnes ayant des capacités physiques, sensorielles ou mentales réduites, ou sans expérience ou connaissance nécessaire, à condition que ce soit sous surveillance ou après que ces mêmes personnes aient reçu des instructions concernant l'utilisation sûre de l'appareil et concernant la compréhension des dangers inhérents à celui-ci.
- Les enfants ne doivent pas jouer avec l'appareil.
- Le nettoyage et l'entretien destinés à être effectués par l'utilisateur ne doivent pas être effectués par des enfants sans surveillance.
- Utiliser exclusivement le chargeur de batterie dans des lieux fermés et s'assurer que les locaux sont correctement aérés durant l'opération, NE PAS EXPOSER L'APPAREIL À LA PLUIE OU À LA NEIGE.
- Débrancher le câble d'alimentation avant de connecter ou de déconnecter les câbles de charge de la batterie.
- Ne pas connecter ou déconnecter les pinces de la batterie quand le chargeur est en fonctionnement.
- N'utiliser sous aucun prétexte le chargeur de batterie à l'intérieur du véhicule ou dans le coffre.
- Remplacer exclusivement le câble d'alimentation par un câble original.
- Si le câble d'alimentation est endommagé, il doit être substitué par le constructeur ou par son service d'assistance technique ou, quoi qu'il en soit, par une personne ayant une qualification similaire, de façon à prévenir tout risque.
- Ne pas utiliser le chargeur de batterie pour recharger des batteries non rechargeables.
- Vérifier que la tension d'alimentation disponible correspond à celle indiquée sur la plaquette signalétique du chargeur de batterie.
- Pour ne pas endommager la partie électronique des véhicules, lire, conserver et respecter scrupuleusement les avertissements des constructeurs des véhicules, en cas d'utilisation du chargeur de batterie tant pour la recharge que pour le démarrage ces prescriptions s'appliquent également aux indications fournies par le constructeur des batteries.
- Ce chargeur de batterie comporte des parties, comme interrupteurs ou relais, risquant de provoquer des arcs électriques ou des étincelles par conséquent, en cas d'utilisation dans un garage ou un lieu du même type, placer le chargeur de batterie dans un local ou une protection adéquats.
- Les interventions de réparation ou d'entretien à l'intérieur du chargeur de batterie doivent exclusivement être effectuées par un personnel qualifié.
- **TOUJOURS DÉBRANCHER LE CORDON D'ALIMENTATION DE LA PRISE ÉLECTRIQUE AVANT TOUTE INTERVENTION SUR LE CHARGEUR DE BATTERIES.**
- Contrôler que la prise est équipée d'une protection de mise à la terre.
- Sur les modèles fournis sans fiches, installer des fiches correspondant à la valeur du fusible indiquée sur la plaque signalétique.

### 2. INTRODUCTION ET DESCRIPTION GÉNÉRALE

- Ce chargeur de batterie permet de recharger les batteries au plomb à électrolyte libre utilisées sur véhicules à moteur (essence et diesel), motocyclettes, embarcations, etc.
- Le courant de charge fournit par l'appareil décroît selon la courbe caractéristique W et est conforme à la norme DIN 41774.
- Le boîtier de l'appareil présente un degré de protection IP 20 et est

protégé contre les contacts indirects par un conducteur de terre, comme prescrit pour les appareils de classe I.

### 3. INSTALLATION

#### MISE EN PLACE (FIG. A)

- Déballer le chargeur de batterie et procéder au montage des différentes parties contenues dans l'emballage.
- Les modèles montés sur roues doivent être installés en position verticale.

#### LIEU D'INSTALLATION DU CHARGEUR DE BATTERIE

- Durant le fonctionnement, installer le chargeur de batterie en position stable et s'assurer de ne pas obstruer le passage de l'air à travers les ouvertures prévues afin de garantir une ventilation adéquate.

#### BRANCHEMENT À L'ALIMENTATION SECTEUR

- Le chargeur de batterie doit exclusivement être connecté à un système d'alimentation avec conducteur de neutre branché à la terre. Contrôler que la tension secteur correspond à la tension de fonctionnement.
- La ligne d'alimentation doit être équipée d'un système de protection comme fusibles ou interrupteurs automatiques en mesure de supporter l'absorption maximale de l'appareil.
- Le branchement au réseau secteur doit être effectué avec le câble prévu.
- Les rallonges éventuelles du câble d'alimentation doivent présenter une section adéquate, et dans tous les cas non inférieure à celle du câble fourni.
- Le branchement à la terre est indispensable et doit utiliser le conducteur de couleur jaune et vert du câble d'alimentation portant l'étiquette avec le symbole ( $\perp$ ), tandis que les deux autres conducteurs doivent être branchés au réseau secteur.
- Le changement de tension s'effectue au moyen de la plaquette de changement tension prévue pour y accéder (FIG. E).

### 4. FONCTIONNEMENT

#### PRÉPARATION POUR LA CHARGE

**NB: Avant de procéder à la charge, contrôler que la capacité des batteries (Ah) devant être soumises à la charge n'est pas inférieure à celle indiquée sur la plaque (C min).**

**Se conformer scrupuleusement à la séquence d'instructions ci-dessous.**

- Retirer les couvercles de la batterie (si prévus) pour permettre la sortie des gaz se dégageant durant la charge.
- Contrôler que le niveau de l'électrolyte recouvre les plaques des batteries si ces dernières sont à découvert, ajouter de l'eau distillée jusqu'à les recouvrir de 5-10mm.



**ATTENTION: EFFECTUER CETTE OPÉRATION AVEC UNE ATTENTION EXTRÊME, L'ÉLECTROLYTE ÉTANT UN ACIDE HAUTEMENT CORROSIF.**

- Ne pas oublier que l'état de charge exact des batteries peut être déterminé uniquement au moyen d'un densimètre, appareil permettant de mesurer la densité spécifique de l'électrolyte à titre indicatif, on trouvera ci-dessous les valeurs de densité de soluté (Kg/l à 20°C):

1,28 = batterie chargée

1,21 = batterie semi-chargée

1,14 = batterie déchargée

- Avec le câble d'alimentation débranché de la prise secteur, connecter les bornes de charge en fonction de la tension nominale de la batterie à charger, placer le commutateur en position de charge et activer le temporisateur en position de charge normale.
- Contrôler la polarité des bornes de la batterie: symbole positif + et symbole négatif -.

REMARQUE: en cas d'impossibilité de distinguer les symboles, la borne positive est celle non branchée au châssis de la machine.

- Connecter la pince de charge de couleur rouge à la borne positive de la batterie (symbole +).
- Connecter la pince de charge de couleur noire au châssis de la machine, loin de la batterie et de la conduite du carburant.

REMARQUE: si la batterie n'est pas installée sur la machine, se brancher directement à la borne négative de la batterie (symbole -).

#### CHARGE

- Alimenter le chargeur de batterie en insérant le câble d'alimentation dans la prise secteur et placer l'interrupteur sur ON (si prévu).
- L'ampèremètre (si prévu) indique le courant (exprimé en ampères) de charge de la batterie: durant cette phase, l'indication de l'ampèremètre

diminue lentement jusqu'à atteindre des valeurs très basses en fonction de la capacité et des conditions de la batterie.

FIG. B

**REMARQUE:** Quand la batterie est chargée, il se produit un début "d'ébullition" du liquide contenu dans la batterie. Il est conseillé d'interrompre la charge au début de ce phénomène afin d'éviter tout endommagement de la batterie.

Au moyen du commutateur, sélectionner le courant de charge en fonction du type d'accumulateur et de son état de charge, valeur signalée par l'ampèremètre, échelle avec la valeur la plus basse.

Ne pas oublier qu'une charge lente garantit une longévité accrue de la batterie, car le réchauffement moindre évite toute oxydation des plaques et toute ébullition de l'électrolyte.

La valeur idéale du courant est égale à 1/10 de la portée en ampères/heure de la batterie. Par ex., pour une batterie de 40 ampères, la valeur idéale de charge est de 4 ampères.

#### Charge simultanée de plusieurs batteries

Effectuer ce type d'opération avec la plus grande attention: ATTENTION ne pas charger de batteries présentant des différences de capacité, niveau de charge et typologie.

Pour charger simultanément plusieurs batteries, il est possible d'utiliser des connexions "en série" ou "en parallèle". Entre les deux systèmes, la connexion en série est conseillée car elle permet de contrôler le courant circulant dans chaque batterie, lequel sera analogue à celui indiqué par l'ampèremètre.

**REMARQUE:** En cas de connexion en série de deux batteries d'une tension nominale de 12V, placer OBLIGATOIREMENT le chargeur en position 24V.

FIG. C

#### FIN DE CHARGE

- Couper l'alimentation au chargeur de batterie en plaçant l'interrupteur sur OFF (si prévu) et en débranchant le câble d'alimentation de la prise secteur.
- Débrancher la pince de charge de couleur noire du châssis de la voiture ou de la borne négative de la batterie (symbole -).
- Débrancher la pince de charge de couleur rouge de la borne positive de la batterie (symbole +).
- Ranger le chargeur de batteries dans un endroit sec.
- Refermer les éléments de la batterie à l'aide des bouchons (si prévus).

#### DÉMARRAGE

**Avant d'effectuer le démarrage du véhicule, s'assurer que la batterie est bien branchée aux bornes respectives (+ et -) et est en bon état (non sulfatée et non en avarie).**

**N'exécutez sous aucun prétexte de démarrages de véhicules avec batteries débranchées des bornes respectives; la présence de la batterie est déterminante pour l'élimination d'éventuels survoltages qui pourraient être générés par effet de l'énergie accumulée dans les câbles de branchement durant la phase de démarrage.**

Pour le démarrage, disposer le commutateur (s'il est présent) ou le déviateur dans la position de démarrage à la tension correspondant à celle de l'engin à démarrer.

Il est indispensable, avant de tourner la clé de démarrage, d'exécuter une charge rapide de 5-10 minutes, ceci facilitera énormément le démarrage. **L'opération de chargement rapide doit être rigoureusement exécutée avec le chargeur de batteries en position de charge et NON de démarrage.**

Le démarrage s'effectuera en appuyant sur le poussoir de la commande à distance (seulement pour triphasés).

Le courant distribué est indiqué par la règlette de l'ampèremètre avec capacité supérieure.



**ATTENTION: Avant de procéder, observer attentivement les conseils des constructeurs de véhicules!**

- S'assurer de protéger la ligne d'alimentation avec des fusibles ou des interrupteurs automatiques ayant une valeur qui correspond et qui est indiquée sur la plaquette par le symbole ( $\text{---}$ ).
- Afin d'éviter des surchauffes du chargeur de batteries, exécuter l'opération de démarrage en respectant RIGOREUSEMENT les cycles de travail/pause indiqués sur l'appareil (exemple: START 3s ON 120s OFF-5 CYCLES). Ne pas insister si le moteur du véhicule ne démarre pas: on pourrait en effet compromettre sérieusement la batterie ou même l'équipement électrique de la voiture.

## 5. PROTECTIONS DU CHARGEUR DE BATTERIES (FIG. D)

Le chargeur de batterie est équipé d'une protection intervenant dans les cas suivants:

- Surcharge (distribution excessive de courant vers la batterie).
- Court-circuit (mise en contact des pinces de charge).
- Inversion de polarité sur les bornes de la batterie.
- Sur les appareils munis de fusibles, remplacer obligatoirement ces derniers par des fusibles de rechange ayant la même valeur de courant nominal.



**ATTENTION: le fait de remplacer le fusible par un autre de valeurs différentes de celles indiquées sur la plaque comporte des risques pour les personnes ou les appareils. Pour la même raison, ne remplacer en aucun cas le fusible par des shunts en fil de cuivre ou autre matériau.**

**L'opération de remplacement du fusible doit être effectuée avec le câble d'alimentation DÉBRANCHÉ.**

## 6. CONSEILS UTILES

- Nettoyer les bornes positives et négatives des oxydations éventuelles de façon à garantir un contact parfait des pinces.
- Éviter absolument de mettre les deux pinces en contact quand le chargeur de batterie est branché. Risque de grillage du fusible.
- Si la batterie avec laquelle doit être utilisé ce chargeur de batterie est insérée de façon permanente sur un véhicule, se reporter également au manuel d'instructions et d'entretien du véhicule au chapitre "INSTALLATION ÉLECTRIQUE" ou "ENTRETIEN". Avant de procéder à la charge, déconnecter si possible le câble positif faisant partie de l'installation électrique du véhicule.
- Contrôler la tension de la batterie avant de la brancher au chargeur de batterie, sans oublier que 3 bouchons indiquent une batterie de 6 volts, et 6 bouchons une batterie de 12 volts. Dans certains cas, deux batteries de 12 volts en série sont prévues. Dans ce cas, une tension de 24 volts est nécessaire pour charger les deux accumulateurs. Contrôler que ces derniers possèdent les mêmes caractéristiques pour éviter tout déséquilibre de la charge.
- Avant d'effectuer un démarrage, exécuter une charge rapide d'une durée de quelques minutes: ceci limitera le courant de démarrage, demandant aussi moins de courant au réseau. Avant d'exécuter le démarrage du véhicule, vérifier que la batterie est bien branchée aux bornes respectives (+ et -) et est en bon état (non sulfatée et non en avarie).

N'exécutez sous aucun prétexte de démarrages de véhicules avec les batteries débranchées des bornes respectives; la présence de la batterie est déterminante pour l'élimination d'éventuels survoltages qui pourraient être générés par effet de l'énergie accumulée dans les câbles de branchement durant la phase de démarrage.

- Si le démarrage n'a pas lieu, ne pas insister, mais attendre quelques minutes et répéter l'opération de charge rapide.
- Les démarrages doivent toujours être exécutés avec batterie insérée, voir paragraphe DÉMARRAGE.

(ES)

## MANUAL DE INSTRUCCIONES



**ATENCIÓN: ANTES DE UTILIZAR EL CARGADOR DE BATERÍAS LEER ATENTAMENTE EL MANUAL DE INSTRUCCIONES.**

## 1. SEGURIDAD GENERAL PARA EL USO DE ESTE CARGADOR DE BATERÍAS



- Durante la carga, las baterías emanan gases explosivos, evitar que se formen llamas o chispas. NO FUMAR.
- Colocar las baterías en carga en un lugar aireado.



- **Las personas sin experiencia deben recibir la formación adecuada antes de utilizar el aparato.**
- **El aparato puede ser utilizado por niños de más de 8 años y por personas con capacidades físicas, sensoriales o mentales reducidas, sin experiencia o sin los conocimientos necesarios siempre que estén bajo vigilancia o que hayan recibido instrucciones sobre un uso seguro del aparato y comprendan los peligros inherentes al mismo.**
- **Los niños no deben jugar con el aparato.**
- **La limpieza y el mantenimiento destinados a ser realizados por el usuario no deben ser llevados a cabo por niños sin vigilancia.**
- Utilizar el cargador de baterías exclusivamente en interiores y asegurarse de trabajar en lugares bien aireados: NO EXPONER A LLUVIA O NIEVE.
- Desenchufar el cable de alimentación de la red antes de conectar o desconectar los cables de carga de la batería.
- No conectar o desconectar las pinzas a la batería cuando el cargador esté en funcionamiento.
- No utilizar el cargador de baterías por ningún motivo en el interior de un coche o en el capó.
- Sustituir el cable de alimentación sólo con un cable original.
- Si se ha dañado el cable de alimentación, debe ser sustituido por el fabricante o por su servicio de asistencia técnica o en cualquier caso por una persona con una cualificación similar, para evitar cualquier riesgo.
- No utilizar al cargador de baterías para recargar baterías no recargables.
- Controlar que la tensión de alimentación disponible corresponda con la indicada en la chapa de datos del cargador de baterías.
- Para no dañar la electrónica de los vehículos, leer, conservar, respetar escrupulosamente las advertencias de los fabricantes de los mismos vehículos, cuando se utilice el cargador de baterías tanto en carga como en arranque; lo mismo vale para las indicaciones ofrecidas por el fabricante de las baterías.
- Este cargador de baterías tiene interruptores o relés que pueden provocar arcos o chispas; por lo tanto, si se usa en un garaje o en ambiente similar, deberemos colocarlo en un local o en una parte protegida adecuados para ello.
- Las intervenciones de reparación o mantenimiento en el interior del cargador de baterías deben ser efectuadas sólo por profesionales.
- **DESCONECTAR SIEMPRE EL CABLE DE ALIMENTACIÓN DE LA RED ANTES DE EFECTUAR CUALQUIER INTERVENCIÓN DE MANTENIMIENTO EN EL CARGADOR DE BATERÍAS.**
- Controlar que la toma esté provista de conexión de tierra de protección.
- En los modelos que no la tienen, conectar enchufes con una capacidad apropiada al valor del fusible indicado en la chapa.

## 2. INTRODUCCIÓN Y DESCRIPCIÓN GENERAL

- Este cargador de baterías permite la carga de baterías de plomo con electrolito libre utilizado sobre vehículos a motor (gasolina o diesel), motocicletas, embarcaciones, etc
- La corriente de carga suministrada por el aparato decrece según la curva característica W y es conforme a la norma DIN 41774.
- El contenedor, en el que está instalado, posee un grado de protección IP 20 y está protegido de contactos indirectos, a través de un conductor de tierra, como es norma para los aparatos de clase I.



### 3. INSTALACIÓN

#### PREPARACIÓN (FIG. A)

- Desembalar el cargador de baterías, efectuar el montaje de las partes que están separadas, contenidas en el embalaje.
- Los modelos con carro deben ser instalados en posición vertical.

#### UBICACIÓN DEL CARGADOR DE BATERÍAS

- Durante el funcionamiento colocar de manera estable el cargador de baterías y asegurarse de que no se obstruye el paso del aire con las relativas aperturas, garantizando una ventilación suficiente.

#### CONEXIÓN A LA RED

- El cargador de baterías debe conectarse exclusivamente a un sistema de alimentación con conductor de neutro conectado a tierra. Controlar que la tensión de la red sea equivalente a la tensión de funcionamiento.
- La línea de alimentación deberá poseer sistemas de protección, tales como fusibles o interruptores automáticos, suficientes para soportar la absorción máxima del aparato.
- La conexión con la red debe efectuarse mediante el cable especial.
- Las eventuales prolongaciones del cable de alimentación tienen que tener una sección adecuada y en cualquier caso nunca inferior a la del cable suministrado con el aparato.
- Siempre hay que conectar a tierra el aparato, utilizando el conductor de color amarillo-verde del cable de alimentación, marcado con la etiqueta (⊕), mientras que los otros dos conductores deberán conectarse con la red de tensión.
- El cambio de tensión se produce a través del interruptor para el cambio de tensiones (FIG. E).

### 4. FUNCIONAMIENTO

#### PREPARACIÓN PARA LA CARGA

**Nota importante: Antes de proceder a la carga, comprobar que la capacidad de la batería en (Ah) que se va a someter a carga no sea inferior a aquella indicada en la tarjeta (C min.)**

**Seguir las instrucciones respetando escrupulosamente el orden que a continuación se indica.**

- Quitar las tapas de la batería, si las lleva, de manera que puedan salir los gases que producen durante la carga.
- Controlar que el nivel del electrolito recubra las placas de las baterías; si éstas quedasen al descubierto, añadir agua destilada hasta sumergirlas unos 5/10 mm.



**ATENCIÓN: TENER EL MÁXIMO CUIDADO DURANTE ESTA OPERACIÓN YA QUE EL ELECTROLITO ES UN ÁCIDO ALTAMENTE CORROSIVO.**

- Recordar que el estado exacto de carga de las baterías puede ser determinado sólo utilizando un densímetro, que permite medir la densidad específica del electrolito. indicativamente son válidos los siguientes valores de densidad (Kg/l a 20°C):  
1,28 = batería cargada  
1,21 = batería semicargada  
1,14 = batería descargada
- Con el cable de alimentación desconectado de la toma de red conectar los terminales de carga en función de la tensión nominal de la batería a cargar, poner el conmutador en posición de carga y conectar el temporizador en la posición de carga normal.
- Comprobar la polaridad de los terminales de la batería: positivo el símbolo + y negativo el símbolo -.  
NOTA: si los símbolos no se pueden distinguir se recuerda que el terminal positivo es el que no está conectado al chasis del coche.
- Conectar la pinza de carga de color rojo al terminal positivo de la batería (símbolo +).
- Conectar la pinza de carga de color negro al chasis del coche, lejos de la batería y del conducto del carburante.  
NOTA: si la batería no está instalada en el coche, conectarse directamente al terminal negativo de la batería (símbolo -).

#### CARGA

- Alimentar el cargador de baterías introduciendo el cable de alimentación en la toma de red y poniendo el ON el interruptor (si está presente).
- El amperímetro (si está presente) indicará la corriente (en amperios) de carga de la batería. Durante esta fase se observará que la indicación del amperímetro disminuirá lentamente hasta acercarse a valores muy bajos en función de la capacidad y de las condiciones de la batería.

Fig. B

**NOTA:** Cuando la batería está cargada, se podrá además notar un principio de "ebullición" del líquido contenido en ella. Se aconseja interrumpir la carga al comienzo de este fenómeno para evitar oxidaciones de la plancha y conservar en buen estado la batería.

Elegir, a través del conmutador, el valor de la corriente de carga en base al tipo de acumulador y a su estado de carga; dicho valor se señala con el amperímetro, escala con valor más bajo.

Se recuerda que una carga lenta es garantía de una mayor duración de la batería, puesto que la recalcita menos, evitando así la oxidación de las placas y la ebullición del electrolito.

El valor ideal de la corriente es de 1/10 de la capacidad en amperios/hora de la batería. Por ejemplo, para una batería de 40 amperios, el valor ideal de carga es de 4 amperios.

#### Carga simultánea de varias baterías

Esta operación debe efectuarse con mucho cuidado: ATENCIÓN: no cargar nunca baterías de capacidad, descarga y tipología diferentes entre ellas.

Si se deben cargar varias baterías simultáneamente, se puede recurrir a conexiones en "serie" o en "paralelo". Entre estos dos sistemas es aconsejable la conexión en serie cuando de esta manera se puede controlar la corriente que circula en cada una de las baterías, la cual ha de ser análoga a la que señala el amperímetro.

**NOTA:** En el caso de conexión en serie de dos baterías que tengan tensión nominal de 12V, se DEBE preparar el cargador de baterías en posición 24V.

FIG.C

#### FIN DE CARGA

- Quitar la alimentación al cargador de baterías poniendo en OFF el interruptor (si está presente) y/o quitando el cable de alimentación de la toma de red.
- Desconectar la pinza de carga de color negro del chasis del coche o del terminal negativo de la batería (símbolo -).
- Desconectar la pinza de carga de color rojo del terminal positivo de la batería (símbolo +).
- Volver a poner el cargador de baterías en un lugar seco.
- Volver a cerrar las celdas de la batería con los relativos tapones (si están presentes).

#### ARRANQUE

**Asegurarse antes de efectuar el arranque del vehículo, que la batería esté bien conectada a los respectivos bornes (+ y -) y que esté en buen estado (no sulfatada y no averiada).**

**No efectuar por ningún motivo arranques en vehículos con baterías desconectadas de los respectivos bornes; la presencia de la batería es determinante para la eliminación de eventuales subidas de tensión que se podrían generar por efecto de la energía acumulada en los cables de conexión durante la fase de arranque.**

Para el arranque poner el conmutador (si está presente) o el desviador en la posición de arranque a la tensión que corresponda con la del medio que se debe arrancar.

Es indispensable, antes de girar la llave de arranque, efectuar una carga rápida de 5-10 minutos, esto facilitará muchísimo el arranque. **La operación de carga rápida debe efectuarse rigurosamente con el cargador de baterías en posición de carga y NO de arranque.**

El arranque se producirá pulsando el pulsador del mando a distancia (sólo para trifásico).

La corriente distribuida se indica en la escala del amperímetro con una capacidad mayor.



**ATENCIÓN: ¡Antes de seguir adelante, leer cuidadosamente las advertencias del fabricante de vehículos!**

- Asegurarse de proteger la línea de alimentación con fusibles o interruptores automáticos con un valor correspondiente al indicado en la chapa con el símbolo (—=—).
- Para evitar sobrecalentamientos del cargador de baterías, efectuar la operación de arranque respetando RIGUROSAMENTE los ciclos de trabajo/pausa indicados en el aparato (ejemplo: INICIO 3s ON 120s OFF-5 CICLOS). No insistir más si el motor del vehículo no se pone en marcha: se podría dañar seriamente la batería o incluso el equipo eléctrico del coche.

#### 5. PROTECCIONES DEL CARGABATERÍAS (FIG.D)

El cargador de baterías está provisto de protecciones que intervienen en caso de:

- Sobrecarga (excesiva corriente hacia la batería).
- Cortocircuito (pinzas de carga en contacto entre ellas).

- Inversión de polaridad en los terminales de la batería.
- En los aparatos provistos de fusibles es obligatorio, en caso de sustitución, utilizar recambios iguales, que tengan el mismo valor de corriente nominal.



**ATENCIÓN:** Sustituir el fusible con valor de corriente diferente a los indicados en la placa, podría provocar daños a personas o cosas. Por el mismo motivo, evitar absolutamente la sustitución del fusible por puentes de cobre u otro material.

La sustitución del fusible ha de hacerse siempre con el cable de alimentación **DESENCHUFADO** de la red.

## 6. CONSEJOS ÚTILES

- Limpiar los terminales positivo y negativo de posibles incrustaciones de óxido, de manera que se asegure un buen contacto de las pinzas.
- Evitar absolutamente poner en contacto las dos pinzas, cuando el cargador de baterías esté conectado a la red. De esta manera se quemará el fusible.
- Si la batería con la cual se quiere utilizar este cargador de baterías está permanentemente colocada en un vehículo, consultar también en el manual de instrucciones o de mantenimiento del vehículo el capítulo "INSTALACIÓN ELÉCTRICA" o "MANTENIMIENTO". Es mejor separar, antes de pasar a la carga, el cable positivo de la instalación eléctrica del vehículo.
- Controlar la tensión de la batería antes de conectarla al cargador de baterías, se recuerda que tres tapones distinguen a una batería de 6 V, 6 tapones a una de 12 V. En algunos casos puede haber dos baterías de 12 voltios en serie, en este caso es necesaria una tensión de 24 voltios para cargar los dos acumuladores. Asegurarse de que tengan las mismas características para evitar un desequilibrio en la carga.
- Antes de realizar un arranque, efectuar una carga rápida, de algunos minutos de duración; esto limitará la corriente de arranque, exigiendo al mismo tiempo menos corriente a la red. Recuerde que es necesario asegurarse antes de efectuar el arranque del vehículo, que la batería esté bien conectada a los respectivos bornes (+ y -) y que esté en buen estado (no sulfatada ni averiada).  
No efectuar por ningún motivo arranques en vehículos con baterías desconectadas de los respectivos bornes; la presencia de la batería es determinante para la eliminación de eventuales subidas de tensión que se podrían generar por efecto de la energía acumulada en los cables de conexión durante la fase de arranque.
- Si no se produce la puesta en marcha, no insistir, sino esperar algunos minutos y repetir la operación de carga rápida.
- Los arranques deben efectuarse siempre con la batería conectada, véase párrafo ARRANQUE.

(DE)

## BEDIENUNGSANLEITUNG



**ACHTUNG: VOR DER BENUTZUNG DES LADEGERÄTES LESEN SIE BITTE AUFMERKSAM DIE BETRIEBSANLEITUNG!**

### 1. ALLGEMEINE SICHERHEITSVORSCHRIFTEN FÜR DIE NUTZUNG DIESES LADEGERÄTES



- Während des Ladens entweichen aus der Batterie Explosivgase, vermeiden Sie daher offene Flammen oder Funkenflug. **NICHT RAUCHEN.**
- Stellen Sie die Batterien während des Ladevorganges an einen gut belüfteten Ort.



- **Unerfahrene Personen müssen vor dem Gebrauch des Gerätes in angemessener Weise unterwiesen werden.**
- **Das Gerät darf von Kindern ab 8 Jahren und von Personen mit eingeschränkten körperlichen, sensorischen oder mentalen Fähigkeiten bzw. ohne Erfahrung oder der notwendigen Kenntnis verwendet werden, wenn vorausgesetzt ist, dass dies unter Aufsicht erfolgt oder nachdem sie entsprechende Anweisungen für den sicheren Gebrauch des Geräts erhalten und die Gefahren, die mit ihm einhergehen, verstanden haben.**
- **Kindern ist das Spielen mit dem Gerät untersagt.**
- **Die Reinigung und die Wartung, die dem Anwender obliegen, dürfen von Kindern nur unter Aufsicht durchgeführt werden.**
- Verwenden Sie das Gerät nur in geschlossenen Räumen und sorgen Sie für gut gelüftete Arbeitsplätze. **NICHT DEM REGEN ODER SCHNEE AUSSETZEN.**
- Ziehen Sie das Netzkabel aus der Steckdose, bevor Sie die Ladungskabel der Batterie anschliessen oder ausstecken.
- Nicht die Zangen an die Batterie einstecken oder ausstecken bei funktionierendem Ladegerät.
- Auf keinen Fall soll das Gerät im Inneren des Autos oder der Motorhaube benutzt werden.
- Ersetzen Sie das Netzkabel nur durch ein Originalkabel.
- Sollte das Versorgungskabel beschädigt sein, muss dieses durch den Hersteller oder den technischen Kundendienst bzw. durch eine hierfür qualifizierte Person ausgetauscht werden, um jedem Risiko entgegenzuwirken.
- Verwenden Sie das Ladegerät nicht für die Ladung von Batterien, die nicht nachgeladen werden können.
- Prüfen Sie, ob die verfügbare Versorgungsspannung der Angabe auf dem Datenschild des Ladegerätes entspricht.
- Um die Fahrzeugelektronik nicht zu beschädigen, lesen Sie die Betriebsanleitungen des Fahrzeugherstellers durch, bewahren sie auf und beachten sie strikt, wenn das Ladegerät zum Laden oder Starten benutzt wird. Das Gleiche gilt für die Anleitungen des Batterieherstellers.
- Dieses Ladegerät enthält Teile wie z. B. einen Abschalter oder ein Relais, die Funken oder Lichtbögen erzeugen können. Deswegen sollte das Gerät, wenn es in einer Garage oder an einem ähnlichen Ort verwendet wird, an einer geschützten Stelle unter Aufsicht in Betrieb genommen werden.
- Reparatur- oder Instandhaltungsarbeiten im Inneren des Gerätes dürfen nur von geschultem Personal vorgenommen werden.
- **Das Versorgungskabel immer vom Netz nehmen bevor irgendeine Art von Wartung am Batterie-Ladegerät durchgeführt wird.**
- Kontrollieren Sie, daß die Steckdose eine Verbindung zur Schutzerde hat.
- Bei den Modellen ohne diese Verbindung sind Stecker anzuschließen, deren Stromfestigkeit dem Wert der im Schild genannten Sicherung entspricht.

### 2. EINFÜHRUNG UND ALLGEMEINE BESCHREIBUNG

- Dieses Ladegerät gestattet das Laden von Bleibatterien mit freiem Elektrolyt, die auf Motorfahrzeugen (Benzin und Diesel), Motorrädern, Booten etc. benutzt werden.
- Der vom Gerät erzeugte Ladestrom nimmt gemäss der

charakteristischen W-Kurve ab und stimmt mit der DIN 41774 Norm überein.

- Das Gehäuse, in welches das Gerät eingebaut ist, besitzt den Schutzgrad IP 20 und wird durch Erdung, die für Geräte der Klasse I vorgeschrieben ist, vor indirektem Kontakt geschützt.

### 3. INSTALLATION

#### EINRICHTEN (ABB. A)

- Packen Sie das Ladegerät aus und montieren Sie die losen Teile, die in der Verpackung enthalten sind.
- Die verfahrenbaren Modelle müssen in senkrechter Lage installiert werden.

#### LAGE DES LADEGERÄTES

- Während des Betriebes positionieren Sie das Ladegerät in einer stabilen Lage und stellen Sie sicher, daß die Luftwege durch die entsprechenden Öffnungen nicht verstopft ist, damit eine ausreichende Luftzufuhr sichergestellt ist.

#### NETZANSCHLUSS

- Das Batterieladegerät darf ausschließlich an ein Versorgungsnetz mit geerdetem Nullleiter angeschlossen werden.
- Überprüfen Sie, ob die Netzspannung gleich der Betriebsspannung ist.
- Die Netzleitung muß mit Schutzvorrichtungen wie Sicherungen oder automatische Schaltern ausgestattet sein, welche die Höchstaufnahme des Gerätes aushalten.
- Der Netzanschluß muß mit dem passenden Kabel vorgenommen werden.
- Verlängerungen des Anschlußkabels müssen einen passenden Querschnitt haben, auf keinen Fall dürfen sie aber einen Querschnitt haben, der geringer ist als der des beiliegenden Kabels.
- Wichtig ist, daß die Erdung des Geräts durch den gelb/grünen, mit dem Symbol (⊕) gekennzeichneten Leiter des Anschlußkabels durchgeführt wird, während die anderen beiden Leiter an das Spannungsnetz anzuschließen sind.
- Der Spannungswechsel erfolgt mit Hilfe des Klemmbrettes, das Sie erreichen können (FIG. E).

### 4. BETRIEB

#### VORBEREITUNG AUF DAS LADEN

**Bevor Sie zum Laden übergehen, überprüfen Sie, ob die Kapazität der Batterie (Ah) nicht unter den Werten liegt, die auf dem Typenschild (Cmin) angegeben sind.**

**Folgen Sie strikt der Reihenfolge der untenstehenden Anweisung.**

- Nehmen Sie die Deckel der Batterie ab, wenn vorgesehen, damit die Gase, die während des Ladens entstehen, entweichen können.
- Kontrollieren Sie, ob die Elektrolytflüssigkeit die Batterieplatten bedeckt; Falls diese freiliegen sollten, geben Sie etwas destilliertes Wasser nach, bis sie 5-10 mm. untergetaucht sind.



**ACHTUNG: BEI DIESER ARBEIT IST ÄUSSERSTE VORSICHT ANGEBRACHT, DA ES SICH BEI DER ELEKTROLYTFLÜSSIGKEIT UM EINE ÄTZENDE SÄURE HANDELT.**

- Wir weisen darauf hin, dass der genaue Ladezustand nur mit einem Dichtigkeitsmesser, der die spezifische Dichte der Elektrolytflüssigkeit mißt, bestimmt werden kann.

Es gelten annähernd folgende Dichtigkeitswerte (kg/l bei 20 °C)

- 1.28 = Geladene Batterie
- 1.21 = Halb geladene Batterie
- 1.14 = Entladene Batterie

- Bei abgezogenem Netzkabel die Ladeklemmen entsprechend der Nennspannung anschließen, die die zu ladende Batterie hat. Den Umschalter in Ladestellung setzen und den Zeitschalter in die Stellung für den normalen Ladevorgang einstellen.
- Prüfen Sie die Polarität der Batterieklammern: Das Symbol + steht für positive, das Symbol - für negative Polung.  
ANMERKUNG: Wenn man die Symbole nicht erkennen kann, behelfen Sie sich mit dem Gedanken, daß die Plusklemme nicht mit dem Fahrzeuggestell verbunden wird.
- Verbinden Sie die rote Ladeklemme mit dem Pluspol der Batterie (Zeichen +).
- Verbinden Sie die schwarze Ladeklemme mit dem Fahrzeuggestell, möglichst weit von der Batterie und der Treibstoffleitung entfernt.  
ANMERKUNG: Wenn die Batterie sich nicht im Fahrzeug befindet, schließen Sie die schwarze Klemme direkt an den Minuspol der Batterie an (Zeichen -).

#### LADEN

- Das Batterieladegerät durch Einführen des Versorgungskabels in die

Netzdose speisen und den Schalter auf ON stellen (falls vorhanden).

- Das Amperemeter gibt, falls das Gerät damit ausgestattet ist, den Batterieladestrom (in Ampere) an. Während des Ladens kann man beobachten, dass die Anzeige des Amperemeters langsam hinuntergeht, bis Sie schliesslich je nach Kapazität und Batteriezustand sehr geringe Werte erreicht.

#### ABB. B

**ANMERKUNG:** Wenn die Batterie sich auflädt, ist unter Umständen zu beobachten, daß die Batterieflüssigkeit zu kochen beginnt. Wir empfehlen, diesen Vorgang schon zu Beginn des Ladevorganges zu unterbrechen, um Schäden an der Batterie zu verhindern.

Den Wert der Ladungsspannung mit dem Umschalter an den Typ des Akkumulators und dessen Ladezustand anpassen. Dieser Wert wird vom Amperemeter auf der Skala mit niedrigerem Wert angezeigt.

Es wird daran erinnert, daß eine langsame Ladung ein längeres Leben der Batterie sichert, weil sie weniger aufgeheizt wird, Plattenoxydation und das Aufkochen des Elektrolytes werden vermieden.

Der optimale Spannungswert beträgt 1/10 der Amperestunden-Leistung der Batterie. Für eine 40-Ampere-Batterie etwa beträgt der ideale Ladungswert 4 Ampere.

#### SIMULTANES LADEN VON MEHREREN BATTERIEN.

Dieser Eingriff muss mit grosser Vorsicht ausgeführt werden: ACHTUNG, keine Batterien laden, deren Leistungen, Entladezustände oder Typen verschieden sind.

Beim Laden von mehreren Batterien kann die «Serien-» oder «Parallelschaltung» genutzt werden. Das empfehlenswerte System ist der «Serienanschluß», weil sich auf diese Weise der zirkulierende Strom jeder Batterie kontrollieren läßt. Angezeigt wird er auf dem Amperemeter.

**ANMERKUNG:** Werden zwei Batterien mit einer Nennspannung von 12 V in Reihe geschaltet, MUSS das Batterieladegerät in die Stellung 24V gesetzt werden.

#### ABB. C

#### ENDE DES LADEVORGANGES

- Positionieren Sie den Schalter (falls vorhanden) auf OFF oder ziehen Sie das Stromkabel aus der Netzdose. So wird die Stromversorgung unterbrochen.
- Lösen Sie die schwarze Ladeklemme vom Fahrzeuggestell oder dem Minuspol der Batterie (Zeichen -).
- Lösen Sie die rote Ladeklemme vom Pluspol der Batterie (Zeichen +).
- Stellen Sie das Ladegerät an einem trockenen Ort ab.
- Verschließen Sie die Batteriezellen wieder mit den entsprechenden Stopfen (falls vorhanden).

#### ANLASSEN

**Vor dem Anlassen des Fahrzeugs ist sicherzustellen, dass die Batterie einwandfrei mit den zugehörigen Klemmen (+ und -) verbunden und in gutem Zustand, also nicht sulfatiert oder defekt ist.**

**Unter keinen Umständen darf das Fahrzeug angelassen werden, wenn die Batterie von den zugehörigen Klemmen getrennt ist; die Batterie ist entscheidend für die Dämpfung von Spannungsspitzen, die von jener Energie ausgehen, die sich während der Startphase in den Verbindungskabeln ansammelt.**

Zum Anlassen den Drehschalter (falls vorhanden) oder den Umschalter in die Anstellungsstellung mit jener Spannung führen, die der Startvorgang des Fahrzeuges entspricht.

Dem Umdrehen des Zündschlüssels muss unbedingt ein Schnellladevorgang von 5-10 Minuten vorangehen; so wird der Start wesentlich erleichtert. **Beim Schnellladevorgang muss sich das Ladegerät zwingend in der Ladestellung befinden, und NICHT in der Anlasstellung.**

Der Start erfolgt bei Betätigung des Knopfes auf der Fernbedienung (nur bei drei Phasen).

Der gespendete Strom wird von der Skala des Amperemeters mit den größeren Werten angezeigt.



**ACHTUNG: Bevor fortgefahren wird, sind die Hinweise der Fahrzeughersteller genau zu studieren!**

- Stellen Sie sicher, dass die Speiseleitung mit Schmelzsicherungen oder Leistungsschaltern geschützt ist, deren Wert der Angabe auf dem Typenschild unter dem Symbol (⚡) entspricht.
- Um die Überhitzung des Ladegerätes zu verhindern, müssen beim Startvorgang die auf dem Gerät angegebenen Betriebs- und

Паузы циклы ГЕНАУ eingehalten werden (Beispiel: START 3s ON 120s OFF-5 CYCLES). Dehnen Sie den Startversuch nicht zu lange aus, wenn der Fahrzeugmotor nicht startet: Dadurch können nämlich die Batterie oder sogar die Fahrzeugelektrik ernsthaften Schaden erleiden.

(RU)

## РУКОВОДСТВО ПОЛЬЗОВАТЕЛЯ



**ВНИМАНИЕ: ПЕРЕД ИСПОЛЬЗОВАНИЕМ ЗАРЯДНОГО УСТРОЙСТВА АККУМУЛЯТОРНОЙ БАТАРЕИ ВНИМАТЕЛЬНО ПРОЧИТАЙТЕ РАБОЧЕЕ РУКОВОДСТВО!**

### 5. ШУТЗЭЙНРИХТУНГЕН ДЕС БАТТЕРИЕЛАДЕГЕРАТЭС (АВВ. D)

Das Ladegerät verfügt über Schutzzeirrichtungen, die in folgenden Fällen einschreiten:

- Überladung (zuviel Strom wird auf die Batterie übertragen).
- Kurzschluss (Ladeklemmen haben Kontakt untereinander).
- Falschpolung der Batterieklammern.
- Bei Geräten, die mit Sicherungen ausgestattet sind, ist es unbedingt notwendig, dass beim Austausch Ersatzteile mit gleichem nominalen Stromwert verwendet werden.



**ACHTUNG: Wenn Sicherungen mit anderen als auf dem Typenschild angegebenen Werten verwendet werden, können Personen- und Sachschäden entstehen. Aus dem gleichen Grund ersetzen Sie auf keinem Fall Sicherungen durch Kupferbrücken oder anderes Material.**

**Sicherungswechsel nur vornehmen, wenn das Versorgungskabel vom Netz GETRENNT ist.**

### 6. NÜTZLICHE HINWEISE

- Säubern Sie die Plus- und Minusklemmen von möglichen Oxidationsablagerungen, damit immer ein guter Kontakt mit den Masseklemmen herrscht.
- Die beiden Masseklemmen dürfen sich auf keinem Fall berühren, wenn das Gerät angeschlossen ist. In diesem Fall wird die Sicherung durchbrennen.
- Wenn die Batterie, mit der man das Ladegerät betreiben will, ständig an ein Fahrzeug angeschlossen ist, beachten Sie auch die Betriebs- und Wartungsanleitung des Fahrzeugs, besonders die Punkte "ELEKTRISCHE ANLAGE" oder "WARTUNG". Vor dem Laden entfernen Sie möglichst das Pluskabel, das zur elektrischen Anlage des Fahrzeugs gehört.
- Kontrollieren Sie ihre Spannung, bevor Sie die Batterie an das Ladegerät anschließen. (3 Verschlüsse kennzeichnen eine 6 V Batterie, 6 Verschlüsse eine 12 V Batterie). In einigen Fällen können zwei 12Volt-Batterien in Serie geschaltet sein. Dann ist eine Spannung von 24Volt erforderlich, um beide Akkus aufzuladen. Um ein ungleichmäßiges Laden zu vermeiden, vergewissern Sie sich bitte, daß sie dieselben Eigenschaften haben.
- Einem Start muss ein Schnellladevorgang von einigen Minuten Dauer vorangehen: Dadurch wird der nötige Anlassstrom geringer, es muss weniger Startstrom abgerufen werden. Denken Sie daran, sich vor dem Start eines Fahrzeugs davon zu überzeugen, dass die Batterie einwandfrei mit den zugehörigen Anschlüssen (+ und -) verbunden und in gutem Zustand, also nicht sulfatiert oder defekt ist. Unter keinen Umständen darf das Fahrzeug angelassen werden, wenn die Batterie von den zugehörigen Klemmen getrennt ist. Die Batterie ist entscheidend für die Dämpfung von Spannungsspitzen, die von jener Energie ausgehen, die sich während der Startphase in den Verbindungskabeln ansammelt.
- Wenn das Fahrzeug nicht startet, beharren Sie nicht, sondern warten Sie einige Minuten und wiederholen Sie dann den Schnellladevorgang.
- Starts müssen stets bei eingesetzter Batterie erfolgen, siehe Abschnitt ANLASSEN.



### 1. ОБЩАЯ БЕЗОПАСНОСТЬ ПРИ ИСПОЛЬЗОВАНИИ ДАННОГО ЗАРЯДНОГО УСТРОЙСТВА

- Во время зарядки из аккумуляторной батареи выходит взрывчатый газ, избегать образования пламени и искрения. НЕ КУРИТЬ.
- Установить аккумуляторную батарею во время зарядки в хорошо проветриваемое место .



- **Неопытный персонал должен пройти соответствующее обучение перед использованием оборудования.**
- **Аппарат разрешается использовать детям в возрасте от 8 лет и лицам с ограниченными физическими, сенсорными или умственными способностями, или без опыта или необходимых знаний при условии, что они находятся под присмотром либо прошли инструктаж относительно безопасного использования аппарата и понимают связанные с ним риски.**
- **Детям запрещается играть с аппаратом.**
- **Детям без присмотра запрещается осуществлять чистку и предусмотренное техобслуживание.**
- Использовать зарядное устройство батареи только в помещении и работать в хорошо проветриваемых местах: НЕ ПОДВЕРГАТЬ ДЕЙСТВИЮ ДОЖДЯ И СНЕГА.
- Отсоединить от сети кабель питания перед тем, как соединять и отсоединять зарядный кабель от аккумуляторной батареи.
- Не присоединять и не отсоединять зажимы от батареи при работающем зарядном устройстве батареи.
- Никогда не использовать зарядное устройство батареи внутри салона автомобиля или внутри капота.
- Заменять кабель питания только на оригинальные кабели.
- В случае повреждения кабеля питания, его замену необходимо доверить специалисту изготовителя или сервисного центра, либо другому лицу, обладающему аналогичной квалификацией, чтобы устранить все возможные риски.
- Не использовать зарядное устройство батареи для зарядки аккумуляторных батарей не заряжаемого типа.
- Проверить, что имеющееся напряжение питания соответствует указанному на табличке с характеристиками зарядного устройства батареи.
- Для того, чтобы не повредить электронную систему автомобиля, прочитать, хранить и тщательно выполнять инструкции, предоставленные производителем транспортного средства, когда зарядное устройство батареи используется как для зарядки, так и для пуска; то же относится к инструкциям, предоставленным производителем батареи.
- Это зарядное устройство батареи включает такие части, как переключатели и реле, могущие спровоцировать дугу и искры; поэтому, если вы используете устройство в гараже и подобном помещении, поместить зарядное устройство аккумуляторной батареи в место, подходящее для его хранения.
- Ремонт и техобслуживание внутренней части зарядного устройства батареи должны выполняться только опытным персоналом.
- **ВСЕГДА ОТКЛЮЧАЙТЕ КАБЕЛЬ ПИТАНИЯ ОТ СЕТИ ПЕРЕД ВЫПОЛНЕНИЕМ ЛЮБЫХ РАБОТ ПО ТЕХОБСЛУЖИВАНИЮ ЗАРЯДНОГО УСТРОЙСТВА.**
- Проверить, что розетка оснащена соединением заземления.
- У моделей, которые не имеют соединения заземления, соединить вилки с мощностью, соответствующей величине плавкого предохранителя, указанного на табличке.

### 2. ВВЕДЕНИЕ И ОБЩЕЕ ОПИСАНИЕ

- Это зарядное устройство батареи позволяет осуществлять заряд свинцовых аккумуляторных батарей со свободным электролитом, используемых на автомобилях с двигателями (бензин и дизель), мотоциклах, моторных лодках, и т. д.

- Зарядный ток, подаваемый оборудованием, понижается в соответствии с характеристикой кривой W и в соответствии с стандартом DIN 41774.
- Корпус, в котором установлено устройство, имеет степень защиты IP 20 и защищен от непрямых контактов при помощи проводника заземления, как предписано для оборудования класса I.

### 3. УСТАНОВКА

#### ПОДГОТОВКА (Рис.А)

- Распаковать зарядное устройство аккумуляторной батареи, выполнить монтаж отсоединенных частей, содержащихся в упаковке.
- Модели с тележками устанавливаются в вертикальном положении.

#### РАЗМЕЩЕНИЕ ЗАРЯДНОГО УСТРОЙСТВА БАТАРЕИ

- Во время функционирования разместить зарядное устройство батареи, так, чтобы оно находилось в устойчивом положении и проверить, что проход воздуха через соответствующие отверстия не затруднен, обеспечивая необходимую вентиляцию.

#### СОЕДИНЕНИЕ С СЕТЬЮ

- Зарядное устройство батареи должно соединяться только с системой питания с нулевым проводником, соединенным с заземлением.
- Проверить, что напряжение сети равнозначно рабочему напряжению.
- Линия питания должна быть укомплектована защитной системой, предохранителями или автоматическими выключателями, достаточными для того, чтобы выдерживать максимальное поглощение оборудования.
- Соединение с сетью выполняется при помощи специального кабеля.
- Удлинитель кабеля питания должны иметь соответствующее сечение и, в любом случае, быть не меньше поставляемого кабеля.
- Является обязательным соединение оборудования с заземлением, используя проводник кабеля питания желто-зеленого цвета, обозначенного этикеткой ( $\perp$ ), а два других проводника соединяются с сетью напряжения.
- Изменение напряжения происходит при помощи специальной монтажной колодки изменения напряжения (FIG. E).

### 4. РАБОТА

#### ПОДГОТОВКА К ЗАРЯДКЕ

**ПРИМ.: Перед тем, как начать зарядку, следует проверить, что емкость батареи (Ah), которую собираются заряжать, не ниже указанной в таблице характеристик (С min).**

**Выполнить инструкции, точно выполняя приведенную далее последовательность.**

- Снять крышки аккумуляторной батареи, если таковые имеются, чтобы вырбатывающийся при зарядке газ мог отходить.
- Проверить, что уровень электролита закрывает пластины аккумуляторной батареи; если они открыты, добавить дистиллированную воду, пока они не будут закрыты на 5-10 мм.

**ВНИМАНИЕ: СОБЛЮДАТЬ МАКСИМАЛЬНУЮ ОСТОРОЖНОСТЬ ВО ВРЕМЯ ВЫПОЛНЕНИЯ ЭТОЙ ОПЕРАЦИИ, ПОСКОЛЬКУ ЭЛЕКТРОЛИТ ЭТО СИЛЬНО КОРРОЗИВНАЯ КИСЛОТА.**

- Напоминаем, что точное состояние заряда аккумуляторных батарей может быть определено, только используя измеритель плотности, который позволяет измерить удельную плотность электролита;
- При отсоединенном от розетки сети кабеле питания соединить зарядные зажимы, в зависимости от номинального напряжения заряжаемой аккумуляторной батареи, установить коммутатор в положение зарядки, и установить таймер в положение нормальной зарядки.

- Проверить полярность зажимов аккумуляторной батареи: положительный на символе + и отрицательный на символе -.
- ПРИМЕЧАНИЕ: если символы трудно различимы, напоминаем, что положительный зажим это тот, который не соединен со станиной машины.

- Соединить зарядный зажим красного цвета с положительной клеммой батареи (символ +).

- Соединить зарядный зажим черного цвета со станиной машины, далеко от батареи и от топливного канала.
- ПРИМЕЧАНИЕ: если аккумуляторной батарее не установлена в машине, следует соединяться прямо с отрицательной клеммой батареи (символ -).

#### ЗАРЯДКА

- Подать питание к зарядному устройству батареи, вставив кабель питания в сетевую розетку и установив переключатель на ON (ВКЛ.) (если имеется).
- Амперметр (если имеется) указывает ток (в амперах) зарядки аккумуляторной батареи: во время этой фазы вы заметите, что показания амперметра будут медленно уменьшаться до очень низких значений, в зависимости от емкости и состояния батареи.

Рис. В

**ПРИМЕЧАНИЕ:** Когда аккумуляторная батарея заряжена, можно будет заметить начало «кипения» жидкости, находящейся в батарее. Рекомендуется прервать зарядку уже в начале этого явления, чтобы избежать повреждения аккумуляторной батареи.

При помощи коммутатора выбрать величину тока зарядки, в зависимости от аккумулятора и его состояния заряда, эта величина будет показан амперметром, шкала с наименьшим значением. Напоминаем, что медленная зарядка является гарантией большого срока работы аккумуляторной батареи, поскольку меньше нагревает ее, избегая окисления пластин и закипания электролита.

Идеальная величина тока равна 1/10 мощности в ампер/час аккумуляторной батареи. Например, для одной аккумуляторной батареи на 40 ампер, идеальная величина зарядки составляет 4 ампера.

#### Одновременная зарядка нескольких батарей

Этот тип операции требует максимальной осторожности: ВНИМАНИЕ; не заряжать емкостные или разряженные батареи, а также батареи различных типов.

Если Вам необходимо зарядить несколько аккумуляторных батарей одновременно, можно выполнить "последовательное" или "параллельное" соединение. Между двумя системами рекомендуется выполнить последовательное соединение, поскольку таким образом можно проверить ток, циркулирующий в каждой аккумуляторной батарее, который будет аналогичным показываемому амперметром.

**ПРИМЕЧАНИЕ:** В случае последовательного соединения двух аккумуляторов, имеющих номинальное напряжение 12 В, НЕОБХОДИМО подготовить зарядное устройство аккумулятора в положении 24 В.

Рис. С

#### КОНЕЦ ЗАРЯДКИ

- Отключите питание от зарядного устройства выключателем, переставив его на ВЫКЛ. (если имеется) от сети, и/или отсоедините вилку от электрической сети.
- Отсоединить зарядный зажим черного цвета от корпуса машины или от отрицательной клеммы батареи (символ -).
- Отсоединить зарядный зажим красного цвета от положительной клеммы батареи (символ +).
- Поместить зарядное устройство батареи в сухое место.
- Закрывать ячейки аккумуляторной батареи специальными пробками (если имеются).

#### ЗАПУСК

**Перед запуском транспортного средства следует убедиться, что батарея хорошо соединена с соответствующими клеммами (+ и -) и находится в хорошем состоянии (не сульфатированная и не неисправная).**

**Категорически запрещается производить запуск транспортных средств с отсоединенными от соответствующих клемм батареями; наличие батареи является очень важным для устранения возможного сверхнапряжения, которое может генерироваться из-за накопленной в соединительных кабелях энергии на этапе запуска.**

Для запуска поместить коммутатор (если имеется) или переключатель в положение запуска на напряжение, соответствующее запусковому транспортному средству.

Перед тем, как поворачивать ключ запуска, необходимо провести первую зарядку в течение 5-10 минут, поскольку это значительно облегчит запуск. **Операция быстрой зарядки должна выполняться**

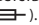
**только при зарядном устройстве аккумулятора в положение зарядки и НЕ запуска.**

Запуск выполняется, нажав на кнопку дистанционного управления (только для трех фаз).

Подаваемый ток указывается на шкале амперметра с большей пропускной способностью.



**ВНИМАНИЕ: Перед началом операции тщательно выполнить инструкции производителя транспортного средства!**

- Убедиться защитить линию электропитания при помощи предохранителей или автоматических выключателей соответствующей величины, обозначенной на табличке символом ().
- Для того, чтобы избежать перегрева зарядного устройства аккумулятора, выполнить операцию запуска СТРОГО соблюдая циклы работы/паузы, указанные на приборе (пример: ПУСК 3с ВКЛ 120с ВЫКЛ-5 ЦИКЛОВ). Не пытаться проводить дальнейшие запуски, если двигатель транспортного средства не заводится: можно серьезно повредить батарею или электрооборудование транспортного средства.

## 5. ЗАЩИТА ЗАРЯДНОГО УСТРОЙСТВА АККУМУЛЯТОРА (Рис. D)

Зарядное устройство батареи оборудовано защитами, сбрасывающими в случае:

- Перегрузки (избыточный ток подается к батарее).
- Короткого замыкания (зарядные зажимы вошли в контакт друг с другом).
- Изменение местами полярности на клеммах батареи.
- У оборудования, оснащенного плавкими предохранителями, является обязательным при замене использовать аналогичные запчасти, имеющие те же значения номинального тока.



**ВНИМАНИЕ: При замене плавкого предохранителя на другой со значениями тока, отличающимися от указанных на табличке, может привести к нанесению ущерба людям или предметам. По этой же причине следует категорически избегать использовать плавкие предохранители с медными перемычками или перемычками из другого материала.**

**Операция замены предохранителя всегда выполняется при ОТСОЕДИНЕННОМ от сети кабеле питания.**

## 6. ПОЛЕЗНЫЕ СОВЕТЫ

- Очищать положительные и отрицательные клеммы от налета окисления, чтобы обеспечить хороший контакт зажимов.
- Избегать контакта двух зажимов при использовании зарядного устройства батареи, когда оно подключено к сети. В этом случае перегорает плавкий предохранитель.
- Если батарея, с которой Вы намерены использовать это зарядное устройство, постоянно установлена на транспортное средство, проконсультироваться также с рабочими инструкциями и/или инструкциями по техобслуживанию транспортного средства, прочитав главы "ЭЛЕКТРИЧЕСКАЯ СИСТЕМА" или "ТЕХОБСЛУЖИВАНИЕ". Предпочтительно отсоединять перед тем, как производить зарядку, положительный кабель, являющийся частью электрической системы транспортного средства.
- Проверить напряжение батареи, перед тем, как подсоединять ее к зарядному устройству батареи; напоминаем, что 3 загрузки обозначают батарее на 6 Вольт, 6 загрузок 12 Вольт. В некоторых случаях могут быть две аккумуляторных батареи по 12 Вольт, установленные последовательно; в этом случае требуется напряжение 24 Вольт для зарядки обеих аккумуляторов. Проверить, что они имеют одинаковые характеристики, для того, чтобы избежать неуравновешенности заряда.
- Перед тем, как выполнять запуск, провести быструю зарядку продолжительностью в несколько минут: это ограничит пусковой ток, потребляя меньше тока из сети. Необходимо помнить, что перед запуском транспортного средства следует убедиться, что батарея хорошо соединена с соответствующими клеммами (+ и -) и находится в хорошем состоянии (не сульфатированная и не неисправная). Категорически запрещается производить запуск транспортных средств с отсоединенными от соответствующих клемм батареями; наличие батареи является очень важным для устранения возможного сверхнапряжения, которое может генерироваться из-за накопленной в соединительных кабелях энергии на этапе запуска.
- Если не удается произвести запуск, не настаивать, подождать несколько минут и повторить операцию быстрой зарядки.

- Запуски всегда выполняются при соединенной батарее, смотри параграф ЗАПУСК.

(PT)

## MANUAL DE INSTRUÇÕES



**ATENÇÃO: ANTES DE UTILIZAR O CARREGADOR LER O MANUAL DE INSTRUÇÕES ATENTAMENTE!**

## 1. SEGURANÇA GERAL PARA O USO DESTES CARREGADOR DE BATERIAS



- Durante o carregamento as baterias emanam gases explosivos, evitar que se formem chamas e faíscas. NÃO FUMAR.
- Colocar as baterias que estão sendo carregadas num lugar ventilado.



- As pessoas que não têm experiência devem ser instruídas oportunamente antes de utilizar o aparelho.
- O aparelho pode ser usado por crianças de idade não inferior a 8 anos e por pessoas com reduzidas capacidades físicas, sensoriais ou mentais, ou sem a experiência ou conhecimentos necessários, desde que sob vigilância ou depois de receberem instruções relativas ao uso seguro do aparelho e à compreensão dos perigos associados ao mesmo.
- As crianças não devem brincar com o aparelho.
- A limpeza e a manutenção destinadas a ser efetuadas pelo utilizador não devem ser efetuadas por crianças sem vigilância.
- Usar o carregador de baterias exclusivamente em locais fechados os quais devem ser ambientes bem ventilados: NÃO EXPOR À CHUVA OU NEVE.
- Desligar o cabo eléctrico da rede antes de ligar ou desligar os cabos de carga da bateria.
- Não prender nem desprender as pinças à bateria com o carregador de baterias funcionando.
- Não usar de maneira nenhuma o carregador de baterias dentro de um automóvel ou do capô.
- Substituir o cabo eléctrico somente com um cabo original.
- Se o cabo de alimentação estiver danificado, deve ser substituído pelo fabricante ou pelo seu serviço de assistência técnica ou por uma pessoa com qualificações semelhantes, de forma a prevenir qualquer risco.
- Não usar o carregador de baterias para recarregar baterias do tipo que não podem ser recarregadas.
- Verificar que a tensão de alimentação disponível seja correspondente àquela indicada na placa de dados do carregador de baterias.
- Para não danificar a electrónica dos veículos, ler, guardar, respeitar rigorosamente os avisos fornecidos pelos fabricantes dos próprios veículos, quando se usa o carregador de baterias tanto sob carga como em arranque; o mesmo vale para as indicações fornecidas pelo fabricante de baterias.
- Este carregador de baterias contém partes, tais como interruptores ou relés, que podem provocar arcos ou faíscas; portanto se for usado numa garagem ou em ambiente semelhante, colocar o carregador de baterias num lugar ou caixa apropriada para tal fim.
- Operações de reparação ou de manutenção no interior do carregador de baterias devem ser efectuadas somente por profissionais especializados.
- **DESINSERIR SEMPRE O CABO DE ALIMENTAÇÃO DA REDE ANTES DE EFETUAR QUALQUER INTERVENÇÃO DE MANUTENÇÃO NO CARREGADOR DE BATERIA.**
- Controlar que a tomada tenha ligação de protecção à terra.
- Nos modelos sem fio terra, ligar fichas com capacidade apropriada ao valor do fusível indicado na placa.

## 2. INTRODUÇÃO E DESCRIÇÃO GERAL

- Este carregador de baterias possibilita o carregamento de baterias de chumbo com electrólito livre usadas em veículos a motor (gasolina (diesel), motocicletas, embarcações, etc.
- A corrente de carga fornecida pelo aparelho decresce segundo a curva característica W e em conformidade com a norma DIN 41774.
- A caixa onde está instalado possui um grau de protecção IP 20 e é

protegido de contactos indirectos mediante um condutor de terra conforme estabelecido para os aparelhos de classe I.

### 3. INSTALAÇÃO PREPARAÇÃO (FIG.A)

- Desembalar o carregador de baterias, executar a montagem das partes avulsas, contidas na embalagem.
- Os modelos sobre rodas devem ser instalados na posição vertical.

### POSICIONAMENTO DO CARREGADOR DE BATERIAS

- Durante o funcionamento posicionar de maneira estável o carregador de baterias e controlar para que não fique obstruída a passagem de ar através das aberturas apropriadas garantindo uma ventilação suficiente.

### LIGAÇÃO À REDE

- O carregador de bateria deve ser ligado exclusivamente a um sistema de alimentação com condutor de neutro ligado à terra. Controlar que a tensão de rede seja correspondente à tensão de funcionamento.
- A linha de alimentação deverá ser dotada de sistemas de protecção, tais como fusíveis ou interruptores automáticos, suficientes para suportar a absorção máxima do aparelho.
- A ligação à rede deve ser efectuada com cabo apropriado.
- Eventuais extensões do cabo eléctrico devem ter um diâmetro adequado e nunca inferior ao diâmetro do cabo fornecido.
- É sempre obrigatório ligar o aparelho à terra, utilizando o condutor de cor amarelo-verde do cabo eléctrico, marcado com a etiqueta (⊕), enquanto os outros dois condutores deverão ser ligados à rede de tensão.
- A troca de tensão é efectuada através da régua de bornes apropriada para troca de tensões (FIG. E).

### 4. FUNCIONAMENTO

#### PREPARAÇÃO PARA A CARGA

**NB: Antes de efectuar a carga, verificar que a capacidade das baterias (Ah) que se deseja carregar não seja inferior àquela indicada na placa (C min).**

**Executar as instruções seguindo rigorosamente a ordem reproduzida abaixo.**

- Remover as tampas da bateria se presentes, de maneira que os gases que se produzem durante o carregamento possam sair.
- Controlar que o nível do electrólito cubra as placas das baterias; se as mesmas ficarem descobertas acrescentar água destilada até cobri-las de 5-10 mm.



**ATENÇÃO: PRESTAR O MÁXIMO CUIDADO DURANTE ESTA OPERAÇÃO PORQUE O ELECTRÓLITO É UM ÁCIDO ALTAMENTE CORROSIVO.**

- Deve ser lembrado que o estado exacto de carga das baterias pode ser determinado somente usando um densímetro, que permite a medição da densidade específica do electrólito; a título indicativo valem os seguintes valores de densidade de soluto (Kg/l a 20°C):  
1.28 = bateria carregada  
1.21 = bateria semi-carregada  
1.14 = bateria descarregada
- Com cabo de alimentação desligado da tomada de rede ligar os bornes de carga em função da tensão nominal da bateria a carregar, colocar o comutador na posição de carregamento e inserir o temporizador na posição de carregamento normal.
- Verificar a polaridade dos bornes da bateria: positivo o símbolo + e negativo o símbolo -.
- NOTA: se os símbolos não estiverem visíveis deve ser lembrado que o borne positivo é aquele não ligado ao chassi do automóvel.
- Prender a pinça de carga de cor vermelha ao borne positivo da bateria (símbolo +).
- Prender a pinça de carga de cor preta ao chassi do automóvel, longe da bateria e do tubo do combustível.
- NOTA: se a bateria não estiver instalada no automóvel, ligar directamente ao borne negativo da bateria (símbolo -).

### CARGA

- Alimentar o carregador de baterias introduzindo o cabo de força na tomada de rede e colocando o interruptor em ON (se houver).
- O amperímetro (se presente) indicará a corrente (em Ampère) de carga da bateria; durante esta fase poderá ser observado que a indicação do amperímetro diminuirá lentamente até valores muito baixos em função da capacidade e das condições da bateria.

FIG. B

**NOTA:** Quando a bateria estiver carregada poderá ser percebido um princípio de "ebulição" do líquido contido na bateria. Recomenda-se interromper a carga já no início deste fenómeno a fim de evitar danos da bateria.

Através do comutador escolher o valor da corrente de carga de acordo com o tipo de acumulador e no seu estado de carga, tal valor é marcado pelo amperímetro, escala com valor mais baixo.

Deve ser lembrado que uma carga lenta é garantia de maior durabilidade da bateria porque a aquece menos evitando oxidações das placas e ebulição do electrólito.

O valor ideal da corrente é de 1/10 da capacidade da bateria em Ampère/hora. Exemplo, para uma bateria de 40 Ampère o valor ideal de carga é de 4 Ampère.

### Carga simultânea de mais baterias

Efectuar este tipo de operação com o máximo cuidado. **ATENÇÃO;** não carregar baterias com capacidade, descarga e tipo diferente entre si. Tendo que carregar várias baterias simultaneamente pode-se usar ligações em "série" ou em "paralelo". Entre os dois sistemas é recomendável a ligação em série, porque desta maneira pode-se controlar a corrente circulante em cada bateria que será análoga àquela marcada pelo amperímetro.

**NOTA:** No caso de ligação em série de duas baterias com tensão nominal de 12V, DEVE-SE predispor o carregador de baterias na posição 24V.

FIG. C

### FIM DA CARGA

- Tirar a alimentação do carregador de baterias pondo em OFF o interruptor (se for presente) e/ou tirando o cabo de alimentação da tomada de rede.
- Desprender a pinça de carga de cor preta do chassi do automóvel ou pelo borne negativo da bateria (símb. -).
- Desprender a pinça de carga de cor vermelha do borne positivo da bateria (símbolo +).
- Guardar o carregador de baterias em lugar seco.
- Fechar as células da bateria com as tampas apropriadas (se presentes).

### ARRANQUE

**Verifique antes de executar o arranque do veículo, que a bateria esteja bem ligada nos respectivos bornes (+ e -) e esteja em bom estado (não sulfatada e sem avaria).**

**Não execute de maneira nenhuma arranques de veículos com baterias desligadas dos respectivos bornes; a presença da bateria é determinante para a eliminação de eventuais sobretensões que podem ser geradas por efeito da energia acumulada nos fios de ligação durante a fase de arranque.**

Para o arranque disponha o comutador (se presente) ou o desviador na posição de arranque com a tensão correspondente àquela do meio a arrancar.

É indispensável, antes de virar a chave de arranque, efectuar uma carga rápida de 5-10 minutos, isto facilitará muito o arranque. **A operação de carga rápida deve ser executada rigorosamente com o carregador de baterias na posição de carga e NÃO de arranque.**

O arranque será efectuado carregando o botão de controlo remoto (somente para trifásico).

A corrente abastecida é indicada pela escala do amperímetro com capacidade maior.



**ATENÇÃO: Antes de proceder observe atentamente os avisos dos fabricantes de veículos!**

- Certifique-se de proteger a linha de alimentação com fusíveis ou interruptores automáticos com valor correspondente indicado na placa com o símbolo (—).
- A fim de evitar sobreaquecimentos do carregador de baterias, execute a operação de arranque respeitando RIGOROSAMENTE os ciclos de trabalho/pausa indicados no aparelho (exemplo: START 3s ON 120s OFF-5 CYCLES). Não insista mais se o motor do veículo não arranca: com efeito, poderia comprometer seriamente a bateria ou até mesmo o equipamento eléctrico do veículo.

### 5. PROTECÇÕES DO CARREGADOR DE BATERIAS (FIG.D)

O carregador de baterias possui uma protecção que interfere no caso de:

- Sobrecarga (fornecimento excessivo de corrente para a Bateria).
- Curto-circuito (pinças de carga colocadas em contacto entre si).
- Inversão de polaridade nos bornes da bateria.

- Nos aparelhos munidos de fusíveis é obrigatório em caso de substituição, usar peças de reposição iguais com o mesmo valor de corrente nominal.



**ATENÇÃO:** Substituir o fusível com valores de corrente diferentes daqueles indicado na placa poderá provocar danos a pessoas ou coisas. Pelo mesmo motivo, evitar rigorosamente a substituição do fusível com pontes de cobre ou outro material.

A operação de substituição do fusível deve ser sempre efectuada com o cabo eléctrico DESLIGADO da rede.

## 6. CONSELHOS ÚTEIS

- Limpar os bornes positivo e negativo de possíveis incrustações de óxido a fim de garantir um bom contacto das pinças.
- Evitar absolutamente de colocar em contacto as duas pinças quando o carregador de baterias estiver inserido na rede. Neste caso haverá a queima do fusível.
- Se a bateria com a qual se quer usar este carregador de baterias estiver permanentemente inserida num veículo, consultar também o manual de instruções e/ou de manutenção do veículo no capítulo "INSTALAÇÃO ELÉCTRICA" ou "MANUTENÇÃO". É preferível desligar, antes de efectuar o carregamento, o cabo positivo que faz parte da instalação eléctrica do veículo.
- Controlar a tensão da bateria antes de ligá-la ao carregador de baterias, deve ser lembrado que 3 tampas diferencia uma bateria de 6Volts, 6 tampas 12Volts. Em alguns casos pode haver duas baterias com 12 Volts em série, neste caso é necessária uma tensão de 24 Volts para carregar ambos os dois acumuladores. Controlar que tenham as mesmas características para evitar desequilíbrio na carga.
- Antes de efectuar um arranque execute sempre uma carga rápida com duração de alguns minutos: isso limitará a corrente de arranque, exigindo também menos corrente da rede. Verifique antes de executar o arranque do veículo, que a bateria esteja bem ligada nos respectivos bornes (+ e -) e esteja em bom estado (não sulfatada e sem avaria). Não execute de maneira nenhuma arranques de veículos com baterias desligadas dos respectivos bornes; a presença da bateria é determinante para a eliminação de eventuais sobretensões que podem ser geradas por efeito da energia acumulada nos fios de ligação durante a fase de arranque.
- Se o arranque não acontece, não insista, mas espere alguns minutos e repita a operação de carga rápida.
- Os arranques devem ser sempre executados com bateria ligada, veja o parágrafo ARRANQUE.

(NL)

## INSTRUCTIEHANDLEIDING



**OPGELET: VOORDAT MEN DE BATTERIJLADER GEBRUIKT, AANDACHTIG DE INSTRUCTIEHANDLEIDING LEZEN**

### 1. ALGEMENE VEILIGHEID VOOR HET GEBRUIK VAN DEZE BATTERIJLADER



- Tijdens het opladen laten de batterijen explosief gas vrij, vermijd dat er zich vlammen en vonken vormen. NIET ROKEN.
- De op te laden batterijen op een verluchte plaats zetten.



- De niet ervaren personen moeten op een adequate manier opgeleid worden voordat ze het toestel gebruiken.
- Het apparaat kan worden gebruikt door kinderen vanaf 8 jaar en door personen met beperkte fysieke, zintuiglijke of mentale capaciteit, door personen zonder ervaring of de benodigde kennis, mits deze onder toezicht staan of nadat deze instructies hebben gekregen over een veilig gebruik van het apparaat en over het begrip van de gevaren die met het apparaat gepaard gaan.
- Kinderen mogen niet met het apparaat spelen.
- De reiniging en het onderhoud dat door de gebruiker moeten worden uitgevoerd, mogen niet worden uitgevoerd door kinderen die niet onder toezicht staan.
- De batterijlader uitsluitend binnen gebruiken en werken in goed verluchte ruimten: NIET BLOOTSTELLEN AAN REGEN OF SNEEUW.
- De voedingskabel loskoppelen van het net voordat de kabels voor het opladen worden aangesloten op of losgekoppeld van de batterij.
- De tangen niet aansluiten op of loskoppelen van de batterij met de batterijlader in werking.
- De batterijlader geenszins gebruiken binnen in de auto of in de motorkap.
- De voedingskabel alleen vervangen met een originele kabel.
- Als het snoer is beschadigd, moet het worden vervangen door de fabrikant of diens technische dienst of in ieder geval door iemand met een dergelijke deskundigheid, om ieder risico te vermijden.
- De batterijlader niet gebruiken om niet heroplaadbare batterijen terug op te laden.
- Verifiëren of de beschikbare voedingsspanning overeenstemt met diegene die aangegeven staat op de plaat met de gegevens van de batterijlader.
- Teneinde de elektronica van de voertuigen niet te beschadigen, de waarschuwingen gegeven door de fabrikanten van de voertuigen zelf lezen, bewaren en zorgvuldig in acht nemen, wanneer men de batterijlader gebruikt zowel bij het opladen als bij de start; hetzelfde geldt voor de aanwijzingen gegeven door de fabrikant van de batterijen.
- Deze batterijlader bevat componenten, zoals schakelaars of relais, die bogen of vonken kunnen veroorzaken; bijgevolg, indien de batterijlader in een garage of in een soortgelijke ruimte wordt gebruikt, moet men hem in een lokaal of in een omgeving plaatsen die speciaal voor dit doel bestemd is.
- Ingrepren van herstellingen of onderhoud aan de binnenkant van de batterijlader mogen alleen uitgevoerd worden door personeel met ervaring.
- **HAAL ALTIJD DE STEKKER UIT HET STOPCONTACT VOORDAT U ONDERHOUDSWERKZAAMHEDEN AAN DE ACCULADER UITVOERT.**
- Controleren of het contact voorzien is van een beschermende aardeaansluiting.
- In de modellen die erover beschikken, stekkers aansluiten die een vermogen hebben dat geschikt is voor de op de plaat aangeduide waarde van de zekering.

### 2. INLEIDING EN ALGEMENE BESCHRIJVING

- Deze batterijlader staat het opladen van batterijen met lood en vrije elektrolyt toe gebruikt op motorvoertuigen (benzine en diesel), motorfietsen, schepen, enz.
- De stroom voor het opladen geleverd door het toestel neemt af volgens de karakteristieke kromme W en is overeenkomstig de norm



DIN 41774.

- De bak waarin deze è geïnstalleerd is heeft een beschermingsgraad IP 20 en è is beschermd door indirecte contacten middels een aardegeleider zoals voorgeschreven wordt voor de toestellen in klasse I.

### 3. INSTALLATIE

#### INRICHTING (FIG. A)

- De batterijlader uitpakken, overgaan tot de montage van de losse componenten die in de verpakking zitten.
- De modellen op wagen moeten in verticale stand geïnstalleerd worden.

#### PLAATSIJG VAN DE BATTERIJLADER

- Tijdens de werking van de batterijlader op een stabiele manier installeren en ervoor zorgen dat de luchttoegang niet verstopt wordt middels speciaal daartoe bestemde openingen zodanig dat een voldoende ventilatie gegarandeerd is.

#### AANSLUITING OP HET NET

- De batterijlader mag uitsluitend aangesloten worden op een voedingsstelsel met een neutraalgeleider verbonden met de aarde. Controleren of de netspanning overeenstemt met de spanning van werking.
- De voedingslijn moet uitgerust zijn met beschermingsstelsels zoals zekeringen of automatische schakelaars, voldoende om de maximum absorptie van het toestel te verdragen.
- De aansluiting op het net è moet uitgevoerd worden met een speciale kabel.
- Eventuele verlengsnoeren van de voedingskabel moeten een adequate doorsnede hebben die nooit kleiner mag zijn dan diegene van de geleverde kabel.
- Het is altijd verplicht het toestel met de aarde te verbinden, gebruik makend van de geel-groene geleider van de voedingskabel, gemarkeerd met het etiket (+), terwijl de andere twee geleiders verbonden moeten worden met de netspanning.
- De verandering spanning geschiedt middels een speciale plaat voor de verandering spanning (FIG. E).

### 4. WERKING

#### VOORBEREIDING VOOR HET OPLADEN

**NB: Voordat men overgaat tot het opladen, moet men verifiëren of de capaciteit van de batterijen (Ah) die men wenst te onderwerpen aan het opladen niet kleiner is dan diegene die aangeduid staat op de plaat (C min).**

**Bij het uitvoeren van de instructies nauwkeurig de hierna aangegeven volgorde volgen.**

- De eventueel aanwezige deksels van de batterij wegnemen, i zodanig dat de gassen die zich ontwikkelen tijdens het opladen naar buiten kunnen komen.
- Controleren of het niveau van de elektrolyt de platen van de batterijen dekt; indien deze bloot blijken te liggen, gedistilleerd water toevoegen tot ze 5-10 mm bedekt zijn.



**OPGELET: UITERST VOORZICHTIG TE WERK GAAN TIJDENS DEZE OPERATIE OMDAT DE ELEKTROLYT EEN UITERST CORROSIEF ZUUR IS.**

- Men herinnert eraan dat de juiste staat van opladen van de batterijen alle bepaald kan worden gebruik makend van een densimeter, die toestaat de specifieke densiteit van de elektrolyt te meten; indicatief zijn de volgende waarden van densiteit van opgeloste stof geldig (Kg/l op 20°C):

1.28 = opgeladen batterij  
1.21 = half ontladen batterij  
1.14 = ontladen batterij

- Met de voedingskabel losgekoppeld van het contact van het net de klemmen voor het opladen aansluiten in functie van de nominale spanning van de op te laden batterij, de commutator in de stand van opladen plaatsen en de timer in de stand van normaal opladen zetten.
- De polariteit van de klemmen van de batterij verifiëren: positief het symbool + en negatief het symbool -.

OPMERKING: indien de symbolen zich niet onderscheiden moet men zich herinneren dat de positieve klem diegene is die niet verbonden is met het chassis van de auto.

- De rode tang voor het opladen verbinden met de positieve klem van de batterij (symbool +).

- De zwarte tang voor het opladen verbinden met het chassis van de auto, uit de buurt van de batterij en van de buis van de brandstof.
- OPMERKING indien de batterij niet in de auto geïnstalleerd is, zich

rechtstreeks verbinden met de negatieve klem van de batterij (symbool -).

#### OPLADEN

- De batterijlader voeden door de voedingskabel in het contact van het net te steken en de schakelaar (indien aanwezig) op ON te zetten.
- De ampèremeter (indien aanwezig) geeft de stroom aan (in Ampères) voor het opladen van de batterij; tijdens deze fase merkt men dat de aanwezigheid van de ampèremeter langzaam vermindert tot op heel lage waarden in functie van de capaciteit en de condities van de batterij.

FIG. B

**OPMERKING:** Wanneer de batterij opklaadt kan men bovendien een begin van "koken" van de vloeistof merken die bevat is in de batterij. Men raadt aan het opladen reeds aan het begin van dit fenomeen te onderbreken teneinde beschadigingen aan de batterij te voorkomen.

Middels de commutator de lopende waarde van opladen kiezen op basis van het type van accumulator en de staat van opladen; deze waarde wordt gesignaleerd door de ampèremeter, schaal met laagste waarde. Men herinnert eraan dat een traag opladen garantie is voor een langere tijdsduur van de batterij omdat ze minder verhit wordt en hierbij een oxydatie van de platen en het koken van de elektrolyt voorkomen wordt. De ideale waarde van de stroom van 1/10 van het vermogen in Ampères/uur van de batterij. Bijvoorbeeld, voor een batterij van 40 Ampères is de ideale waarde van opladen 4 Ampères.

#### Gelijktijdig opladen van meerdere batterijen

Dit soort operaties uiterst voorzichtig uitvoeren: OPGELET; geen batterijen opladen met een verschillende capaciteit, afleiding en typologie. Indien men meerdere batterijen tegelijkertijd moet opladen, kan men beroep doen op verbindingen in "serie" of in "parallel". Tussen de twee systemen is de verbinding in serie aan te raden è omdat men op deze wijze de stroom kan controleren die in iedere batterij stroomt en die analoog zal zijn met diegene die door de ampèremeter wordt aangeduid.

**OPMERKING:** In geval van een verbinding in serie van twee batterijen met een nominale spanning van 12V, MOET men de batterijlader voorinstellen in de stand 24V.

FIG. C

#### EINDE OPLADEN

- De voeding van de acculader wegnemen en hierbij de schakelaar (indien aanwezig) op OFF plaatsen en/of de voedingskabel uit het contact van het net nemen.
- De zwarte tang van het opladen loskoppelen van het chassis van de auto of van de negatieve klem van de batterij (symbool -).
- De rode tang van het opladen loskoppelen van de positieve klem van de batterij (symbool +).
- De batterijlader op een droge plaats opbergen.
- De cellen van de batterij terug sluiten met de speciaal daartoe bestemde doppen (indien aanwezig).

#### START

**Voordat men de start van het voertuig uitvoert, moet men controleren of de batterij goed verbonden is met de desbetreffende klemmen (+ en -) en in goede staat is (niet gesulfoneerd en niet defect).**

**Nooit op geen enkele manier startoperaties van voertuigen uitvoeren met de batterijen losgekoppeld van de desbetreffende klemmen; de aanwezigheid van de batterij is bepalend voor het elimineren van eventuele te grote spanningen die gegenereerd zouden kunnen worden als effect van de energie opgehoopt in de verbindingkabels tijdens de startfase.**

Voor de start moet men de commutator (indien aanwezig) of de deviator in de stand van start zetten aan de spanning in overeenstemming met die van het te starten voertuig.

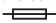
Het is absoluut noodzakelijk, voordat men aan de start sleutel draait, een snelle oplading van 5-10 minuten uit te voeren, dit zal de start ten stelligste vergemakkelijken. **De snelle oplaadoperatie moet zorgvuldig uitgevoerd worden met de batterijlader in de stand van opladen en NIET van start.**

De start zal gebeuren door te drukken op de drukknoop van de afstandsbediening (alleen voor driefasen)

De verdeelde stroom wordt aangeduid door de schaal van de ampèremeter met groot vermogen.



**OPGELET: Voordat men verdergaat moet men aandachtig de waarschuwingen van de fabrikanten van de voertuigen lezen!**

- Controleren dat de voedingslijn beschermd is met zekeringen of automatische schakelaars van de overeenstemmende waarde aangeduid op de plaat met het symbool (  ).
- Teneinde verhittingen van de batterijlader te voorkomen, moet men de startoperatie uitvoeren met een NAUWKEURIG respect voor de cycli van werk/pauze aangeduid op het toestel (voorbeeld: START 3s ON 120s OFF-5 CYCLES). Bovendien niet aandringen indien de motor van het voertuig niet start: dit zou immers de batterij of zelfs de elektrische uitrusting van het voertuig ernstig kunnen compromitteren.

## 5. BESCERMINGEN VAN DE BATTERIJLADER (FIG. D)

De batterijlader è uitgerust met bescherming die ingrijpt in geval van:

- Overlading (excessieve verdeling van stroom naar de batterij).
- Kortsluiting (tangen voor het opladen in contact met elkaar geplaatst).
- Omkering van polariteit op de klemmen van de batterij.
- In de toestellen voorzien van zekeringen is het verplicht, in geval van vervangingen, analoge reserve onderdelen te gebruiken die dezelfde waarde van nominale stroom hebben.



**OPGELET: De zekering niet vervangen met waarden van stroom die verschillen van diegene die op de plaat staan aangeduid, dit zou schade kunnen berokkenen aan dingen of personen. Omwille van dezelfde reden moet men absoluut vermijden dat de zekering vervangen wordt met koperen bruggen of ander materiaal.**

**De operatie van de vervanging van de zekering moet altijd worden uitgevoerd met de voedingskabel LOSGEKOPPELD van het net.**

## 6. NUTTIGE RAADGEVINGEN

- Mogelijke incrustaties van oxide wegnemen van de positieve en negatieve klemmen zodanig dat men een goed contact van de tangen garandeert.
- Strikt vermijden de twee tangen in contact te brengen wanneer de batterijlader op het net is aangesloten. In dit geval zal de zekering verbranden.
- Indien de batterij waarmee men deze batterijlader wenst te gebruiken è permanent op een voertuig is aangesloten, moet men ook de handleiding instructie en/of onderhoud van het voertuig raadplegen op het punt "ELEKTRISCHE INSTALLATIE" of "ONDERHOUD". Bij voorkeur, vóór het opladen, de positieve kabel die deel uitmaakt van de elektrische installatie van het voertuig loskoppelen.
- De spanning van de batterij controleren voordat men ze aansluit op de batterijlader, men herinnert eraan dat 3 doppen een batterij van 6Volt onderscheiden, 6 doppen 12Volt. In sommige gevallen kunnen er twee batterijen van 12Volt in serie zijn, in dit geval vraagt men een spanning van 24Volt om beide accu's op te laden. Controleren of ze dezelfde karakteristieken hebben teneinde een onevenwicht bij het opladen te voorkomen.
- Voordat men een startoperatie uitvoert, een snelle oplading met een duur van enkele minuten uitvoeren: dit zal de startstroom beperken, waarbij ook minder stroom van het net wordt gevraagd. Men moet zich herinneren, voordat de start van het voertuig wordt uitgevoerd, te controleren of de batterij goed verbonden is met de desbetreffende klemmen (+ en -) en of ze in goede staat is (niet gesulfoneerd en niet defect).
- Nooit op geen enkele manier startoperaties van voertuigen uitvoeren met de batterijen losgekoppeld van de desbetreffende klemmen; de aanwezigheid van de batterij is bepalend voor het elimineren van eventuele te grote spanningen die gegeneerd zouden kunnen worden als effect van de energie opgehoopt in de verbindingskabels tijdens de startfase.
- Indien de start niet plaatsvindt, niet aandringen, maar enkele minuten wachten en de operatie van snel opladen herhalen.
- De startoperaties moeten altijd uitgevoerd worden met een uitgeschakelde batterij, zie paragraaf START.

(EL)

## ΕΓΧΕΙΡΙΔΙΟ ΧΡΗΣΗΣ



**ΠΡΟΣΟΧΗ: ΠΡΙΝ ΧΡΗΣΙΜΟΠΟΙΗΣΤΕ ΤΟ ΦΟΡΤΙΣΤΗ ΜΠΑΤΑΡΙΩΝ ΔΙΑΒΑΣΤΕ ΠΡΟΣΕΚΤΙΚΑ ΤΟ ΕΓΧΕΙΡΙΔΙΟ ΧΡΗΣΗΣ!**

## 1. ΓΕΝΙΚΗ ΑΣΦΑΛΕΙΑ ΓΙΑ ΤΗ ΧΡΗΣΗ ΑΥΤΟΥ ΤΟΥ ΦΟΡΤΙΣΤΗ ΜΠΑΤΑΡΙΩΝ



- Κατά τη φόρτιση οι μπαταρίες εκπέμπουν εκρηκτικά αέρια, αποφεύγετε για αυτό να προκαλούνται φλόγες ή σπινές. ΜΗΝ ΚΑΠΝΙΖΕΤΕ.
- Τοποθετείτε τις μπαταρίες που φορτίζονται σε αεριζόμενο χώρο.



- Άτομα χωρίς πείρα πρέπει να ενημερώνονται κατάλληλα πριν χρησιμοποιήσουν τη μηχανή.
- Η συσκευή μπορεί να χρησιμοποιηθεί από παιδιά ηλικίας όχι κατώτερης των 8 ετών και από άτομα με ελαττωμένες σωματικές, αισθητήριες ή διανοητικές ικανότητες, ή χωρίς πείρα ή κατάλληλη γνώση, εφόσον βρίσκονται υπό επίβλεψη ή έχουν λάβει οδηγίες για την ασφαλή χρήση της συσκευής και την κατανόηση των σχετικών κινδύνων.
- Τα παιδιά δεν πρέπει να παίζουν με τη συσκευή.
- Ο καθαρμός και η συντήρηση που πρέπει να γίνονται από το χρήστη, δεν πρέπει να εκτελούνται από παιδιά χωρίς επίβλεψη.
- Χρησιμοποιείτε το φορτιστή μπαταριών αποκλειστικά σε εσωτερικούς χώρους και βεβαιωθείτε ότι ο ίδιος χώρος είναι αερισιμένος: ΜΗΝ ΕΚΘΕΤΕΤΕ ΣΕ ΒΡΟΧΗ Η ΧΙΟΝΙ.
- Αποσυνδέστε το καλώδιο τροφοδοσίας από το δίκτυο πριν συνδέσετε ή αποσυνδέσετε τα καλώδια φόρτισης της μπαταρίας.
- Μην συνδέετε ή αποσυνδέετε τις λαβίδες στην μπαταρία με το φορτιστή σε λειτουργία.
- Κατά απόλυτο τρόπο μην χρησιμοποιείτε το φορτιστή μπαταριών μέσα σε αυτοκίνητο ή μπαούλο αυτοκινήτου.
- Αντικαταστήστε το καλώδιο τροφοδοσίας μόνο με αυθεντικό καλώδιο.
- Αν το καλώδιο τροφοδοσίας έχει υποστεί βλάβη, πρέπει να αντικατασταθεί από τον κατασκευαστή ή από τεχνικό του σέρβις ή πάντως από άτομο με παρόμοια ειδικείωση, ώστε να προλαμβάνονται όλοι οι κίνδυνοι.
- Μην χρησιμοποιήσετε το φορτιστή για τη φόρτιση μπαταριών του είδους που δεν φορτίζεται.
- Ελέγξτε ότι η διαθέσιμη τάση τροφοδοσίας αντιστοιχεί σε εκείνη που αναγράφεται στην τεχνική πινακίδα του φορτιστή.
- Για να μην βλάψετε το ηλεκτρονικό σύστημα των οχημάτων, διαβάστε, διατηρήστε και τηρήστε προσεκτικά τις ενδείξεις που χορηγούνται από τους κατασκευαστές των ίδιων οχημάτων όταν χρησιμοποιείται ο φορτιστής τόσο σε φόρτιση όσο σε εκκίνηση. Το ίδιο ισχύει για τις ενδείξεις που χορηγούνται από τον κατασκευαστή μπαταριών.
- Αυτός ο φορτιστής μπαταριών περιλαμβάνει μέρα, όπως διακόπτες ή ρελέ, που μπορούν να παράγουν τόξα ή σπινές. Για αυτό αν χρησιμοποιείται σε αμαξοστάσιο ή παρόμοιο περιβάλλον, τοποθετήστε το φορτιστή σε κατάλληλο χώρο ή κατάλληλη θήκη.
- Επεμβάσεις επισκευής ή συντήρησης στο εσωτερικό του φορτιστή πρέπει να εκτελούνται μόνο από ειδικευμένο προσωπικό.
- **ΑΠΟΣΥΝΕΤΕ ΠΑΝΤΑ ΤΟ ΚΑΛΩΔΙΟ ΤΡΟΦΟΔΟΣΙΑΣ ΑΠΟ ΤΟ ΔΙΚΤΥΟ ΠΡΙΝ ΕΚΤΕΛΕΣΕΤΕ ΟΠΟΙΑΔΗΠΟΤΕ ΕΝΕΡΓΕΙΑ ΣΥΝΤΗΡΗΣΗΣ ΣΤΟ ΦΟΡΤΙΣΤΗ ΜΠΑΤΑΡΙΩΝ.**
- Ελέγχετε ότι η πρίζα διαθέτει γείωση προστασίας.
- Στα μοντέλα δεν που διαθέτουν γείωση, συνδέστε ρευματολήπτες κατάλληλης απόδοσης προς την τιμή της ασφάλειας τήξης που αναγράφεται στην πινακίδα.

## 2. ΕΙΣΑΓΩΓΗ ΚΙΑ ΓΕΝΙΚΗ ΠΕΡΙΓΡΑΦΗ

- Αυτός ο φορτιστής μπαταριών επιτρέπει τη φόρτιση μπαταριών μολύβδου με ελεύθερο ηλεκτρολίτη που χρησιμοποιούνται σε κινητήρες αυτοκινήτων (βενζίνη και ντίζελ), μοτοσικλές, σκάφη κλπ.
- Το ρεύμα που παρέχεται από την εγκατάσταση ελαττώνεται κατά την χαρακτηριστική καμπύλη W ed θ σύμφωνα με τον κανονισμό DIN 41774.
- Το δοχείο όπου εγκαθίσταται έχει βαθμό προστασίας IP 20 και προστατεύεται από επαφές έμμεσου τύπου με αγωγό γείωσης, όπως προδιαγράφεται για τις συσκευές κατηγορίας I.

### 3. ΕΓΚΑΤΑΣΤΑΣΗ

#### ΠΡΟΕΙΔΩΜΑΣΙΑ (Εικ.Α)

- Αποσυνεχίστε το φορτιστή, εκτελέστε τη συναρμολόγηση των διαφόρων τμημάτων που περιέχονται στη συσκευασία.
- Τα μποντέλα με καρότιο πρέπει να εγκατασταθούν σε κάθετη θέση.

#### ΤΟΠΟΘΕΤΗΣΗ ΤΟΥ ΦΟΡΤΙΣΤΗ

- Κατά τη λειτουργία τοποθετήστε σε σταθερό μέρος το φορτιστή και βεβαιωθείτε ότι δεν φράζεται ο αέρας που περνάει από τις ειδικές σχισμές και ότι εξασφαλίζεται επαρκής αερισμός.

#### ΣΥΝΔΕΣΗ ΣΤΟ ΔΙΚΤΥΟ

- Ο φορτιστής πρέπει να συνδεθεί αποκλειστικά σε σύστημα τροφοδοσίας με ουδέτερο γειωμένο αγωγό.
- Ελέγξτε ότι η τάση δικτύου αντιστοιχεί στην τάση λειτουργίας.
- Η γραμμή τροφοδοσίας πρέπει να είναι εφοδιασμένη με συστήματα προστασίας, όπως ασφάλειες ή αυτόματους διακόπτες, επαρκείς για να αντέχεται η μέγιστη απορρόφηση της εγκατάστασης.
- Η σύνδεση στο δίκτυο πρέπει να εκτελείται με κατάλληλο καλώδιο.
- Ενδεδειγμένες προεκτάσεις του καλωδίου τροφοδοσίας πρέπει να έχουν κατάλληλη διάμετρο και, οπωσδήποτε, όχι κατώτερη από εκείνη του προμηθευμένου καλωδίου.
- Είναι πάντα απαραίτητο να γειώνεται την εγκατάσταση χρησιμοποιώντας τον κίτρινο-πράσινο αγωγό τροφοδοσίας, που σημαδεύεται από την ετικέτα (⊕), ενώ οι άλλοι δύο αγωγοί θα πρέπει να συνδεθούν στο δίκτυο τάσης.
- Η αλλαγή τάσης πραγματοποιείται από την ειδική βάση αλλαγής στάσης που προσεγγίζεται αφαιρώντας το πίσω μέρος της μηχανής (FIG. E).

### 4. ΛΕΙΤΟΥΡΓΙΑ

#### ΠΡΟΕΙΔΩΜΑΣΙΑ ΓΙΑ ΤΗ ΦΟΡΤΙΣΗ

**ΠΡΟΣΟΧΗ: Πριν εκτελέσετε τη φόρτιση, ελέγξτε ότι η ικανότητα των μπαταριών (Ah) που θέλετε να φορτίσετε δεν είναι κατώτερη από εκείνη που αναγράφεται στην πινακίδα (C min).**

**Ακολουθήστε τις ενδείξεις τηρώντας προσεκτικά την παρακάτω ενδεδειγμένη σειρά.**

- Αφαιρέστε τα καλώδια της μπαταρίας αν υπάρχουν ώστε να απομακρυνθούν τα αέρια που παράγονται κατά τη φόρτιση.
- Ελέγξτε ότι η στάθμη του ηλεκτρολύτη σκεπάζεται τις πλάκες των μπαταριών. Αν αυτές δεν είναι σκεπασμένες, προσθέστε απεσταγμένο νερό μέχρι να βυθιστούν τις 5-10 mm.



**ΠΡΟΣΟΧΗ: ΔΩΣΤΕ ΤΗ ΜΕΓΙΣΤΗ ΠΡΟΣΟΧΗ ΚΑΤΑ ΑΥΤΗΝ ΤΗΝ ΕΝΕΡΓΕΙΑ ΔΙΟΤΙ Ο ΗΛΕΚΤΡΟΛΥΤΗΣ ΕΙΝΑΙ ΕΝΑ ΟΞΥ ΑΚΡΩΣ ΔΙΑΒΡΩΤΙΚΟ.**

- Υπενθυμίζεται ότι η κατάσταση φόρτισης μπορεί να καθοριστεί με ακριβεία μόνο χρησιμοποιώντας ένα πυκνόμετρο, το οποίο επιτρέπει τη μέτρηση της ειδικής πυκνότητας του ηλεκτρολύτη. Ενδεδεικτικά ισχύουν οι ακόλουθες τιμές πυκνότητας διαλύματος (Kg/l σε 20°C):

1.28 = μπαταρία φορτισμένη.

1.21 = μπαταρία ημιφορτισμένη.

1.14 = μπαταρία εκφορτισμένη.

- Με καλώδιο τροφοδοσίας αποσυνδεδεμένο από το δίκτυο συνδέστε τους ακροδέκτες φορτίου σε συνάρτηση της ονομαστικής τάσης της μπαταρίας που θα φορτιστεί, τοποθετήστε το διακόπτη σε θέση φόρτισης και το τάιμερ στη θέση κανονικού φορτίου.

- Ελέγξτε την πολικότητα των ακροδέντων της μπαταρίας: θετικό το σύμβολο + και αρνητικό το σύμβολο -.
- ΣΗΜΕΙΩΣΗ: αν τα σύμβολα δεν ξεχωρίζονται υπενθυμίζεται ότι ο θετικός ακροδέκτης είναι εκείνος μη συνδεδεμένος στο πλαίσιο της μηχανής.

- Συνδέστε τη λαβίδα φορτίου κόκκινη στον θετικό ακροδέκτη της μπαταρίας (σύμβολο +).

- Συνδέστε τη λαβίδα μαύρη στο πλαίσιο της μηχανής, μακριά από την μπαταρία και από τον αγωγό καύσιμου.

- ΣΗΜΕΙΩΣΗ: αν η μπαταρία δεν εγκαθίσταται στη μηχανή, συνδεθείτε κατευθείαν στον αρνητικό ακροδέκτη της μπαταρίας (σύμβολο -).

#### ΦΟΡΤΙΟ

- τροφοδοτήστε το φορτιστή μπαταριών βάζοντας το καλώδιο τροφοδοσίας στην πρίζα δικτύου και τοποθετώντας σε ON το διακόπτη (αν υπάρχει).

- Το αμπερόμετρο (αν υπάρχει) δείχνει το ρεύμα (σε Ampere) φορτίου της μπαταρίας κατά αυτήν την φάση θα παρατηρηθεί ότι η ένδειξη του αμπερόμετρου ελαττώνεται αργά μέχρι πολύ χαμηλές τιμές σε συνάρτηση της ικανότητας και των συνθηκών μπαταρίας.

**Εικ.Β**

**ΣΗΜΕΙΩΣΗ:** Όταν η μπαταρία θα είναι φορτισμένη θα μπορείτε επίσης να παρατηρήσετε μια έναρξη «βρασιού» του υγρού που περιέχεται στην μπαταρία. Συμβουλευτείτε να διακρίψετε τη φόρτιση στην αρχή αυτού του φαινομένου ώστε να αποφύγετε ζημιές στην μπαταρία.

Επιλέξτε μέσω του μεταγωγικού διακόπτη την τιμή ρεύματος φόρτισης βάση του τύπου συσσωρευτή και της σχετικής κατάστασης φόρτισης. Η τιμή αυτή δείχνεται από το αμπερόμετρο, κλίμακα με χαμηλότερη τιμή. Υπενθυμίζεται ότι η αργή φόρτιση λγνύεται για μεγαλύτερη διάρκεια της μπαταρίας εφόσον την θερμαίνει λιγότερο αποφεύγοντας οξειδώσεις των πλάκων και βρασμό του ηλεκτρολύτη.

Η ιδανική τιμή ρεύματος είναι 1/10 της ικανότητας σε Ampere/ώρα της μπαταρίας. Παράδειγμα, για μια μπαταρία 40 Ampere η ιδανική τιμή φορτίου είναι 4 Ampere.

#### Ταυτόχρονη φόρτιση περισσότερων μπαταριών.

Εκτελέστε με τη μεγαλύτερη αυτήν την ενέργεια: ΠΡΟΣΟΧΗ: μην φορτίζετε μπαταρίες ικανότητας, φόρτισης και τυπολογίας διαφορετικές μεταξύ τους.

Αν πρέπει να φορτίσετε περισσότερες μπαταρίες συγχρόνως, μπορείτε να εκτελέσετε συνδέσεις «σε σειρά» ή «παράλληλες». Ανάμεσα στα δυο συστήματα συνιστάται η σύνδεση σε σειρά γιατί με αυτόν τον τρόπο μπορεί να ελεγχθεί το ρεύμα που κυκλοφορεί σε κάθε μπαταρία που θα αναλογεί σε εκείνη που δείχνεται από το αμπερόμετρο.

**ΣΗΜΕΙΩΣΗ:** Σε περίπτωση σύνδεσης σε σειρά δυο μπαταριών με ονομαστική τάση 12V, ΠΡΕΠΕΙ να θέσετε το φορτιστή σε θέση 24V.

**Εικ. C**

#### ΤΕΛΟΣ ΦΟΡΤΙΣΗΣ

- Αφαιρέστε την τροφοδοσία από το φορτιστή μπαταρίας θέτοντας στο OFF το διακόπτη (εάν υπάρχει) και/ή αφαιρώντας το καλώδιο τροφοδοσίας από την πρίζα του δικτύου.

- Αποσυνδέστε τη λαβίδα φορτίου μαύρη από το πλαίσιο της μηχανής ή από τον αρνητικό ακροδέκτη της μπαταρίας (σύμβολο -).

- Αποσυνδέστε τη λαβίδα φορτίου κόκκινη από το πλαίσιο της μηχανής ή από τον θετικό αρνητικό ακροδέκτη της μπαταρίας (σύμβολο +).

- Τοποθετήστε το φορτιστή μπαταριών σε στεγνό μέρος.

- Κλείστε ξανά τα καλώδια της μπαταρίας με τα ειδικά μώματα (αν υπάρχουν).

#### ΕΚΚΙΝΗΣΗ

**Βεβαιώνεται πριν την εκκίνηση του οχήματος ότι ο συσσωρευτής είναι καλά συνδεδεμένος στους αντίστοιχους ακροδέκτες (+ και -) και ότι είναι σε καλή κατάσταση (οχι σουλφονικός ή με βλάβη).**

**Μην εκτελείτε κατά απόλυτο τρόπο εκκίνησης οχημάτων με συσσωρευτές αποσυνδεδεμένους από τους αντίστοιχους ακροδέκτες. Η παρουσία του συσσωρευτή είναι καθοριστική για την αφαίρεση ενδεχόμενων υπερτάσεων που θα μπορούσαν να προκληθούν λόγω της ενέργειας που συγκεντρώνεται στα καλώδια σύνδεσης κατά τη φάση εκκίνησης.**

Για την εκκίνηση θέστε το μετατροπέα (αν υπάρχει) ή τον εκτροπέα σε θέση εκκίνησης σε τάση αντίστοιχη με εκείνη του οχήματος. Είναι αναγκαίο, πριν στρέψετε το κλειδί εκκίνησης, να εκτελέσετε μια γρήγορη φόρτιση 5-10 λεπτών διότι αυτό θα διευκολύνει πάρα πολύ την εκκίνηση. **Η ενέργεια γρήγορης φόρτισης πρέπει να εκτελείται απολύτως με το φορτιστή σε θέση φόρτισης και OXI εκκίνησης.**

Η εκκίνηση θα πραγματοποιηθεί βέβαιοντα το πλήκτρο του ελέγχου εξ αποστάσεως (μόνο για τριφασικά).

Το παρεχόμενο ρεύμα αναγράφεται στην κλίμακα του αμπερόμετρου μεγαλύτερης ικανότητας.



**ΠΡΟΣΟΧΗ: Πριν συνεχίσετε τηρήστε προσεκτικά τις προειδοποιήσεις των κατασκευαστών οχημάτων!**

- Βεβαιώνεται ότι η γραμμή τροφοδοσίας προστατεύεται με ασφάλειες ή αυτόματους διακόπτες μίας αντίστοιχης με εκείνη που αναγράφεται στην πινακίδα με σύμβολο (☐).

- Για να αποφύγετε υπερθερμάνσεις του φορτιστή συσσωρευτή, εκτελέστε την ενέργεια εκκίνησης τηρώντας ΚΑΤΑ ΑΠΟΛΥΤΟ ΤΡΟΠΟ τους κύκλους έργου/παύσης που αναγράφονται πάνω στη συσκευή (παράδειγμα: START 3s ON 120s OFF-5 CYCLES). Μην επιμένετε αν η μηχανή του οχήματος δεν εκκινείται: θα μπορούσατε έτσι να βλάψετε σοβαρά το συσσωρευτή ή ακόμα και το ηλεκτρικό σύστημα του οχήματος.

#### 5. ΠΡΟΣΤΑΣΙΕΣ ΤΟΥ ΦΟΡΤΙΣΤΗ ΜΠΑΤΑΡΙΩΝ (Εικ. D)

Ο φορτιστής μπαταριών προβλέπει μια προστασία που επεμβαίνει σε

#### περίπτωση:

- Υπερφόρτισης (υπερβολική παροχή ρεύματος προς την μπαταρία).
- Βραχυκυκλώματος (λαβίδες φορτίου σε επαφή μεταξύ τους).
- Αντιστροφή πολικότητας στους ακροδέκτες της μπαταρίας.
- Στις εγκαταστάσεις εφοδιασμένες με ασφάλειες είναι απαραίτητο, σε περίπτωση αντικατάστασης, να χρησιμοποιήσετε ανάλογα ανταλλακτικά με ίδια τιμή ονομαστικού ρεύματος.



**ΠΡΟΣΟΧΗ:** Αντικαταστήστε την ασφάλεια με τιμές διαφορετικές από εκείνες που αναγράφονται στην πινακίδα, θα μπορούσε να προκαλέσει βλάβες σε πρόσωπα και πράγματα. Για τον ίδιο λόγο, αποφεύγετε κατά απόλυτο τρόπο την αντικατάσταση της ασφάλειας με γέφυρες από χαλκό ή άλλο υλικό.

Η ενέργεια αντικατάστασης της ασφάλειας πρέπει να εκτελείται πάντα με το καλώδιο τροφοδοσίας ΑΠΟΣΥΝΔΕΔΕΜΕΝΟ από το δίκτυο.

#### 6. ΧΡΗΣΙΜΕΣ ΣΥΜΒΟΥΛΕΣ

- Καθαρίστε τους ακροδέκτες θετικό και αρνητικό από ενδεχόμενα εναποθέματα οξειδίου ώστε να εξασφαλίζεται η καλή επαφή των λαβίδων.
- Αποφεύγετε κατά απόλυτο τρόπο να θέσετε σε επαφή τις δυο λαβίδες όταν ο φορτιστής είναι συνδεδεμένος στο δίκτυο. Σε αυτήν την περίπτωση προκαλείται η καύση της ασφάλειας.
- Αν η μπαταρία με την οποία θέλετε να χρησιμοποιήσετε αυτόν τον φορτιστή είναι μόνιμα τοποθετημένη σε αυτοκίνητο, συμβουλευτείτε και το χειρίδιο χρήσης και/συντήρησης του αυτοκινήτου στο κεφάλαιο »ΗΛΕΚΤΡΙΚΗ ΕΓΚΑΤΑΣΤΑΣΗ» ή »ΣΥΝΤΗΡΗΣΗ». Κατά προτίμηση αποσυνδέστε, πριν εκτελέσετε τη φόρτιση, το θετικό καλώδιο που αποτελεί μέρος της ηλεκτρικής εγκατάστασης του αυτοκινήτου.
- Ελέγξτε την τάση της μπαταρίας πριν την συνδέσετε στον φορτιστή, υπενθυμίζεται ότι 3 πύματα σημαίνει μπαταρία 6Volt, 6 πύματα 12Volt. Σε ορισμένες περιπτώσεις μπορούν να υπάρχουν δυο μπαταρίες 12Volt σε σειρά, στην περίπτωση αυτή απαιτείται μια τάση 24Volt για να φορτίσει αμφοτέρους τους συσσωρευτές. Βεβαιωθείτε ότι έχουν ίδια χαρακτηριστικά για να αποφύγετε ανισορροπία στη φόρτιση.
- Πριν από μια εκκίνηση εκτελέστε μια γρήγορη φόρτιση διάρκειας μερικών λεπτών: αυτό θα περιορίσει το ρεύμα εκκίνησης απορροφώντας λιγότερο ρεύμα από το δίκτυο. Βεβαιώνετε την εκκίνηση του οχήματος ότι ο συσσωρευτής είναι καλά συνδεδεμένος στους αντίστοιχους ακροδέκτες (+ και -) και ότι είναι σε καλή κατάσταση (όχι σουλφονικός ή με βλάβη). Μην εκτελείτε κατά απόλυτο τρόπο εκκινήσεις οχημάτων με συσσωρευτές αποσυνδεδεμένους από τους αντίστοιχους ακροδέκτες. Η παρουσία του συσσωρευτή είναι καθοριστική για την αφαίρεση ενδεχόμενων υπερτάσεων που θα μπορούσαν να προκληθούν λόγω της ενέργειας που συγκεντρώνεται στα καλώδια σύνδεσης κατά τη φάση εκκίνησης.
- Μην επιμένετε αν η εκκίνηση δεν πραγματοποιείται αλλά περιμένετε μερικά δευτερόλεπτα και επαναλάβετε την ενέργεια γρήγορης φόρτισης.
- Οι εκκινήσεις πρέπει να εκτελούνται πάντα με τοποθετημένο συσσωρευτή, βλέπε παράγραφο ΕΚΚΙΝΗΣΗ.

(RO)

#### MANUAL DE INSTRUCȚIUNI



**ATENȚIE: CITIȚI CU ATENȚIE ACEST MANUAL DE INSTRUCȚIUNI ÎNAINTE DE FOLOSIREA ÎNCĂRCĂTORULUI DE BATERII!**

#### 1. MĂSURI DE SIGURANȚĂ GENERALE PENTRU UTILIZAREA ACESTUI ÎNCĂRCĂTOR DE BATERII



- În timpul încărcării se emană gaz exploziv, evitați flăcările deschise și formarea scântei. FUMATUL INTERZIS.
- Poziționați bateriile în încărcător într-un spațiu aerisit.



- **Persoanele fără experiență trebuie să fie instruite corespunzător înainte de a folosi aparatul.**
- **Aparatul poate fi utilizat de copiii în vârstă de peste 8 ani și de persoane cu capacități fizice, senzoriale sau mentale reduse sau fără experiența sau cunoștințele necesare, cu condiția să fie sub supraveghere sau după ce au primit instrucțiuni privind folosirea sigură a aparatului și înțelegerea pericolelor inerente acestuia.**
- **Copiii nu trebuie să se joace cu aparatul.**
- **Curățarea și întreținerea care se efectuează de către utilizator nu trebuie efectuată de copiii nesupravegheați.**
- Folosiți încărcătorul de baterii exclusiv în interior și asigurați-vă că acesta funcționează în medii bine aerisite. NU EXPUNEȚI APARATUL LA PLOI SAU LA ZĂPADĂ.
- Deconectați cablul de alimentare de la rețea înainte de a conecta sau a deconecta cablurile de încărcare de la baterie.
- Nu conectați sau deconectați clemele încărcătorului la/de la bornele bateriei cu acesta în funcțiune.
- Nu folosiți niciodată încărcătorul de baterii în interiorul unui vehicul sau al portbagajului.
- Înlocuiți cablul de alimentare numai cu un cablu original.
- În cazul în care cablul de alimentare este deteriorat, acesta trebuie să fie înlocuit de fabricant sau de serviciul acestuia de asistență tehnică sau, oricum, de către o persoană cu o calificare similară, pentru a preveni orice risc.
- Nu folosiți încărcătorul de baterii pentru baterii care nu sunt reincărcabile.
- Verificați ca tensiunea de alimentare disponibilă să corespundă cu cea indicată pe placa indicatoare a aparatului.
- Pentru a nu defecta electronica vehiculului, citiți, păstrați și respectați în totalitate măsurile de precauție furnizate de producătorul vehiculului respectiv atunci când se folosește încărcătorul de baterii, atât atunci când este pornit cât și atunci când încarcă; același lucru este valabil pentru indicațiile furnizate de producătorul bateriilor.
- Acest încărcător de baterii conține părți precum intrerupători sau releu, care pot provoca arcuri sau scântei; de aceea în cazul în care se utilizează într-un garaj sau într-un mediu similar, amplașați aparatul într-un spațiu izolat sau protejați-l cu o acoperitoare adecvată.
- Orice intervenție de reparație sau de întreținere în interiorul încărcătorului de baterii trebuie să fie efectuată numai de către personal calificat.
- **DEBRANȘAȚI ÎNTOTDEAUNA CABLUL DE ALIMENTARE DE LA REȚEA ÎNAINTE DE A EFECTUA ORICE INTERVENȚIE DE ÎNȚEȚINERE A ÎNCĂRCĂTORULUI.**
- Verificați ca prizele să dispună de o legătură de protecție de punere la pământ.
- La modelele care nu sunt dotate cu acest lucru, conectați ștecăre cu o valoare corespunzătoare valorii siguranței indicate pe plăcuță.

#### 2. INTRODUCERE ȘI DESCRIERE GENERALĂ

- Acest încărcător de baterii permite încărcarea bateriilor cu plumb cu electrolit lichid folosite pe vehiculele cu motor (benzină și diesel), motocicletele, ambarcațiunile, etc.
- Curentul de încărcare furnizat de aparat scade în funcție de curba caracteristică W și conform normelor DIN 41774.
- Recipientul în care se instalează încărcătorul de baterii are un grad de protecție IP 20 și este protejat de contacte indirecte printr-un fir de împământare, după cum este prezentat în cazul aparatelor de clasa I.

### 3. INSTALARE PREGĂTIRE (FIG. A)

- Scoateți încărcătorul de baterii din ambalajul său original și montați piesele aferente prezente în ambalaj.
- Modelele cu roți se instalează în poziție verticală.

### POZIȚIONAREA ÎNCĂRCĂTORULUI DE BATERII

- În timpul funcționării, poziționați aparatul pe o suprafață stabilă și asigurați-vă că nu se blochează trecerea aerului prin deschizăturile corespunzătoare și că se garantează o bună ventilație.

### CONECTAREA LA REȚEAUA DE ALIMENTARE

- Încărcătorul de baterii trebuie să fie conectat numai la un sistem de alimentare cu conductor de nul legat la pământ. Verificați ca tensiunea de rețea să fie cea corespunzătoare tensiunii de funcționare.
- Rețeaua de alimentare trebuie să fie dotată cu sisteme de protecție precum siguranțe sau întrerupătoare automate, suficiente pentru a suporta curentul maxim absorbit de aparat.
- Conectarea la rețea trebuie să se efectueze cu un cablu corespunzător.
- Eventuale prelungitoare ale cablului de alimentare trebuie să aibă o secțiune transversală adecvată și oricum niciodată inferioară cablului furnizat.
- Este obligatoriu ca aparatul să aibă o legătură de punere la pământ, folosind conductorul de culoare galben-verde a cablului de alimentare, contrasemnat cu eticheta (⊕), pe când ceilalți doi conductori se vor conecta la rețeaua de alimentare.
- Schimbarea tensiunii se realizează prin intermediul tabloului cu borne corespunzător la care se accesează prin înlăturarea (FIG. E).

### 4. FUNCȚIONARE PREGĂTIREA PENTRU ÎNCĂRCARE

**NB.: Înainte de a începe operația de reîncărcare a bateriilor, verificați dacă capacitatea bateriilor (Ah) care trebuie să fie reîncărcate nu este inferioară celei indicate pe tablă (C min.).**

**Efectuați operația respectivă urmând cu strictețe ordinea indicațiilor de mai jos.**

- Înlăturați eventualele capace de pe baterie (dacă există), astfel încât gazele care se degajă în timpul reîncărcării să se poată evapora.
- Controlați ca nivelul electrolitului să acopere plăcile bateriei; dacă acestea sunt descoperite, adăugați apă distilată până când electrolitul va acoperi cu 5-10 mm plăcile.



**ATENȚIE! AVEȚI MARE GRIJĂ ÎN TIMPUL ACESTOR OPERAȚII DEOARECE ELECTROLITUL ESTE UN ACID CU UN POTENȚIAL COROSIV FOARTE RIDICAT.**

- Vă reamintim că nivelul exact de încărcare al bateriilor poate fi determinat numai prin folosirea unui densimetru care permite măsurarea densității specifice a electrolitului; în acest sens, sunt valabile următoarele valori indicative de densitate a soluției (Kg/l la 20°C):  
1,28 = baterie încărcată;  
1,21 = baterie parțial încărcată;  
1,14 = baterie descărcată;
- Cu cablul de alimentare deconectat de la priza de rețea, conectați clemele de încărcare în funcție de tensiunea nominală a bateriei de încărcat, poziționați comutatorul în poziția de încărcare și activați temporizatorul pe poziția de încărcare normală.
- Verificați polaritatea bornelor bateriei: pozitiv, simbolul „+” și negativ, simbolul „-”.
- **OBSERVAȚIE:** dacă simbolurile nu sunt vizibile, rețineți că borna pozitivă este cea neconectată la cadrul vehiculului.
- Conectați clemă de încărcare de culoare roșie la borna pozitivă a bateriei (simbolul +).
- Conectați clemă de încărcare de culoare neagră la cadrul mașinii, departe de baterie și de conductele de carburant.
- **OBSERVAȚIE:** dacă bateria nu este instalată în mașină, conectați direct la borna negativă a bateriei (simbolul „-”).

### REÎNCĂRCAREA

- Alimentați încărcătorul de baterii introducând cablul în priza de alimentare.
- Ampermetrul (dacă există) indică curentul (în amperi) de încărcare a bateriei. În timpul acestei operații se va observa că acul ampermetrului va scade spre valori foarte scăzute în funcție de capacitatea și de condițiile bateriei.

Fig. B

**OBSERVAȚIE:** Când bateria este încărcată se va mai putea remarca un fenomen de „fierbere” al lichidului din baterie. Se recomandă întreruperea

operației de încărcare imediat ce acest fenomen a apărut, pentru a evita avarierea bateriei.

Alegeți prin intermediul comutatorului valoarea actuală de încărcare în baza tipului de acumulator și al stării sale de încărcare; această valoare este semnalată de ampermetru, scala cu valoarea mai redusă. Reamintim că o încărcare lentă oferă garanția unei durate mai mari a bateriei deoarece o încălzește mai puțin, evitând oxidarea plăcilor și fierberea electrolitului. Valoarea ideală a curentului corespunde cu 1/10 din capacitatea de încărcare în Amperi/oră a bateriei. De exemplu, în cazul unei baterii de 40 de Amperi, valoarea ideală de încărcare este de 4 Amperi.

### Încărcare simultană a mai multor baterii

Efectuați cu maximă atenție acest tip de operație.

**ATENȚIE:** nu încărcați baterii de capacități, descărcare și tipologie diferite între ele.

Când este necesară încărcarea mai multor baterii în același timp, se poate opta pentru legături în „serie” sau în „paralel”. Dintre cele două tipuri se recomandă legătura în serie, deoarece în acest mod se poate controla curentul circulant în fiecare baterie care va fi similar celui semnalat de ampermetru.

**NOTĂ:** În cazul legăturii în serie a două baterii având tensiunea nominală de 12V, redresorul TREBUIE predispus în poziția 24V.

Fig. C

### SFĂRȘITUL OPERAȚIEI DE ÎNCĂRCARE A BATERIEI

- Scoateți cablul încărcătorului de baterii din priza de alimentare.
- Deconectați clemă neagră a încărcătorului de la cadrul mașinii sau de la borna negativă a bateriei (simb. „-”).
- Deconectați clemă de încărcare de culoare roșie de la borna pozitivă a bateriei (simb. „+”).
- Depozitați încărcătorul de baterii într-un loc uscat și ferit de umezeală.
- Închideți găurile bateriei cu capacele corespunzătoare (dacă există).

### PORNIREA

**Înainte de a efectua pornirea vehiculului, asigurați-vă că bateria este cuplată bine la bornele respective (+ și -) și că se află în stare bună (nu este sulfată și nu este defectă).**

**Nu efectuați în nici un caz porniri ale vehiculelor cu baterii decuplate de la bornele respective; prezența bateriei este determinantă pentru eliminarea eventualelor supratensiuni ce s-ar putea crea ca efect al energiei acumulate în cablurile de legătură în timpul fazei de pornire.** Pentru pornire, dispuneți comutatorul (dacă este prezent) sau conectorul în poziția de pornire la tensiunea corespunzătoare celei a vehiculului de pornit.

Este indispensabil, înainte de acționarea cheii de pornire, să efectuați o încărcare rapidă de 5-10 minute, aceasta va ușura foarte mult pornirea.

**Operația de încărcare rapidă trebuie efectuată neapărat cu redresorul în poziția de încărcare și NU de pornire.**

Pornirea va avea loc apăsând butonul comenzii la distanță (numai pentru model trifazat).

Curentul debitat este indicat de scara ampermetrului cu o capacitate mai mare.



**ATENȚIE: Înainte de acționa, citiți cu atenție recomandările fabricanților acestor vehicule!**

- Asigurați-vă că ați protejat linia de alimentare cu siguranțe fuzibile sau cu întrerupătoare automate cu valoarea corespunzătoare indicate pe plăcuța de identificare prin simbolul (—|—).
- Pentru a evita supraîncălzirea redresorului, efectuați operația de pornire respectând STRICT ciclurile de lucru/pauză indicate pe aparat (de exemplu: START 3s ON 120s OFF-5 CYCLES). Nu insistați mai mult decât motorul vehiculului nu pornește: în acest fel s-ar putea compromite în mod serios bateria sau chiar echipamentul electric al vehiculului.

### 5. PROTECȚIILE ÎNCĂRCĂTORULUI DE BATERII (FIG. D)

Încărcătorul de baterii este dotat cu o protecție care intervine dacă:

- Este pericol de supraîncărcare (transmitere excesivă de curent spre baterie).
- Este pericol de scurtcircuit (clemele de încărcare fac contact între ele).
- Se inversează polaritatea la bornele bateriei.
- La aparatele dotate cu siguranțe, în cazul schimbării acestora, este obligatorie folosirea pieselor de schimb similare, care au aceeași valoare de curent nominală.



**ATENȚIE: Încuirea unei siguranțe cu curent nominal diferit de cel indicat pe placă poate provoca accidentarea persoanelor sau deteriorarea obiectelor. Din același motiv,**

**evitați în mod absolut înlocuirea siguranțelor cu punți de cupru sau alte materiale.**

**Operația de înlocuire a siguranței se va efectua întotdeauna cu cablul de alimentare DECONNECTAT de la rețea.**

## 6. SFATURILE UTILE

- Curățați bornele pozitivă și negativă de eventualele depuneri de oxid pentru a asigura un bun contact cu clemele.
  - Evitați la modul absolut să puneți în contact cele două cleme când încărcătorul este conectat la rețeaua de alimentare. În caz contrar se arde siguranța.
  - Dacă bateria cu care se intenționează să se folosească acest încărcător de baterii este tot timpul conectată la un vehicul, consultați și manualul de instrucțiuni și/sau de întreținere al vehiculului respectiv, la capitolul „INSTALAȚIE ELECTRICĂ” sau „ÎNȚREȚINERE”. Înainte de a trece la operația de încărcare, se recomandă deconectarea cablului pozitiv care face parte din instalația electrică a vehiculului.
  - Verificați tensiunea bateriei înainte de a o conecta la încărcătorul de baterii; vă amintim că bateria cu 3 capace are 6 Volți, iar cea cu 6 capace are 12 Volți. În anumite cazuri pot exista două baterii de 12 Volți în serie; în acest caz este nevoie de o tensiune de 24 de Volți pentru a încărca ambele acumulatori. Asigurați-vă că acestea au aceleași caracteristici pentru a evita dezechilibrul încărcării.
  - Înainte de a efectua pornirea efectuați întotdeauna o încărcare rapidă cu durata de câteva minute: acest lucru va limita curentul de pornire, fiind necesar de asemenea mai puțin curent de la rețea. Înainte de a efectua pornirea vehiculului, asigurați-vă că bateria este cuplată bine la bornele respective (+ și -) și că se află în stare bună (nu este sulfatată și nu este defectă).
- Nu efectuați în nici un caz porniri ale vehiculelor cu baterii decuplate de la bornele respective; prezența bateriei este determinantă pentru eliminarea eventualelor supratensiuni ce s-ar putea crea ca efect al energiei acumulate în cablurile de legătură în timpul fazei de pornire.
- Dacă pornirea nu are loc, nu insistați, ci așteptați câteva minute și repetați operația de încărcare rapidă.
  - Pornirile trebuie efectuate neapărat cu bateria bine conectată, a se vedea paragraful PORNIREA.

(SV)

## BRUKSANVISNING



**VIKTIGT: LÄS BRUKSANVISNINGEN NOGGRANNT INNAN NI ANVÄNDER BATTERILADDAREN**

### 1. ALLMÄNNA SÄKERHETSANVISNINGAR FÖR ANVÄNDNINGEN AV DENNA BATTERILADDARE



- Under laddningen avger batterierna explosiva gaser. Förhindra att lågor och gnistor bildas. RÖK EJ.
- Placera de batterier som ska laddas på en väl ventilerad plats.



- **Vid brist av kunskap ska personer instrueras innan apparaten används.**
- **Apparaten får lov att användas av barn över 8 år och av personer med nedsatt fysisk, sensorisk eller mental förmåga, eller med bristande erfarenhet och kunskap förutsatt att de får tillsyn eller har fått instruktioner om hur apparaten ska användas på ett säkert sätt och förstår vilka risker det innebär.**
- **Barn får inte leka med apparaten.**
- **Rengöringen och underhållet som tillkommer användaren får inte utföras av barn utan tillsyn.**
- Använd batteriladdaren uteslutande inomhus och försäkra er om att ventilationen är god: UTSÄTT INTE LADDAREN FÖR REGN ELLER SNÖ.
- Drag alltid först ur stickkontakten ur eluttaget innan laddningskablarna ansluts till eller lossas från batteriet.
- Anslut eller frånkoppla inte batteriladdarens tänger till eller från batteriet när batteriladdaren är i funktion.
- Använd absolut inte batteriladdaren inuti ett fordon eller i motorutrymmet.
- Byt endast ut matningskabeln mot en originalkabel.
- Om elkabeln är skadad ska den bytas ut av tillverkaren eller av tillverkarens tekniska servicecenter, eller av en person som har likvärdig behörighet, för att förhindra eventuella risker.
- Använd inte batteriladdaren för att ladda ej laddningsbara batterier.
- Kontrollera att den tillgängliga matningsspänningen motsvarar den som indikeras på skylten på batteriladdaren.
- För att inte skada fordonens elektroniska system ska man läsa, spara och noggrannt följa de anvisningar som tillhandahålls av fordonstillverkaren, både när man använder batteriladdaren för laddning och för start. Detsamma gäller för anvisningarna från batteritillverkaren.
- Denna batteriladdare innehåller delar som strömbrytare och reläer, som kan framkalla ljusbågar eller gnistor. Om laddaren används på en bilverkstad eller liknande bör den således placeras på en säker och för ändamålet lämplig plats.
- Reparations- eller underhållsingrepp inne i batteriladdaren får endast utföras av kunnig personal.
- **TA ALLTID BORT NÄTKABELN FRÅN ELUTTAGET INNAN NÅGON FORM AV UNDERHÅLLSÅTGÄRD INLEDS PÅ BATTERILADDAREN.**
- Kontrollera att eluttaget är utrustat med en jordanslutning.
- Till de modeller som inte är utrustade med denna typ av skydd, ska man ansluta en stickpropp vars kapacitet är lämplig för reläns värde, som indikeras på skylten.

### 2. INLEDNING OCH ALLMÄN BESKRIVNING

- Denna batteriladdare är avsedd för laddning av blyackumulatorer på motorfordon (bensin- och dieseldrivna), motorcyklar, båtar, osv. .
- Apparaten laddningsström minskar enligt den karakteristiska W-kurvan och överensstämmer med DIN-normen 41774.
- Batteriladdarens hölje har skyddsklass IP 20 och är skyddat mot indirekta kontakter av en jordledare i enlighet med gällande föreskrifter för apparater av klass I.

### 3. INSTALLATION

#### IODNINGSTÄLLNING (FIG.A)

- Packa upp batteriladdaren och montera dit de demonterade delarna som finns i förpackningen.
- Modeller med vagn skall installeras i upprättstående läge.

## PLACERING AV BATTERILADDAREN

- Under dess funktion ska batteriladdaren placeras på ett stabilt sätt. Försäkra er om att luftgenomströmningen genom de för detta avsedda öppningarna inte hindras, dessa garanterar nämligen en god ventilation.

## ANSLUTNING TILL ELNÄTET

- Batteriladdaren får endast anslutas till ett matningssystem vars nollledare är ansluten till jord. Försäkra dig om att nätspänningen överensstämmer med funktionsspänningen.
- Elnätet skal vara utrustat med ett skyddssystem, till exempel säkring eller automatiska strömbrytare, som skall vara dimensionerade för att tåla apparatens maximala absorption.
- Anslutningen till elnätet skall utföras med en för detta avsedd kabel.
- Eventuella förlängningar av matningskabeln ska ha en lämplig sektion, som under inga omständigheter får understiga den levererade matningskabelfunktionen.
- Det är obligatoriskt att ansluta apparaten till jord. Jordanslutningen skall göras med matningskabelfunktion gul/gröna ledare som är märkt med etiketten (⊕). De andra två ledarna skall anslutas till elnätet.
- Byte av spänningen sker från en för detta avsedd klämplatta (FIG. E).

## 4. FUNKTION

### FÖRBEREDELSE INFÖR LADDNING

**OBS:** Innan laddningen sker måste du kontrollera att kapaciteten för de batterier (Ah) som du tänker ladda inte understiger den kapacitet som anges på skytten (C min).

Följ noggrant instruktionerna nedan i ordningsföljd.

- Avlägsna eventuella lock från batteriet så att de gaser som bildas under laddningen kan komma ut.

- Kontrollera att elektrolyten täcker battericellerna; om så inte är fallet ska man tillsätta destillerat vatten till en nivå på 5-10 mm över cellerna.

**VARNING! IAKTTA STÖRSTA FÖRSIKTIGHET UNDER DETTA ARBETSSKEDE EFTERSOM ELEKTROLYTEN ÄR STARKT FRÄTANDE.**

- Kom ihåg att batteriets exakta laddningsstatus endast kan fastställas med hjälp av en densitetsmätare som mäter elektrolytens densitet; följande ungefärliga densitetsvärden (kg/l vid 20°C) innebär:

- 1,28 = batteriet är laddat
- 1,21 = batteriet är laddat till hälften
- 1,14 = batteriet är urladdat

- Anslut, med stickkontakten utdragen ur nätuttaget, laddningstängerna i enlighet med den nominella spänningen för det batteri som ska laddas, ställ in omkopplaren på läget för laddning och starta timern i läget för normal laddning.

- Kontrollera batteriterminalernas polaritet: den positiva är markerad med symbolen + och den negativa med symbolen -.

OBS: om det är svårt att se symbolerna, så kom ihåg att den positiva polen är den som inte är ansluten till maskinens chassi.

- Anslut den röda klämman för laddning till batteriets positiva pol (med symbolen +).

Anslut den svarta klämman för laddning till bilens chassi, på långt avstånd från batteriet och från bränsleledningen.

OBS: om batteriet inte är installerat i bilen ska man ansluta klämman direkt till den negativa polen på batteriet (med symbolen -).

## LADDNING

- Mata batteriladdaren genom att sticka in matningskabeln i nätuttaget och vrida strömbrytaren (om sådan finns) till ON.

- Batteriladdaren kan vara försedd med en amperemeter som indikerar laddningsströmmen (i Ampere) till batteriet: under laddningen kommer amperemeterns utslag sakta att minska för att slutligen nå ett mycket lågt värde som beror på batteriets kapacitet och skick.

### FIG. B

**OBS:** När batteriet är laddat kan det inträffa att batterivätskan börjar "koka". Man bör då genast avbryta laddningen för att undvika att skada batteriet.

Välj laddningsspänning med hjälp av omkopplaren med utgångspunkt från batterityp och laddningsstatus, det valda värdet visas på amperemetern på skalan med lägst värde.

Tänk på att en långsam laddning är en god garanti för att batterierna ska hålla längre eftersom de hettas upp mindre och eftersom man på detta sätt kan undvika att plattorna oxiderar och att elektrolyten kokar. Det optimala strömvärdet är 1/10 av batteriets kapacitet mätt i

Ampere/timma. Exempel: för ett batteri på 40 Ampere är den optimala laddningsströmen 4 Ampere.

## Samtidig laddning av flera batterier

Var mycket försiktig när denna typ av laddning utförs. VIKTIGT! Ladda inte batterier med olika kapacitet, urladdningsgrad eller batterier av olika typer samtidigt.

Om flera batterier skall laddas samtidigt kan man använda sig av serie- eller parallellkoppling. Av dess två metoder är seriekoppling att föredra eftersom man på detta sätt kan kontrollera den ström som cirkulerar i varje enskilt batteri, vilket visas amperemetern.

**OBS:** Vid en seriekoppling av två batterier med en nominell spänning på 12V, MÅSTE man ställa in batteriladdaren på läget 24V.

### FIG. C

## AVSLUTNING AV LADDNING

- Koppla från matningen till batteriladdaren genom att vrida strömbrytaren (om sådan finns) till OFF och/eller genom att dra ut matningskabeln ur uttaget.
- Koppla från den svarta klämman för laddning från bilens chassi eller från den negativa polen på batteriet (med symbolen -).
- Koppla från den röda klämman för laddning från bilens positiva pol (med symbolen +).
- Placera batteriladdaren på en torr plats.
- Stäng batteriets celler igen med de för detta avsedda locken (om sådana finns).

## START

Innan man startar fordonet ska man kontrollera att batteriet är korrekt anslutet till de motsvarande polerna (+ och -) och att det är i gott skick (inte sulfaterat och inte trasigt).

Man får absolut inte starta fordon som har batteriets poler fränkopplade; att batteriet är tillkopplat är avgörande för att eventuella överspänningar som skulle kunna orsaka på grund av energi som anhopas i anslutningskablar vid start ska kunna elimineras.

För att starta ska man placera omkopplaren (i förekommande fall) eller strömställaren på läget för inkoppling av spänning till fordonet som man ska starta.

Innan startnyckeln vrids om är det nödvändigt att man utför en snabbstart på 5-10 minuter, om detta görs kommer starten att underlättas oerhört. **Den här snabbstartningen måste göras med batteriladdaren ställd på laddning och INTE på start.**

Man startar genom att trycka på den fjärrstyrda knappen (gäller enbart trefas).

Driftspänningen anges på amperemeterns skala med den högsta kapaciteten.



**VARNING: Innan man fortsätter ska man noggrant observera anvisningarna som fordonets tillverkare anger!**

- Kontrollera att matarledningen är skyddad med hjälp av säkringar eller automatiska brytare med samma värden som de som anges med symbolen (—).

För att förhindra att batteriladdaren överhettas ska startens arbetscykel utföras genom att NOGRANT följa de arbets- och pauscykler som anges på apparaten (till exempel: START 3s ON 120s OFF-5 CYCLES). Om motorn inte startar ska man inte fortsätta försöket: i annat fall skulle man faktiskt kunna orsaka allvarliga skador på batteriet eller på fordonets elektriska utrustning.

## 5. SKYDDA BATTERILADDAREN (FIG. D)

Batteriladdaren är försedd med säkerhetsanordningar som utlöses vid:

- Överbelastning (för hög laddningsström till batteriet).
- Kortslutning (laddningsklämmorna är i kontakt med varandra).
- Felvända plus- och minuspoler.
- På apparat försedd med säkringar måste, vid ett eventuellt byte, en säkring av motsvarande typ och värde användas.



**VIKTIGT: Var noga med att använda en säkring med det värde som anges på batteriladdarens skylt för att undvika risk för skador på person eller sak. Byt, av samma anledning, aldrig ut säkringen mot bryggare av koppar eller dylikt. Byte av säkring ska göras med stickproppen UTDRAGEN ur eluttaget.**

## 6. RÅD

- Rengör den positiva och den negativa klämman från eventuella oxidavlagringar så att god kontakt erhålles.
- Se till att de två tängerna absolut inte kommer i kontakt med varandra

- när batteriladdaren är ansluten till elnätet. Om så sker går säkringen.
- Om batteriladdaren ska användas till ett fast monterat batteri i ett fordon bör även fordonets instruktionsbok konsulteras, se kapitlet "ELEKTRISKT SYSTEM" eller "UNDERHÅLL". Innan laddningen påbörjas är det lämpligt att koppla från den positiva batterikabeln som tillhör fordonets elektriska system från batteriet.
- Kontrollera batteriets spänning innan det ansluts till batteriladdaren. Kom ihåg att ett batteri på 6 volt har 3 batterilock och att ett 12-volts batteri har 6 lock.
- I vissa fall kan det finnas två seriekopplade batterier på 12 Volt, i detta fall krävs en spänning på 24 Volt för att ladda båda akkumulatörerna. Försäkra er om att de har samma egenskaper, för att undvika obalans i laddningen.
- Innan start ska man göra en snabbbladdning som varar några minuter: detta kommer att begränsa startspänningen och därmed krävs mindre ström från nätet. Innan man startar fordonet ska man inte glömma att kontrollera att batteriet är korrekt anslutet till de motsvarande polerna (+ och -) och att det är i gott skick (inte sulfaterat och inte trasigt).
- Fordon som har batteriets poler fränkopplade får absolut inte startas; att batteriet är tillkopplat är avgörande för att eventuella överspänningar som skulle kunna skapas p.g.a. energi som anhopas i anslutningskablarna vid start ska kunna elimineras.
- Om starten inte sker ska man inte fortsätta att försöka starta, utan vänta i några minuter och sedan upprepa snabbbladdningen.
- Start ska alltid göras med tillkopplat batteri, se paragraf START.

(CS)

#### NÁVOD K POUŽITÍ



**UPOZORNĚNÍ: PŘED POUŽITÍM NABÍJEČKY AKUMULÁTORŮ SI POZORNĚ PŘEČTĚTE NÁVOD K POUŽITÍ!**

#### 1. ZÁKLADNÍ BEZPEČNOSTNÍ POKYNY PRO POUŽITÍ TĚTO NABÍJEČKY AKUMULÁTORŮ



- Během nabíjení se z akumulátorů uvolňují výbušné plyny, a proto zabraňte vzniku plamenů a jisker. NEKURŤTE.
- Umístěte nabíjený akumulátor do větraného prostoru.



- Osoby, které nemají zkušenosti se zařízením, by měly být před jeho používáním vhodně vyškoleny.**
- Zařízení může být používáno dětmi ve věku nejméně 8 let a osobami se sníženými fyzickými, senzoryckými nebo mentálními schopnostmi, nebo osobami bez zkušeností či potřebných znalostí, za předpokladu, že jsou pod dozorem, nebo že jim byly poskytnuty pokyny ohledně bezpečného použití zařízení a ohledně pochopení souvisejících nebezpečí.**
- Děti se nesmí hrát se zařízením.
- Čištění a údržba zařízení, kterou má provést uživatel, nesmí být prováděna dětmi a bez dozoru.**
- Nabíječku akumulátorů používejte pouze uvnitř a ujistěte se, že ji používáte v dobře větraných prostorech: NEVYSTAVUJTE DEŠTI NEBO SNEHU.
- Před zapojením nebo odpojením nabíjecích kabelů od akumulátoru odpojte napájecí kabel ze sítě.
- Nepřipojujte ani neodpojujte kleště k/od akumulátorů během činnosti nabíječky akumulátorů.
- V žádném případě nepoužívejte nabíječku akumulátorů uvnitř vozidla nebo v prostoru motoru.
- Napájecí kabel nahradte pouze originálním kabelem.
- Když je napájecí kabel poškozen, musí být vyměněn výrobcem, jeho servisní službou nebo osobou s podobnou kvalifikací a s cílem zabránit jakémukoli riziku.
- Nepoužívejte nabíječku akumulátorů pro nabíjení akumulátorů, které nelze nabíjet.
- Zkontrolujte, zda napájecí napětí, které je k dispozici, odpovídá napětí uvedenému na identifikačním štítku nabíječky akumulátorů.
- Abyste při použití nabíječky akumulátorů k nabíjení i ke startování nepoškodili elektroniku vozidel, pozorně si přečtěte, uschovejte a dodržujte upozornění dodaná výrobcem samotných vozidel; to samé

- platí i pro pokyny dodané výrobcem akumulátorů.
- Součástí této nabíječky akumulátorů jsou komponenty, jako např. vypínače nebo relé, které mohou vyvolat vznik oblouku nebo jiskry; proto při použití nabíječky akumulátorů v autolíně nebo v podobném prostředí uložte nabíječku do místnosti nebo do obalu vhodného k tomuto účelu.
- Zásahy do vnitřních částí nabíječky akumulátorů v rámci oprav nebo údržby mohou provádět pouze zkušený personál.



**PŘED VYKONÁNÍM JAKÉHOKOLI ZÁKROKU ÚDRŽBY NABÍJEČKY AKUMULÁTORŮ ODPOJTE NAPÁJECÍ KABEL ZE SÍTĚ.**

- Zkontrolujte, zda je zásuvka vybavena ochranným uzemněním.
- U modelů, které jím nejsou vybaveny, připojujte k zásuvce zástrčky vhodné proudové kapacity odpovídající hodnotě pojistky uvedené na štítku.

#### 2. ÚVOD A ZÁKLADNÍ POPIS

- Tato nabíječka akumulátorů umožňuje nabíjení olovených akumulátorů s volným elektrolytem, používaných v motorových vozidlech (benzínových i naftových), motocyklech, plavidlech, atd.
- Nabíjecí proud dodávaný zařízením klesá podle křivky W a v souladu s normou DIN 41774.
- Skiří, ve které je nainstalován, je charakterizována stupněm ochrany IP 20 a je chráněna proti přímému i nepřímému dotyku prostřednictvím zemního vodiče v souladu s předpisem pro přístroj třídy I.

#### 3. INSTALACE MONTÁŽ (OBR. A)

- Rozbalte nabíječku akumulátorů a proveďte montáž oddělených částí nacházejících se v obalu.
- Modely s vozíkem se instalují do svislé polohy.

#### UMÍSTĚNÍ NABÍJEČKY AKUMULÁTORŮ

- Umístěte nabíječku akumulátorů tak, aby se během své činnosti nacházela ve stabilní poloze, a ujistěte se, že nic nebrání přístupu vzduchu příslušným otvorům, a že je tedy zaručena dostatečná ventilace.

#### PŘIPOJENÍ DO SÍTĚ

- Nabíječka akumulátorů musí být připojena výhradně k napájecímu systému s uzemněným nulovým vodičem. Zkontrolujte, zda napětí sítě odpovídá provoznímu napětí.
- Napájecí vedení bude muset být vybaveno ochrannými systémy, jako např. pojistkami nebo automatickými vypínači, schopnými snášet maximální proudovou zátěž zařízení.
- Připojení do sítě musí být provedeno použitím příslušného kabelu.
- Případně prodlužovací kabely napájecího kabelu musí mít vhodný průřez, který nesmí být v žádném případě menší než průřez dodaného kabelu.
- Je povinností uzemnit přístroj s použitím žlutozeleného vodiče napájecího kabelu, označeného štítkem (+), zatímco ostatní vodiče budou připojeny k rozvodu napětí.
- Změna napětí se provádí prostřednictvím příslušné svorkovnice pro změnu napětí (FIG. E).

#### 4. ČINNOST

##### PŘÍPRAVA K NABÍJENÍ

**POZN.: Před pristoupením k nabíjení se přesvědčte, zda kapacita akumulátorů (Ah), které hodláte nabíjet není nižší než kapacita uvedená na identifikačním štítku (C min).**

**Vykonajte jednotlivé operace dle pokynů přísně dodržující níže uvedený postup.**

- Odmontujte kryty akumulátorů (jsou-li součástí), aby se mohly uvolnit plyny vznikající při nabíjení.
- Zkontrolujte, zda hladina elektrolytu zakrývá mřížky emulátorů; v případě, že jsou odhaleny, dolijte destilovanou vodu tak, aby zůstaly ponořené 5-10 mm.



**UPOZORNĚNÍ! VĚNUJTE TĚTO OPERACI MAXIMÁLNÍ POZORNOST, PROTOŽE ELEKTROLYT JE TVOŘEN VYSOCE KOROSIVNÍ KYSELINOU.**

- Připomínáme, že přesný stav nabíti akumulátorů může být určen pouze s použitím hustoměru, který umožňuje změřit specifickou hustotu elektrolytu; orientačně platí následující hodnoty hustoty roztoku (kg/l při 20 °C):  
1.28 = nabíjený akumulátor;  
1.21 = polonabíjený akumulátor;  
1.14 = vybitý akumulátor.
- Při napájecím kabelu odpojeném ze sítě zapojte nabíjecí svorky podle jmenovitého napětí napájeného akumulátoru, přepněte přepínač



do polohy odpovídající nabíjení a přepněte časovač do polohy odpovídající běžnému nabíjení.

- Zkontrolujte polaritu svorek akumulátorů: Kladný pól označený symbolem + a záporný pól označený symbolem -.
- **POZNÁMKA:** Když se symboly neshodují, pamatujte, že kladný pól je ten, který není připojen k podvozku auta.
- Připojte nabíjecí kleště červené barvy ke kladnému pólu akumulátoru (symbol +).
- Připojte nabíjecí kleště černé barvy k podvozku auta, v dostatečné vzdálenosti od akumulátoru a od palivového rozvodu.
- **POZNÁMKA:** Když akumulátor není nainstalován v autě, vykonejte připojení přímo k zápornému pólu akumulátoru (symbol -).

## NABÍJENÍ

- Zajistěte nabíjení nabíječky akumulátoru připojením nabíjecího kabelu do sítě.
- Ampérmetr (je-li součástí) ukazuje proud (v ampérech) nabití akumulátorů: Během této fáze bude možné pozorovat, že údaj na ampérmetru se pomalu zmenší až na velmi nízké hodnoty, v návaznosti na kapacitu a podmínky akumulátoru.

### OBR. B

**POZNÁMKA:** Když je akumulátor nabitý, bude také možné pozorovat vznik „varu“ kapaliny nacházející se v akumulátoru. Doporučuje se přerušit nabíjení již při vzniku tohoto jevu, aby se předešlo poškození akumulátoru.

Prostřednictvím přepínače zvolte hodnotu proudu podle druhu akumulátoru a stavu jeho nabití. Tato hodnota bude zobrazena ampérmetrem na stupnici s nižší hodnotou. Nezapomeňte na to, že pomalé nabíjení je zárukou vyšší životnosti akumulátoru, protože se při něm akumulátor méně ohřívá a tím se zabraňuje oxidaci desek a varu elektrolýtu. Ideální hodnota proudu odpovídá 1/10 kapacity akumulátoru vyjádřené v Ampérech/hodinu. Například pro akumulátor s kapacitou 40 Ampér je ideální hodnotou nabíjecího proudu hodnota 4 Ampér.

## Současné nabíjení více akumulátorů

Provádění této operace věnujte maximální pozornost: UPOZORNĚNÍ: nenabíjete současně akumulátory odlišného druhu, s odlišnou kapacitou nebo vybíjením.

V případě, že je třeba nabit více akumulátorů současně, můžete použít „sériové“ nebo „paralelní“ zapojení. Z obou možných systémů doporučujeme zvolit sériové zapojení, které umožňuje kontrolu proudu proudícího v každém z akumulátorů, protože jeho hodnota bude odpovídat proudu znázorněnému ampérmetrem.

**POZNÁMKA:** V případě sériového zapojení dvou akumulátorů s jmenovitým napětím 12V je TŘEBA nastavit nabíječku do polohy 24V.

### OBR. C

## UKONČENÍ NABÍJENÍ

- Odpojte napájení nabíječky akumulátorů odpojením napájecího kabelu ze sítě.
- Odpojte nabíjecí kleště černé barvy od podvozku auta nebo ze záporného pólu akumulátoru (symbol -).
- Odpojte nabíjecí kleště červené barvy z kladného pólu akumulátoru (symbol +).
- Uložte nabíječku akumulátoru na suché místo.
- Zavřete články akumulátoru příslušnými uzávěry (jsou-li součástí).

## STARTOVÁNÍ

**Před zahájením startování vozidla se ujistěte, že je akumulátor správně připojen k příslušným svorkám (+ a -) a že se nachází v dobrém stavu (nedošlo v něm k vytvoření siranu a není vadný).**

**V žádném případě neprovádějte startování vozidel s akumulátory odpojenými od příslušných svorek; přítomnost akumulátoru je určující pro odstranění případných přepětí, která by mohla vzniknout díky energii nahromaděné ve spojovacích kabelech během startování.**

Při startování přepněte přepínač (je-li součástí) nebo vypínač do polohy startování s napětím odpovídajícím startovanému prostředku.

Před otočením klíče zapalování je nezbytné provést rychlé nabití, které trvá 5-10 minut, aby se výrazně usnadnilo samotné startování. **Operace rychlého nabití musí být provedena výhradně s nabíječkou v poloze nabíjení, NIKOLI v poloze startování.**

Startování se spouští stisknutím tlačítka dálkového ovládání (pouze u třífázového provedení).

Poskytovaný proud je zobrazován na stupnici ampérmetru s vyšší

kapacitou.



**UPOZORNĚNÍ: Před zahájením startování se důkladně seznámte s upozorněními výrobce vozidel!**

- Ujistěte se, že je napájecí vedení chráněno pojistkami nebo automatickými jističi s hodnotou odpovídající jmenovité hodnotě uvedené na štítku a označené symbolem ( $\text{---}$ ).
- Aby se předešlo přehřátí nabíječky, provádějte operace startování za PŘÍSNÉHO dodržení cyklů pracovní činnosti/pauzy, uvedených na zařízení (příklad: STARTOVÁNÍ 3s ZAPNUTÍ 120s VYP-5 CYKLŮ) V případě, že motor vozidla nebude nastartován, nepokračujte v pokusech o nastartování: Skutečně by mohlo dojít k vážnému poškození akumulátoru nebo dokonce k poškození elektroinstalace vozidla.

## 5. OCHRANNÁ ZAŘÍZENÍ NABÍJEČKY AKUMULÁTORŮ (OBR. D)

Nabíječka akumulátorů je vybavena ochranou, která zasahuje v případě:

- Přetížení (nadměrný proud dodávaný do akumulátoru).
- Zkrat (nabíjecí kleště jsou vzájemně spojeny).
- Záměna polarit na svorkách akumulátoru.
- U zařízení vybavených pojistkami je v případě jejich výměny povinné použití obdobných pojistek se stejnou jmenovitou hodnotou proudu.



**UPOZORNĚNÍ: Výměna pojistky za jinou s odlišnými hodnotami proudu než jsou hodnoty uvedené na identifikačním štítku by mohlo způsobit škody na zdraví a majetku. Ze stejného důvodu se bezpodmínečně vyhněte nahrazování pojistky měděnými přemosťovacími dráty nebo jiným materiálem.**

**Operace výměny pojistky musí být po každé provedena s napájecím kabelem ODPOJENÝM ze sítě.**

## 6. PRAKTICKÉ RADY

- Vyčistěte svorky kladného a záporného pólu od možných nánosů oxidu, abyste zajistili dobrý kontakt kleští.
- Jednoznačně se vyhněte přímému spojení dvou kleští, když je nabíječka akumulátorů zapnuta do sítě. V takovém případě dojde k vypálení pojistky.
- Když je akumulátor, který se má nabíjet nabíječkou akumulátorů, pevně vložen do vozidla, seznámte se také s návodem k použití a/nebo údržbě vozidla, konkrétně s částí „ELEKTROINSTALACE“ nebo „ÚDRŽBA“. Před zahájením nabíjení je vhodné odpojit kladný kabel, tvořící součást elektroinstalace vozidla.
- Před připojením akumulátoru k nabíječce zkontrolujte jeho napětí; připomínáme, že 3 uzávěry charakterizují akumulátor s napětím 6 Voltů, 6 uzávěrů akumulátor s napětím 12 Voltů. V některých případech se může jednat o dva akumulátory s napětím 12 Voltů, zapojené do série; v takovém případě je k současnému nabíjení obou akumulátorů potřebné napětí 24 Voltů. Ujistěte se, že se oba akumulátory vyznačují stejnými vlastnostmi, abyste předešli nerovnoměrnému nabíjení.
- Před startováním proveďte rychlé nabití trvající několik minut: Toto opatření sníží startovací proud a omezí tak proudový odběr ze sítě. Před zahájením startování vozidla se ujistěte, že je akumulátor správně připojen k příslušným svorkám (+ a -) a že se nachází v dobrém stavu (nedošlo v něm k vytvoření siranu a není vadný).
- V žádném případě neprovádějte startování vozidel s akumulátory odpojenými od příslušných svorek; přítomnost akumulátoru je určující pro odstranění případných přepětí, která by mohla vzniknout díky energii nahromaděné ve spojovacích kabelech během startování.
- Když nedojde k nastartování, netrvjte na něm, ale vyčkejte několik minut a zopakujte úkon rychlého nabití.
- Startování se provádí vždy při zapnutém akumulátoru viz odstavec STARTOVÁNÍ.

PRIRUČNIK ZA UPOTREBU



**POZOR: PRIJE UPOTREBE PUNJAČA ZA BATERIJE POTREBNO JE PAŽLJIVO PROČITATI PRIRUČNIK ZA UPOTREBU!**

**1. OPĆA SIGURNOST PRILIKOM UPOTREBE OVOG PUNJAČA ZA BATERIJE**



- Tijekom punjenja baterije ispuštaju eksplozivne plinove, potrebno je izbjegavati stvaranje plamena i iskre. ZABRANJENO JE PUŠENJE.
- Potrebno je staviti baterije na punjenje u dobro prozračenom mjestu.



- **Neiskusne osobe moraju dobiti prikladnu obuku prije upotrebe uređaja.**
- **Aparat mogu koristiti djeca od 8 i više godina starosti kao i osobe sa smanjenim fizičkim, osjetnim i psihičkim sposobnostima ukoliko su pod nadzorom ili pak nakon što su obučene za sigurno korištenje aparata i ukoliko su shvatile opasnosti koje mogu nastati prilikom uporabe istog.**
- **Djeca se ne smiju igrati aparatom.**
- **Čišćenje i održavanje koje treba izvršiti korisnik ne smiju vršiti djeca bez nadzora odraslih.**
- Punjač baterija se mora koristiti isključivo u unutarnjim prostorijama i potrebno je provjeriti da su prostorije dobro prozračene: NE SMIJE SE IZLAGATI NA KIŠI ILI SNJEGU.
- Isključiti kabel za napajanje iz priključka prije priključivanja ili isključivanja kablova za napajanje baterije.
- Ne smiju se priključivati ili isključivati hvataljke na bateriju dok je punjač baterija uključen.
- Nikako se ne smije upotrebljavati punjač baterija unutar vozila ili haube.
- Kabel za napajanje je potrebno zamijeniti isključivo originalnim kablom.
- Ako je kabel za napajanje oštećen, isti mora zamijeniti proizvođač ili njegov servis za tehničku asistenciju odnosno osoba koja ima sličnu kvalifikaciju kako ne bi nastali rizici.
- Ne smije se koristiti punjač za baterije sa punjenje baterija koje se ne mogu ponovno puniti.
- Provjeriti da napon napajanja na raspolaganju odgovara naponu navedenom na na pločici sa podacima na punjaču baterija.
- Kako bi se izbjeglo oštećenje elektroničke vozila, potrebno je pažljivo pročitati, sačuvati i poštivati napomene koje navode proizvođači vozila, kada se upotrebljava punjač tijekom punjenja kao i prilikom pokretanja; isto vrijedi i za napomene koje navodi proizvođač baterija.
- Ovaj punjač baterija sadrži dijelove kao na primjer prekidače ili releje, koji mogu izazvati strujne krugove ili iskre; stoga ako se upotrebljava u garaži ili u sličnom ambijentu, odložiti punjač u prostoru ili kutiji koja je prikladna za tu svrhu.
- Popravke ili servisiranje unutarnjeg dijela punjača mogu vršiti isključivo stručne osobe.



**UVIJEK ISKOPČAJTE KABEL ZA NAPAJANJE IZ MREŽE PRIJE VRŠENJA BILO KOJEG ZAHVATA ODRŽAVANJA NA PUNJAČU AKUMULATORA.**

- Provjeriti da utičnica ima zaštitno uzemljenje.
- Kod modela koji to predviđaju, spojiti utičnice nosivosti prikladne vrijednosti osigurava navedenoj na pločici.

**2. UVOD I OPĆI OPISI**

- Ovaj punjač omogućuje punjenje olovnih baterija sa slobodnim elektrolitom korištenih u motornim vozilima (benzin ili dizel), motociklima, čamcima, itd.
- Struja napajanja koju proizvodi uređaj smanjuje se po karakterističnoj krivulji W i u skladu sa odredbom DIN 41774.
- Kućište u kojoj je postavljen ima stupanj zaštite IP 20 i zaštićen je od neizravnih dodira putem sprovodnika za uzemljenje propisanog za aparate klase I.

**3. POSTAVLJANJE OPREMANJE (SLIKA A)**

- Ukloniti ambalažu sa punjača baterije, postaviti odvojene dijelove koji

se nalaze u ambalaži.

- Modeli na kotače moraju biti postavljeni uspravno.

**POLAGANJE PUNJAČA BATERIJE**

- Tijekom rada postaviti punjač u stabilan položaj i uvjeriti se da se ne krči prolaz zraka kroz prikladne otvore osiguravajući dovoljnu ventilaciju.

**SPAJANJE NA MREŽU**

- Punjač mora biti priključen isključivo sistemu napajanja sa neutralnim sprovodnikom sa uzemljenjem.
- Provjeriti da je napon mreže isti naponu rada.
- Linija napajanja mora imati zaštitne sisteme, kao na primjer osigurače ili automatske prekidače, dovoljne za održavanje maksimalne absorpcije uređaja.
- Spajanje na mrežu mora biti izvršeno putem prikladnog kabla.
- Eventualni proizdući kabla napajanja moraju imati prikladnim presjekom, a u svakom slučaju nikada manjim od presjeka dostavljenog kabla.
- Uvijek je obavezno obezbjediti uzemljenje aparata, koristeći žuto-zeleni sprovodnik kabla za napajanje, označen etiketom ( $\perp$ ), dok ostala dva sprovodnika moraju biti spojeni na naponsku mrežu.
- Napon se mjenja posebnim podnožjem za mjenjanje napona (FIG. E).

**4. RAD**

**PRIPREMA ZA PUNJENJE**

**POZOR: Prije počinjanja punjenja, provjeriti da je kapacitet baterija (Ah) koje se moraju puniti nije manji od kapaciteta navedenog na pločici (C min).**

**Izvršiti navedene upute pažljivo prateći dolje navedeni red.**

- Ukloniti poklopce baterije (ako su prisutni), tako da plinovi koji se stvaraju prilikom punjenja mogu izlaziti.
- Provjeriti da razina elektrolita prekriva ploče baterije; ako su pločice otkrivene dodati destiliranu vodu dok se ne urone za 5-10 mm.



**POZOR! POTREBNA JE MAKSIMALNA PAŽNJA TIJEKOM OVE RADNJE S OZBIROM DA JE ELEKTROLIT VRLO KOROZIVNA KISELINA.**

- Podsjećamo da se točno stanje punjenosti baterije određuje samo upotrebljavajući denzimetar, koji omogućuje mjerenje specifične gustoće elektrolita; indikativno vrijede slijedeće vrijednosti gustoće rastvorene tvari (Kg/l na 20°C):  
1.28 = napunjena baterija;  
1.21 = polunapunjena baterija;  
1.14 = prazna baterija.
- Sa isključenim kablom za napajanje, prispojiti pritezače ovisno o nominalnom naponu baterije koja se mora napuniti, postaviti komutator na položaj punjenja i postaviti upravljač vremena na položaj normalnog punjenja.
- Provjeriti polaritet pritezača baterije: pozitivan simbol + i negativan simbol -.
- **NAPOMENA:** ako se simboli ne mogu razabrati, podsjeća se da je pozitivan pritezač onaj koji nije spojen na šasiju vozila.
- Spojiti crvenu hvataljku za napajanje na pozitivni pritezač baterije (simbol +).
- Spojiti crnu hvataljku za napajanje na šasiju vozila, daleko od baterije i cijevi za gorivo.
- **NAPOMENA:** ako baterija nije postavljena u vozilu, potrebno je direktno se spojiti na negativni pritezač baterije (simbol -).

**PUNJENJE**

- Punjač se napaja priključkom kabla za napajanja na mrežu.
- Ampermetar (ako je prisutan) označuje struju (u Amperima) punjenja baterije: tijekom ove faze može se primjetiti da se vrijednost na amperometru smanjuje lagano do vrlo niskih vrijednosti ovisno o sposobnosti i uvjeta baterije.

**FIG. B**

**NAPOMENA:** Kada je baterija napunjena može se primjetiti početak "vrenja" tekućine unutar baterije. Savjetuje se da se prekine punjenje već na samom početku tog fenomena kako bi se izbjeglo oštećenja na bateriji.

Upravljačem vremena odabrati tekuću vrijednost punjenja, ovisno o vrsti akumulatora i o njegovom stanju punjenja, ta vrijednost se prenosi amperometru, ljestvica sa nižom vrijednosti. Podsjećamo da sporije punjenje osigurava duže trajanje baterije jer je manje zagrijava, izbjegavajući oksidaciju ploča i vrenje elektrolita. Idealna vrijednost struje je 1/10 nosivosti u amperima/sat baterije. Na primjer, za bateriju od 40 ampera idealna je vrijednost 4 ampera.

## Simultano punjenje više baterija

Tijekom takve radnje potreban je maksimalni oprez: POZOR; ne smiju se puniti baterije koje međusobno nemaju isti kapacitet, pražnjenje ili nisu iste vrste.

Ako se mora puniti više baterija istovremeno, mogu se koristiti "serijski" ili "paralelni" priključci. Između dva sistema, savjetuje se serijski priključak jer se njime omogućava provjera struje koja kruži unutar svake baterije, koja je slična struji označenoj na ampermetru.

**NAPOMENA:** U slučaju serijskog priključka dvaju baterija sa nominalnim naponom od 12V, MORA SE osposobiti punjač baterije na položaj 24V.

### SLIKA C

## KRAJ PUNJENJA

- Prekinuti napon punjača, isključujući kabel iz utičnice.
- Isključiti crnu hvataljku za punjenje sa šasije vozila ili sa negativnog pritezača baterije (simbol -).
- Isključiti crvenu hvataljku za napajanje sa pozitivnog pritezača baterije (simbol +).
- Odložiti punjač baterija na suho mjesto.
- Začepiti ćelije baterije sa prikladnim čepovima (ako su prisutni).

## PALJENJE

Prije paljenja vozila provjeriti da je baterija ispravno spojena na odgovarajuće pritezače (+ e -) i da je u dobrom stanju (da nije sulfirana i da nije pokvarena).

Ne smiju se nikako paliti vozila ako njihove baterije nisu spojene na odgovarajuće pritezače; prisutnost baterije je ključna za uklanjanje eventualnog prekomjernog napona uslijed nakupljene energije u kablovima za spajanje tijekom paljenja.

Za paljenje potrebno je postaviti komutator (ako je prisutan) ili devijator na položaj paljenja pod naponom koji odgovara naponu vozila koji se mora paliti.

Prije okretanja ključa prilikom paljenja, neophodno je izvršiti brzo punjenje u trajanju od 5-10 minuta, to će uvelike olakšati paljenje. **Brzo punjenje mora biti striktno izvršeno sa punjačem baterije na položaju punjenja a NE paljenja.**

Paljenje će biti izvršeno pritiskom na tipku za daljinsko upravljanje (samo za trofazne).

Isporučena struja se očitava na skali ampermetra sa većim kapacitetom.



**POZOR: Prije nastavljnja pažljivo poštivati upute koje navode proizvođač vozila!**

- Provjeriti da je sustav napajanja zaštićen osiguračima ili automatskim sklopovima koji imaju istu vrijednost kao ona navedena na pločici sa simbolom (—).
- Kako bi se izbjeglo pregrijavanje punjača baterije, izvršiti paljenje STRIKTNO se pridržavajući radnih ciklusa i ciklusa mirovanja koji su navedeni na stroju (primjer: START 3s ON 120s OFF-5 CYCLES). Ne smije se dalje inzistirati ako se motor vozila ne pali: naime mogla bi se ozbiljno oštetiti baterija ili čak električna instalacija vozila.

## 5. ZAŠTITE PUNJAČA BATERIJE (FIG. D)

Punjač baterija ima zaštitu koja se uključuje u slučaju:

- Preopterećenja (prekomjerni protok struje prema bateriji).
- Kratkog spoja (hvataljke za napajanje dolaze u međusobni dodir).
- Inverzija polariteta na pritezačima baterije.
- Kod uređaja sa osiguračima, u slučaju zamjene obavezno je upotrebljavati slične rezervne dijelove sa istom nominalnom vrijednošću struje.



**POZOR: Zamijeniti osigurač sa vrijednostima struje različitim od onih navedenih na pločici, moglo bi prouzrokovati oštećenja kod osoba ili stvari. Zbog istog je razloga potrebno izrazito izbjegavati zamjenu osigurača sa mostovima od bakra ili drugog materijala.**

**Zamjena osigurača mora uvijek biti izvršena sa ISKLJUČENIM kablom za napajanje iz struje.**

## 6. KORISNI SAVJETI

- Očistiti pozitivan i negativan pritezač od mogućih oksidacija tako da se omogući dobar kontakt hvataljki.
- Potrebno je izbjegavati kontakt između dvaju hvataljka kada je punjač uključen u struju. Došlo bi do pregoravanja osigurača.
- Ako je baterija za koju se želi koristiti ovaj punjač baterije neprestalno uključena na vozilo, potrebno je i konzultirati priručnik za uputstva i/ili servisiranje vozila, poglavlje "ELEKTRIČNI SUSTAV" ili "SERVISIRANJE". Po mogućnosti bolje je, prije počimanja punjenja, isključiti napravu koja je

sastavni dio električnog sustava vozila.

- Provjeriti napon baterije prije nego što se priključi na punjač baterije, podsjećamo da je baterija sa 3 čepa od 6Volta, 6 čepova 12Volta. U pojedinim slučajevima mogu postojati dvije baterije od 12Volta serijski spojene, u tom slučaju potreban je napon od 24Volta za punjenje oba akumulatora. Provjeriti da imaju iste osobine kako bi se izbjegla uneravnoteženost punjenja.
- Prije paljenja izvršiti brzo punjenje na nekoliko minuta: tako će se ograničiti struja za paljenje, zahtijevajući manje struje iz mreže. Potrebno je provjeriti prije paljenja vozila da je baterija ispravno spojena na odgovarajuće pritezače (+ i -) i da je u dobrom stanju (da nije sulfirana i da nije pokvarena).
- Ne smiju se nikako paliti vozila ako njihove baterije nisu spojene na odgovarajuće pritezače; prisutnost baterije je ključna za uklanjanje eventualnog prekomjernog napona uslijed nakupljene energije u kablovima za spajanje tijekom paljenja.
- Ako ne dođe do paljenja ne smije se inzistirati već je potrebno pričekati nekoliko minuta i ponoviti brzo punjenje.
- Paljenje se mora uvijek izvršiti dok je baterija uključena, vidi poglavlje PALJENJE.

(PL)

## INSTRUKCIJA OBSŁUGI



**UWAGA: PRZED ROZPOCZĘCIEM EKSPLOATACJI PROSTOWNIKA DO ŁADOWANIA AKUMULATORÓW NALEŻY UWAGNIE PRZECZYTAĆ NIEBIEJSZĄ INSTRUKCJĘ OBSŁUGI!**

## 1. OGÓLNE BEZPIECZEŃSTWO PODCZAS EKSPLOATACJI PROSTOWNIKA DO ŁADOWANIA AKUMULATORÓW




- Akumulatory podczas ładowania wydzielają gazy wybuchowe, należy unikać płomieni i iskier. **NIE PALIĆ.**
- Podczas ładowania ustawić akumulator w dobrze wietrzonym miejscu.



- **Przed użyciem urządzenia osoby niedoświadczone muszą zostać odpowiednio przeszkolone.**
- **Urządzenie może być używane przez dzieci w wieku powyżej 8 lat oraz przez osoby o ograniczonych możliwościach fizycznych, czuciowych lub umysłowych nieposiadające doświadczenia lub wymaganej wiedzy, pod warunkiem, że będą z niego korzystały pod nadzorem lub po uzyskaniu wskazań dotyczących bezpiecznego użytkowania urządzenia i zrozumienia zagrożeń z nim związanych.**
- **Nie pozwalać dzieciom bawić się urządzeniem.**
- **Czyszczenie i konserwacja, której wykonanie należy do obowiązków użytkownika nie może być wykonywane przez dzieci bez nadzoru.**
- Używać prostownika wyłącznie w dobrze wietrzonych pomieszczeniach: **NIE UŻYWAĆ NA ZEWNĄTRZ PODCZAS PADAJĄCEGO DESZCZU LUB ŚNIEGU.**
- Przed podłączeniem lub odłączeniem przewodów podczas ładowania akumulatora należy odłączyć przewód zasilający.
- Nie zakładać lub zdejmować klemy z akumulatora podczas funkcjonowania prostownika.
- Surowo zabronione jest używanie prostownika wewnątrz pojazdu lub pod pokrywką komory silnika.
- Uszkodzony przewód zasilania należy zastąpić wyłącznie przez oryginalny przewód.
- Jeżeli przewód zasilania jest uszkodzony, musi zostać wymieniony przez producenta lub przez autoryzowany przez niego serwis techniczny lub w każdym razie przez osobę posiadającą podobne kwalifikacje, w sposób zapobiegający wszelkim zagrożeniom.
- Nie używać prostownika do ładowania akumulatorów nie nadających się do ładowania.
- Sprawdzić, czy napięcie zasilania będące do dyspozycji, odpowiada napięciu podanemu na tabliczce znamionowej prostownika.
- Aby nie uszkodzić elektronicznych urządzeń pojazdów należy przeczytać, zachować i skrupulatnie stosować się do wskazań podanych przez producentów dotyczących używania prostownika.

Przestrzegać zaleceń producenta pojazdów zarówno podczas ładowania jak i uruchomienia; należy również ściśle przestrzegać zaleceń producenta akumulatorów.

- Prostownik składa się z wyłączników lub przekaźników, które mogą powodować powstawanie łuków lub iskier; dlatego też jeżeli używany jest w warsztacie samochodowym lub w innym podobnym otoczeniu, należy przechowywać w odpowiednim miejscu lub nie wyjmować z opakowania.
- Wszelkiego rodzaju naprawy lub konserwacje prostownika powinny być przeprowadzane wyłącznie przez personel przeszkolony.
-  **ODŁĄCZYĆ ZAWSZE PRZEWÓD ZASILAJĄCY OD SIECI PRZED WYKONANIEM JAKIEJKOLWIEK CZYNNOŚCI KONSERWACYJNEJ NA PROSTOWNIKU.**
- Sprawdź, czy gniazdo wtyczkowe wyposażone jest w styk ochronny.
- W modelach, które nie posiadają styku ochronnego należy podłączyć wtyczkę, o obciążalności odpowiedniej dla wartości bezpiecznika, podanej na tabliczce.

## 2. WPROWADZENIE I OGÓLNY OPIS

- Prostownik umożliwił ładowanie akumulatorów ołowiowych o swobodnym przepływie elektrolitu, przeznaczonych dla pojazdów mechanicznych (benzyna i diesel), motocykli, małych statków, itp.
- Prąd ładowania dostarczany przez urządzenie maleje w zależności od jakości charakterystycznej W i zgodnie z normą DIN 41774.
- Obudowa prostownika posiada stopień ochrony IP 20 i jest zabezpieczona przed pośrednimi kontaktami, za pomocą przewodu uziemiającego, zgodnie z zaleceniami dla urządzeń klasy I.

## 3. INSTALOWANIE

### PRZYGOTOWANIE URZĄDZENIA (RYS. A)

- Rozpakować prostownik, a następnie zamontować części odłączone, znajdujące się w opakowaniu.
- Modele na podwoziu kołowym należy zainstalować w położeniu pionowym.

### USTAWIENIE PROSTOWNIKA

- Podczas ładowania należy ustawić prostownik na stabilnej powierzchni i upewnić się, że nie zostały zatkałe odpowiednie otwory umożliwiające wentylację.

### PODŁĄCZENIE DO SIECI

- Prostownik należy podłączyć wyłącznie do sieci zasilania z uziemionym przewodem neutralnym.
- Sprawdzić, czy napięcie sieci i napięcie robocze są zgodne.
- Linia zasilania powinna być wyposażona w systemy zabezpieczenia, takie jak bezpieczniki lub wyłączniki automatyczne, wystarczające do przeniesienia maksymalnej ilości energii absorbowanej przez urządzenie.
- Przewód zasilający należy podłączyć do gniazda sieciowego.
- Ewentualne przedłużenia przewodu zasilania należy wykonywać stosując przewód o odpowiednim przekroju, nie mniejszym od przekroju używanego przewodu zasilania.
- Należy zawsze wykonać uziemienie urządzenia, wykorzystując w tym celu przewód koloru żółto-zielonego kabla zasilania, oznaczony etykietką (⊕), natomiast pozostałe dwa przewody należy podłączyć do sieci napięcia.
- Zmiana napięcia następuje za pomocą specjalnej tabliczki zaciskowej do zmiany napięć (FIG. E).

## 4. DZIAŁANIE

### PRZYGOTOWANIE DO ŁADOWANIA

**NB: Przed przystąpieniem do ładowania należy sprawdzić, czy pojemność akumulatorów (Ah), które należy ładować nie jest mniejsza od pojemności wskazanej na tabliczce (C min).**

**Postępować zgodnie z instrukcją, wykonując czynności ściśle według podanej niżej kolejności.**

- Zdjąć pokrywę akumulatora (jeżeli obecna), aby ułatwić ułatnianie się gazów wydzielanych podczas ładowania.
- Sprawdzić, czy poziom elektrolitu zakrywa płytki akumulatorów; w przeciwnym razie należy dolać destylowanej wody aż do ich zalania na 5-10 mm.



**UWAGA! ZACHOWAĆ SZCZEGÓLNA OSTROŻNOŚĆ PODCZAS TEJ OPERACJI PONIEWAŻ ELEKTROLIT JEST KWASEM BARDZO KOROZYJNYM.**

- Przypomina się, że dokładny stan naładowania akumulatora można określić jedynie przy użyciu densymetru, który umożliwia zmierzenie specyficznej gęstości elektrolitu; orientacyjnie ważne są następujące wartości gęstości substancji rozpuszczonej (Kg/l w temp. 20°C):

1.28 = akumulator naładowany;  
1.21 = akumulator częściowo wyładowany;  
1.14 = akumulator rozładowany.

- Po wyjęciu przewodu zasilającego z gniazda sieciowego podłączyć zaciski biegunowe, w zależności od napięcia znamionowego baterii przeznaczonej do naładowania, ustawić przełącznik w położeniu ładowania, następnie ustawić przekaźnik czasowy w położeniu ładowania zwykłego.
- Sprawdzić biegunowość zacisków akumulatora: dodatni symbol + i ujemny symbol -.
- UWAGA: jeżeli symbole nie różnią się między sobą, przypomina się, że zacisk dodatni jest zaciskiem nie podłączonym do podwozia pojazdu.
- Podłączyć zacisk koloru czerwonego układu ładowania do zacisku dodatniego akumulatora (symbol +).
- Podłączyć zacisk koloru czarnego układu ładowania do podwozia pojazdu, w odpowiedniej odległości od akumulatora i przewodu paliwa.
- UWAGA: jeżeli akumulator nie jest zainstalowany w pojeździe, podłączyć się bezpośrednio do zacisku ujemnego akumulatora (symbol -).

### ŁADOWANIE

- Podłączyć prostownik do przewodu zasilania.
- Amperomierz (jeżeli podłączony) wskazuje prąd ładowania akumulatora (w Amperach): podczas tej fazy można będzie zaobserwować, że wartości wskazywane przez amperomierz powoli ulegają zmniejszeniu aż do uzyskania wartości bardzo niskich, w zależności od pojemności i warunków eksploatacji akumulatora.

### RYS. B

**UWAGA:** Podczas ładowania akumulatora można także zauważyć zjawisko "wrzenia" płynu znajdującego się w akumulatorze. Zalecane jest przerwanie ładowania już na początku wrzenia celem uniknięcia uszkodzenia akumulatora.

Wybrać wartość prądu ładowania za pomocą przełącznika, w zależności od typu akumulatora i od jego stanu naładowania, ta wartość sygnalizowana jest przez amperomierz, podziałka o niższej wartości. Przypomina się, że wolne ładowanie jest gwarancją dłuższej eksploatacji baterii, ponieważ jest ona słabiej ogrzewana, co zapobiega w ten sposób utlenianiu się płytek i wrzeniu elektrolitu. Idealna wartość prądu wynosi 1/10 obciążalności prądowej baterii w amperach na godzinę. Na przykład dla 40-amperej idealna wartość ładowania wynosi 4 amper.

### Równocześnie ładowanie kilku akumulatorów

Tego rodzaju operację należy wykonać z najwyższą ostrożnością; UWAGA; nie łądować akumulatorów o różnych pojemnościach, stopniu rozładowania oraz rodzaju.

Jeżeli należy naładować kilka akumulatorów równocześnie można zastosować połączenia "szeregowe" lub "równoległe". Pomiedzy dwoma układami zalecane jest wykonanie połączenia szeregowego, ponieważ w ten sposób możliwe jest sprawdzenie prądu, krążącego w każdym akumulatorze, który będzie analogiczny jak prąd, sygnalizowany na amperomierzu.

**UWAGA:** W przypadku szeregowego połączenia dwóch akumulatorów o napięciu znamionowym 12V, NALEŻY przygotować prostownik ustawiony na 24V.

### RYS. C

### KONIEC ŁADOWANIA

- Odłączyć zasilanie prostownika wyjmując wtyczkę przewodu z gniazda sieciowego.
- Rozłączyć zacisk koloru czarnego od podwozia samochodu lub od zacisku ujemnego akumulatora (symbol -).
- Rozłączyć zacisk koloru czerwonego od zacisku dodatniego akumulatora (symbol +).
- Przenieść prostownik w suche miejsce.
- Zamknąć komory akumulatora odpowiednimi zatyczkami (jeżeli obecne).

### URUCHOMIENIE

Przed uruchomieniem pojazdu należy upewnić się, czy akumulator został prawidłowo podłączony do odpowiednich zacisków (+ i -) oraz czy jest w dobrym stanie (nie zasierzony i nie uszkodzony).

**Nie uruchamiać nigdy pojazdów, których akumulatory nie są podłączone do odpowiednich zacisków; obecność akumulatora jest decydująca w celu wyeliminowania ewentualnych przepięć, które mogłyby powstawać w wyniku energii nagromadzonej w kablach**

## Łączących podczas fazy uruchamiania.

Podczas uruchamiania należy ustawić wyłącznik (jeżeli występuje) lub przelącznik w pozycji uruchomienia, na napięciu odpowiadającym wartości pojazdu przeznaczanego do uruchomienia.

Przed obróceniem kluczyka zapłonu niezbędne jest wykonanie 5-10 minutowego szybkiego ładowania, co bardzo ułatwi uruchamianie pojazdu.

**Operacja szybkiego ładowania powinna zostać wykonana po ustawieniu prostownika w pozycji ładowania a NIE w pozycji uruchamiania.**

Uruchomienie nastąpi po wciśnięciu przycisku zdalnego sterowania (tylko dla urządzeń trójfazowych).

Prąd dostarczany zostanie wskazany na podziłce amperomierza o większym zakresie.



**UWAGA: Przed rozpoczęciem operacji należy uważnie śledzić zalecenia producentów pojazdów!**

- Upewnić się, że linia zasilania jest odpowiednio zabezpieczona przez bezpieczniki lub wyłączniki automatyczne, o wartości odpowiadającej wartości podanej na tabliczce i oznaczonej symbolem (☐).
- Aby uniknąć przegrzewania się prostowników do ładowania akumulatorów należy wykonywać operację uruchamiania ŚCIŚLE przestrzegając cykli praca/przerwa, podanych na urządzeniu (na przykład: START 3s ON 120s OFF-5 CYCLES). Nie przekraczać zaleceń, jeżeli silnik pojazdu nie zostanie uruchomiony; można spowodować poważne uszkodzenie akumulatora lub nawet oprzyrządowania elektrycznego pojazdu.

## 5. ZABEZPIECZENIA ŁADOWARKI (RYS. D)

Prostownik do ładowania akumulatorów wyposażony jest w zabezpieczenie, które zadziała w następujących przypadkach:

- Dodatkowe obciążenie (nadmierne wytwarzanie prądu dla akumulatora).
- Zwarcie (zaciski układu ładowania stykają się).
- Odwrócenie biegunowości na zaciskach akumulatora.
- W urządzeniach wyposażonych w bezpieczniki podczas wymiany należy stosować jednakowe bezpieczniki o tej samej wartości prądu znamionowego.



**UWAGA: Wymiana bezpiecznika o wartości prądu różnej od wartości podanej na tabliczce znamionowej może powodować uszkodzenia dla osób lub przedmiotów.**

**Dlatego też nie należy wymieniać bezpieczników na mostki miedziane lub wykonane z innego materiału.**

**Bezpiecznik należy wymieniać zawsze po uprzednim ODIĄCZENIU PRZEWODU zasilania z sieci.**

## 6. WSKAZÓWKI UŻYTECZNE

- Oczyszczyć kłemy dodatnie i ujemne z osadów, które mogą powstawać w wyniku utleniania się w taki sposób, aby zagwarantować odpowiednie połączenie zacisków.
- Unikać w najbardziej bezwzględny sposób zetknięcia się ze sobą dwóch zacisków, podczas gdy prostownik jest włączony do sieci, co powoduje spalanie bezpiecznika
- Jeżeli akumulator, który zamierza się podłączyć do prostownika jest zamontowany na stałe w pojeździe, należy przejrzeć również instrukcje obsługi i/lub konserwacji pojazdu, w rozdziale "INSTALACJA ELEKTRYCZNA" lub "KONSERWACJA". Przed przystąpieniem do ładowania najlepiej jest rozłączyć przewód dodatni, będący częścią instalacji elektrycznej pojazdu
- Przed podłączeniem do prostownika należy sprawdzić napięcie akumulatora, przypomina się, że 3 korki znajdują się w akumulatorze na 6Volt, natomiast 6 korków w akumulatorze na 12Volt. W niektórych przypadkach mogą występować dwa akumulatory na 12Volt połączone szeregowo, w tym przypadku do naładowania obu akumulatorów wymagane jest napięcie 24Volt. Upewnić się, że posiadają one te same parametry, aby uniknąć niewywrównoważenia ładunku.
- Przed uruchomieniem pojazdu należy wykonać szybkie ładowanie trwające kilka minut: ograniczyć to prąd uruchamiający, pobierając również mniejszą ilość prądu z sieci. Należy pamiętać, aby upewnić się przed uruchomieniem pojazdu, czy akumulator został prawidłowo podłączony do odpowiednich zacisków (+ i -) oraz czy jest w dobrym stanie (nie zasiarzony i nie uszkodzony).

Nie uruchamiać nigdy pojazdów, których akumulatory nie są podłączone do odpowiednich zacisków; obecność akumulatora jest decydująca w celu wyeliminowania ewentualnych przepieć, które mogłyby powstawać w wyniku energii nagromadzonej w kablach łączących podczas fazy uruchamiania.

- Jeżeli uruchomienie nie nastąpi nie nalegać ale odczekać kilka minut i

powtórzyć operację szybkiego ładowania.

- Uruchomienia należy zawsze wykonywać na podłączonych akumulatorach, patrz paragraf URUCHAMIANIE.

(FI)

OHJEKIRJA



**HUOMIO: LUE TÄMÄ KÄYTTÖOHJE HUOLELLISESTI ENNEN AKKULATURIN KÄYTTÄMISTÄ!**

## 1. TÄMÄN AKKULATURIN KÄYTTÖÄ KOSKEVAT YLEISET TURVALLISUUSOHJEET



- Latauksen aikana syntyy räjähtäviä kaasuja. Eliminoi liekin ja kipinämuodostusriski. ÄLÄ POLTA!
- Aseta ladattavat akut tuuletettuun tilaan.



**- Ammattiaidottomat henkilöt on koulutettava asianmukaisesti ennen laitteen käyttöä.**

**- Laitteen käyttö on sallittu vähintään 8-vuotiaille lapsille ja sellaisille henkilöille, joiden fyysinen, aistieihin liittyvä tai henkinen toimintakyky on rajoittunut tai joilla ei ole kokemusta tai tietoa laitteen käytöstä sillä ehdolla, että heitä valvotaan ja opastetaan laitteen turvalliseen käyttöön liittyen ja että he tuntevat sen käyttöön liittyvät vaarat.**

**- Lapset eivät saa leikkiä laitteella.**

**- Lapset eivät saa suorittaa säännöllistä puhdistusta ja huoltoa ilman valvontaa.**

- Käytä akkulatoria yksinomaan sisätiloissa ja tuuletta tila kunnolla: ÄLÄ ASETA LATORIA ALTIITIKSI SATEELLE JA LUMELLE!

- Vedä aina pistotulppa pois sähköasiasta ennen kuin liität latauskaapeli akun tai poistat ne siitä.

- Älä kytke tai irrota pihtejä akkulatorin käydessä.

- Älä koskaan käytä akkulatoria ajoneuvon sisällä tai moottoritilassa.

- Vaihdaakaa syöttökaapeli vain alkuperäiseen malliin.

- Anna vahingoittuneen virtajohdon vaihto valmistajan, valtuutetun teknisen huoltopalvelun tai vastaavan ammattipätevyden omaavan henkilön suorittavaksi, jotta vältyt mahdollisilta onnettomuuksilta.

- Älä käytä akkulatoria kertakäyttöisten akkujen lataamiseen.

- Tarkista, että käytettävään verkon jännitte vastaa akkulatorissa olevan kyltin tietoja.

- Ajoneuvojen elektroniikan vaurioittamisen välttämiseksi lue, säilytä ja noudata tarkasti ajoneuvojen valmistajien antamia varoituksia, kun akkulatoria käytetään lataukseen ja käynnistämiseen; sama koskee akkulatorin valmistajan antamia ohjeita.

- Tämä akkulatori sisältää osia, kuten virtakytkin ja rele, jotka voivat aiheuttaa valokaaria ja kipinöitä. Kun laturia käytetään autokorjaamolla tai vastaavassa paikassa, se pitää näin ollen sijoittaa turvalliseen ja käyttötarkoitukseen sopivaan paikkaan.

- Vain pätevä asentaja saa suorittaa akkulatorin korjaus- ja huoltoimenpiteet.



**IRROTA VIRTAJOHTO AINA VERKOSTA ENNEN AKKULATURISSA SUORITETTAVIA TOIMENPITEITÄ.**

- Tarkista, että pistoke on varustettu suojaomaadoituksella.

- Malleissa, joissa suojaomaadoitus ei ole, kytke pistokkeet kylistä ilmoitetun kokosiin sulakeisiin.

## 2. JOHDANTO JA YLEISKUVAUS

- Tällä akkulatorilla voi ladata moottoriajoneuvoissa (bensini ja dieselekäyttöiset), moottoripyörissä, veneissä, jne. käytettäviä lyijy- ja elektrolyyttiakkuja.

- Laitteen latausvirta vähenee luonteensa W-käyrän mukaisesti ja noudattaa DIN-normia 41774.

- Akkulatorin kotelolla on eristysluokka IP 20 ja se on maadoitettu luokan I laitteiden voimassaolevien määräysten mukaisesti.

## 3. ASENNUS

### VALMISTELU (KUVA A)

- Pura akkulatori pakkauksestaan, kokoa pakkauksesta löytyvät

irtonaiset osat.

- liikkuvat mallit asennetaan pystysuoraan asentoon.

#### AKKULATURIN SJOITUS

- Aseta akkulaturi käyttöön aikana tukevasti ja varmista että ilma pääsee virtaamaan aukkojen kautta riittävän tuuletuksen varmistamiseksi.

#### KYTKEMINEN SÄHKÖVERKKOON

- Akkulaturi tulee liittää ainoastaan syöttöjärjestelmiin, joissa on maadoitukseen liitetty neutraalijohdin.
- Tarkistakaa, että virtapiiriin jännite vastaa käyttöjännitettä.
- Syöttölinja tulee varustaa suojaajajärjestelmillä, kuten laitteen maksimi hitsausimutehon kattavilla automaattivarukoilla.
- Liittännän virtapiiriin tulee tapahtua asianmukaisella kaapelilla.
- Virtakaapelin mahdollisten jatkojohdintojen tulee olla vähintään yhtä suuria varsinaisen virtakaapelin kanssa.
- Laitteen maadoittaminen on aina pakollista virtakaapelin keltavihreää kaapelia käyttämällä, jonka erottaa merkistä (+), sen sijaan toiset kaksi kaapelia liitetään verkkojännitteeseen.
- Jännitteen vaihto tapahtuu jännitteenmuuntajan (FIG. E).

#### 4. KÄYTTÖ

##### VALMISTELU ENNEN LATAAMISTA

**HUOM!** Ennen latauksen aloittamista, tarkistakaa, ettei ladattavien akkujen kapasiteetti (Ah) ole kilvessä ilmoitettua kapasiteettia pienempi (C min).

Toimi annettujen ohjeiden mukaan tarkasti alla annettussa järjestyksessä.

- Irrottaa akun korkit, jos tarpeen, niin että latauksen aikana muodostuvat kaasut pääsevät ulos.
- Tarkista, että akun nestepinta peittää akun kennot; jos näin ei ole, lisää tilastuvaa vettä (5-10 mm kennojen yllä).



**VAROITUS! Noudata suuria varovaisuutta tämän toimenpiteen yhteydessä, sillä akkuhappo on erittäin syövyttävää.**

- Ota huomioon, että akkujen tarkka latauskunto voidaan päätellä vain tiheysmittarilla, joka mittaa akunesteen tiheyttä. Seuraavat tiheysarvot (kg/litra 20°) tarkoittavat:  
1,28 = akku ladattu;  
1,21 = akku puoliiksi ladattu;  
1,14 = akku lataamaton.
- Virtakaapeli verkkopistokkeesta irrotettuna kytke ladattavan akun nimellisjännitteen mukaiset latauspihdit, käännä valintakytkin latausasentoon ja säädä ajastin normaallei lataukselle.
- Tarkista akun liittimien napaisuus: symboli + positiivinen ja symboli negatiivinen.
- HUOMIO: jos symbolit eivät erotu, muista, että positiivinen liitin on se, jota ei ole liitetty auton runkoon.
- Liitä punainen latauspinne akun positiiviseen liittimeen (symboli +).
- Liitä musta latauspinne auton runkoon kauas akusta ja polttoaineputkesta.
- HUOMIO: jos akkuja ei ole asennettu autoon, suorita liittämistä suoraan akun negatiiviseen liittimeen (symb -).

#### LATAUS

- Laita virta akkulaturiin asettamalla virtakaapeli verkkopistokkeeseen sekä asettamalla katkaisin ON -asentoon (jos mukana).
- Ampeerimittari (mikali asennettu) ilmoittaa akun latausvirran (Ampeereissa): tämän vaiheen aikana voidaan havaita, että ampeerimittarin lukema laskee hitaasti erittäin alhaisiin arvoihin asti akun tilavuuden ja kennon perusteella.

**KUVA. B**

**HUOM:** Kun akkuja ladataan voi sattua, että akuneste alkaa "kiehua". Lopeta lataus välittömästi jotta levyt eivät hapetu ja akku säilyy hyvässä kunnossa.

Valitkaa 6-asentoisen muuntajan välityksellä latausjännite ladattavan akun tyyppiin ja sen latausmäärän mukaisesti. Ampeerimittari ilmoittaa kyseisen arvon.

Muistakaa, että hidas lataus edesauttaa akun kestävyttä, sillä se kuumentaa akkuja vähemmän välttämättä näin laattojen hapettumista ja akkuhapon kiehumista.

Paras virta-arvo on 1/10 akun ampeerintuottavuudesta. Esimerkiksi 40 ampeerin akun paras latausarvo on 4 ampeeria.

#### Useamman akun samanaikainen lataus

Suorita tällainen toimenpide mahdollisimman varovaisesti: HUOM. Älä

lataa ominaisuusiltaan, tyhjyydeltään ja tyyppiltään erilaisia akkuja.

Useamman kuin yhden akun samanaikaisessa latauksessa voidaan käyttää sarja- tai rinnakkaisliitäntöjä. Näistä kahdesta vaihtoehdosta suosittelemme sarjaliitäntää, sillä sen aikana voidaan tarkkailla, että jokaisessa akussa kiertävä virta vastaa ampeerimetrin ilmoittamaa arvoa.

**HUOMIO:** Kahden akun sarjakytkentätapauksessa, joiden nimellisjännite on 12V, on EHDOTTOMASTI asetettava akkulaturi asentoon 24V.

**KUVA. C**

#### LATAUKSEN LOPETUS

- Slå av strømmen til batteriladeren ved å stille bryteren på OFF (hvis den finnes) og/eller fjerne nettsladden fra strømnettaket.
- Irrota musta latauspinne auton rungosta tai akun negatiivisesta liittimestä (symboli -).
- Irrota punainen latauspinne akun positiivisesta liittimestä (symboli +).
- Aseta akkulaturi kuivaan paikkaan.
- Sulje akun kennot asianmukaisilla tulpilla (jos olemassa).

#### KÄYNNISTYS

Varmista ennen ajoneuvon käynnistämistä, että akku on hyvin kytketty vastaaviin liittimiin (+ e -) ja että se on hyvässä kunnossa (ei sulfatointia eikä viitonnut).

Älä käynnistä missään tapauksessa ajoneuvoa, jonka akku on irrotettu vastaaviin liittimiin; ja, akun olemassaolo on olennaista mahdollisten ylijännitteiden eliminointia varten, joita saattaa syntyä kytkentäkaapeleihin kerääntyneen energian vaikutuksesta käynnistyksen aikana.

Aseta käynnistystä varten muuntaja (jos mukana) tai kytkin käynnistysasentoon jännitteellä, joka vastaa käynnistettävän ajoneuvon jännitettä.


Ennen virta-avaimen kääntämistä on välttämätöntä suorittaa nopea lataus, 5-10 minuuttia, joka helpottaa paljon käynnistystä. **Nopea lataustoimenpide tehdään ehdottomasti akkulaturin ollessa latausasennossa EIKÄ käynnistysasennossa.**

Käynnistys tapahtuu kauko-ohjaimen painiketta painamalla (vain kolmivaiheiselle).

Tuotettu virta ilmoitetaan ampeerimittarin asteikolla suurimmalla virtaamalla.



**HUOMIO: Ennen etenemistä katso huolellisesti ajoneuvojen valmistajien varoitukset!**

- Varmista, että suojaat virransyöttölinjan vastaavan suuruusilla sulakkeilla tai automaattikatkaisimilla, joiden arvo ilmoitetaan kyttissä symbolilla ().
- Akkulaturin ylikuumentumisen välttämiseksi suorita käynnistys huolehtien TARKASTI työ-/taukoajaksista, jotka ilmoitetaan laitteessa (esimerkiksi: START 3s ON 120s OFF-5 JAKSOA). Älä yritä enempää, ellei ajoneuvon moottori käynnisty: se saattaa vaikuttaa vakavalla tavalla akkuun tai jopa ajoneuvon sähkölaitteistoon.

#### 5. AKKULATURIN SUOJAT (KUVA D)

Akkulaturi on varustettu suojavaarustilla jotka laukeavat:

- Ylikuormituksen yhteydessä (liian korkea latausvirta akkuun).
- Oikosulku (kytkentäliittimet koskettavat toisiaan).
- Plus(+) ja minus(-) navat ovat väärin päin.
- Sulakkeilla varustetuissa laitteissa pitää mahdollisen vaihdon yhteydessä käyttää oikeantyyppistä ja kokoista sulaketta.



**VAROITUS: Ole huolellinen ettei käytät sellaista sulaketta jonka arvo ilmoitetaan akkulaturin merkittyssä henkilö tai esinevahinkojen välttämiseksi. Samasta syystä, älä koskaan vaihda sulaketta kuparisiltaan tai vastaavaan. Sulakkeen vaihto pitää tehdä silloin, kun pistotulppa on VEDETTY POIS sähköasiasta.**

#### 6. YLEISIÄ NEUVOJA

- Puhdista navat mahdollisista happikasauimista niin, että kontakti on hyvä.
- Välttääkää ehdottomasti pihtien kosketusta silloin kun lataa ja on kytkettynä verkkovirtaan. Se aiheuttaa sulakkeen palamisen. Se aiheuttaa sulakkeen palamisen.
- Jos akkulaturilla ladataan ajoneuvoon pysyvästi asennettua akkuja, sinun on luettava myös ajoneuvon käyttö- ja/tai huoltokirja kohdasta SÄHKÖVARUSTEET tai HUOLTO. Ennen kuin aloitat latauksen, irrota (mieluummin) ajoneuvon sähkölaitteiston positiivinenkaapeli.
- Tarkista kun jännite ennen kuin liität sen akkulaturiin. Muista, että 6V akussa on 3 akkukorkkia ja 12V akussa on 6 korkkia. Joissakin tapauksissa saattaa olla kaksi 12 Voltin akkuja. Tässä tapauksessa

tarvitan 24 Voltin jännite molempien varaajien lataamiseksi. Varmista, että näiden akkujen ominaisuudet ovat samat epätasapainoisen lataamisen välttämiseksi.

- Suorista ennen käynnistystä nopea muutaman minuutin lataus: tämä rajoittaa käynnistysvirtaa vaatiin vähemmän virtaa myös verkosta. Muista varmistaa ennen ajoneuvon käynnistystä, että akku on hyvin kytketty vastaaviin liittimiin (+ ja -) ja että se on hyvässä kunnossa (ei sulfatointunut eikä vioittunut).
- Älä ehdottomasti käynnistä ajoneuvoa, jonka akku on irti vastaavista liittimistä; akun olemassaolo on olennaista mahdollisten ylijännitteiden eliminointia varten, joita saattaa syntyä kytkentäkaapeleihin kerääntyneen energian vaikutuksesta käynnistyksen aikana.
- Mikäli ajoneuvo ei käynnisty, älä yritä liiaka, vaan odota muutama minuutti ja toista nopea lataus.
- Käynnistys tapahtuu aina akun ollessa asennettuna, katso kappale KÄYNNISTYS.

(DA)

## INSTRUKTIONSMANUAL



**GIV AGT: LÆS BRUGERVEJLEDNINGEN OMHYGGELIGT IGENNEM, FØR BATTERILADEN TAGES I BRUG.**

### 1. ALMENE SIKKERHEDSREGLER FOR ANVENDELSE AF DENNE BATTERILADER



- Under opladningen dannes der eksplosive gasser. Eliminér risici for flamme og gnistdannelse. RYG IKKE!
- Placér batterierne på et sted med god udluftning, mens de oplades.



- **Uerfarne personer skal oplæres på passende vis, før de tager apparatet i brug.**
- **Apparatet kan anvendes af børn på mindst 8 år og personer med nedsatte fysiske, sansemæssige eller åndelige evner samt af personer, der ikke råder over den fornødne erfaring eller viden, såfremt de holdes under opsyn eller er blevet sat ind i, hvordan apparatet anvendes på sikker vis og har forstået de dermed forbundne farer.**
- **Børn må ikke lege med apparatet.**
- **Rengørings- og vedligeholdelsesopgaver, der påhviler brugeren, må ikke foretages af børn uden opsyn.**
- Anvend udelukkende batteriladeren indendørs på steder med tilstrækkelig ventilation: UDSÆT IKKE OPLADEREN FOR REGN OG SNE!
- Træk altid først stikket ud af stikkontakten, før ladekablerne slutes til eller tages af batteriet.
- Batteriladen må ikke være i funktion, mens tængerne slutes til eller tages af batteriet.
- Anvend aldrig batteriladeren inde i et køretøj eller i motorhjelm.
- Forsyningsledningen må udelukkende udskiftes med et originalt.
- Hvis forsyningsledningen er beskadiget, skal den udskiftes af producenten eller af den tekniske assistance eller under alle omstændigheder af en person med tilsvarende kompetence for at undgå hvilken som helst risiko.
- Batteriladeren må ikke anvendes til opladning af batterier, der ikke kan genoplades.
- Kontrollér om netspændingen, som er til rådighed, stemmer overens med angivelserne på batteriladerens typeskilt.
- For at undgå at beskadige køretøjernes elektronik under opladning og igangsætning med batteriladeren, skal man læse, opbevare og nøje overholde anvisningerne fra det pågældende køretøjs fabrikant samt batteriproducentens anvisninger.
- Denne batterilader indeholder dele såsom strømafbrydere og relæer, som kan fremkalde lysbuer og gnister. Hvis batteriladeren anvendes på et bilværksted eller lignende, bør den således placeres på et sikkert sted eller opbevares i egnet indpakning.
- Reparations- og vedligeholdelsesarbejde på batteriladeren må kun udføres af erfarne fagmænd.



**STRØMKABLET SKAL ALTID AFBRYDES FRA NETFORSYNINGEN, FØR DER FORETAGES HVILKEN SOM HELST FORM FOR VEDLIGEHOLDELSE PÅ**

### BATTERILADEREN.

- Kontrollér om stikkontakten er forsynet med jordforbindelse.
- Hvis den anvendte model ikke er forsynet dermed, skal der forbindes stik, hvis ydeevne passer til sikringsens værdi ifølge anvisningerne på typeskiltet.

### 2. INDLEDNING OG ALMENE BESKRIVELSE

- Med denne batterilader kan man oplade batterier af bly med fri elektrolyt, der anvendes på motorkøretøjer (benzin- og dieseldrevne), motorcykler, både, osv.
- Apparatets ladestrom falder i henhold til den karakteristiske Wkurve og stemmer overens med DIN normen 41774.
- Batteriladerens kabinet har sikringsklasse IP 20 og er sikkerhedsjordnet i henhold til de gældende forskrifter for apparater af klasse I.

### 3. INSTALLERING OPSTILLING (FIG.A)

- Pak batteriladeren ud, monter de løse dele, som emballagen indeholder.
- Modellerne med vogn skal installeres i lodret stilling.

### PLACERING AF BATTERILADEREN

- Batteriladen skal placeres stabil under drift, og man skal sørge for ikke at hindre luftgennemstrømningen gennem de dertil beregnede åbninger, idet der skal sikres tilstrækkelig ventilering.

### NETTILSLUTNING

- Batteriladeren må udelukkende forbindes med et fødesystem udstyret med en neutral, jordet ledning.
- Undersøg, om netspændingen passer til udstyrets spænding.
- Netforsyningen skal beskyttes med sikkerhedsanordninger, såsom sikringer og automatiske afbrydere, der kan holde til apparatets maksimale strømforbrug.
- Nettilslutningen udføres v.h.a. det dertil beregnede kabel.
- Eventuelle forlængere af forsyningskablet skal have et passende tværsnit, d.v.s. aldrig under det leverede kabels.
- Apparatet skal altid jordforbindes v.h.a. det gul-grønne forsyningskabel, der er kendetegnet med etiketten (±) (FIG. E).

### 4. FUNKTION

#### FORBEREDELSE FØR OPLADNING

**OBS! For man starter opladningen, skal man forvisse sig om, at de anvendte batteriers ydeevne (Ah) ikke er lavere end hvad, der er angivet på pladen (C min).**

**Foretag proceduren nøje i den nedenstående rækkefølge.**

- Fjern batteriets låg (hvis de forefindes), så at gasarterne, der dannes under opladningen, kan slippe ud.
- Kontrollér at batterivæskens dækker battericellerne; tilsæt, hvis dette ikke er tilfældet, destilleret vand, så de dækkes med 5-10 mm vand.



**GIV AGT: UDVIS STØRST MULIG FORSIGTIGHED I FORBINDELSE MED DENNE PROCEDURE, EFTERSOM BATTERISYREN ER STÆRKT ÆTSENDE**

- Man bør huske på, at batteriets præcise ladetilstand udelukkende kan fastslås ved hjælp af en vægtfyldemåler, som måler elektrolyttens vægtfylde;
- Følgende værdier for vægtfylden (kg/liter ved 20 °C) betyder vejledende:
  - 1.28 = batteri opladet
  - 1.21 = batteri halvt opladet
  - 1.14 = batteri afladet
- Træk elledningen ud af stikkontakten og forbind opladningsklemmerne alt efter batteriets nominalspænding, stil omskifteren på opladning og tilkobl timeren i stillingen for normal opladning.
- Undersøg batteriklemmernes polaritet: tegnet + står for positiv, tegnet - for negativ.
- **BEMÆRKNING:** Hvis det er umuligt at skelne mellem tegnene, skal man huske på, at den positive klemme er den, der ikke er forbundet med bilens chassis.
- Forbind den røde ladetang med batteriets røde klemme (mærket med +).
- Forbind den sorte ladeklemme med bilens chassis, langt væk fra batteriet og brændstoftøret.
- **BEMÆRKNING:** Hvis batteriet ikke er installeret i bilen, skal man oprette en direkte forbindelse med batteriets negative klemme (mærket med -).

### OPLADNING

- Fød batteriladeren ved at sætte forsyningskablet i netstikket og stil

- afbryderen på ON (såfremt den forefindes).
- Såfremt amperemetret forefindes, viser det ladestrømmen (i Ampere) til batteriet. Under opladningen vil amperemetrets angivelse langsomt falde for til sidst at nå et meget lavt niveau, afhængig af batteriets kapacitet og tilstand.

FIG. B

**BEMÆRKNING:** Når batteriet oplades, kan det ske at batterivæskan begynder at "koge". Man bør i så fald straks afbryde opladningen for at undgå beskadigelse af batteriet.

Ved hjælp af omskifterens skal man vælge ladestrømmens værdi, afhængig af akkumulatorens type og forfatning; denne værdi vises på amperemetret, på den nederste værdiskala. Der mindes om, at batteriet vil fungere længere, hvis det oplades langsomt, da det opvarmes i mindre omfang, hvorved man undgår, at pladerne oxyderes, samt at elektrolytten koger. Den ideelle strømstyrke udgør 1/10 af batteriets ydeevne i Ampere/time. Eksempel: For et batteri på 40 Ampere, er den ideelle ladestrøm 4 Ampere.

#### Opladning af flere batterier samtidigt

Udvis størst mulig forsigtighed i forbindelse med denne procedure: GIV AGT; undlad at oplade batterier med forskellig ydeevne og udladning eller af forskellig type.

Når flere batterier oplades samtidigt, anvendes serieforbindelse eller parallelforbindelse. Af disse må serieforbindelse være at foretrække, eftersom man da kan kontrollere strømmen i hvert enkelt batteri, hvilket så stemmer overens med værdien, amperemetret viser

**BEMÆRK:** Hvis to batterier med en mærkespænding på 12V serieforbindes, SKAL man stille batteriladeren på 24V.

FIG. C

#### AFSLUTTET OPLADNING

- Frakobl batteriladeren strømforsyningen ved at stille afbryderknappen på OFF (hvis den findes) og/eller ved at frakoble fødeledningen netforsyningen.
- Fjern den sorte ladetang fra bilens chassis eller fra batteriets negative klemme (mærket med -).
- Fjern den røde ladetang fra batteriets positive klemme (mærket med +).
- Placér batteriladeren på et tørt sted.
- Luk batteriets celler til igen med de dertil beregnede propper (hvis de findes).

#### START

**Før køretøjet startes, skal man forvise sig om, at batteriet er rigtigt forbundet til de tilhørende klemmer (+ og -), samt at det er i god forfatning (hverken sulfateret eller i stykker).**

**Køretøjet må under ingen omstændigheder startes, hvis batterierne er frakoblet de tilhørende klemmer; batteriet er strengt nødvendigt for at bortskaffe eventuel overspænding, der vil kunne dannes pga. ophobning af energi i forbindelseskablerne under startfasen.**

For at kunne starte skal omstilleren (såfremt den forefindes) eller omskifteren anbringes i startstillingen ud for den spænding, der svarer til køretøjet, der skal startes.

Før startnøglen drejes, er det strengt nødvendigt at foretage en hurtig opladning med en varighed på 5-10 minutter, da starten derved gøres meget nemmere. **Når denne hurtige opladning foretages, er det strengt nødvendigt, at batteriladeren står på opladning og IKKE på start.**

Starten foretages ved at trykke på fjernstyringsknappen (kun ved trefaset udgave).

Den leverede strøm vises på amperemetrets skala med størst kapacitet.



**GIV AGT: Før arbejdet påbegyndes, skal man sætte sig nøje ind i anvisningerne fra køretøjsfabrikanten!**

- Sørg for at beskytte forsyningslinien med sikringer eller automatiske afbrydere, der overholder værdierne angivet med symbolet (—|—) på typeskiltet.
- For at undgå overophedning af batteriladeren, skal man under startproceduren NØJE overholde arbejds-/pausecyklusserne, der er opført på apparatet (eksempel: START 3s ON 120s OFF-5 CYCLES). Insister ikke, hvis køretøjets motor ikke går i gang; Der opstår nemlig ellers fare for alvorlige skader på batteriet eller i værste fald på køretøjets elektriske udstyr.

#### 5. BATTERILADERENS

##### BESKYTTELSESANORDNINGER (FIG.D)

Batteriladeren er udstyret med sikkerhedsanordninger som udløses ved:

- Overbelastning (for høj strømtilførsel til batteriet).
- Kortslutning (tilslutningsklemmerne har kontakt med hinanden).
- Hvis batteriklemmernes poler er vendt forkert.
- På apparater, som er udstyret med sikringer, skal der anvendes sikringer af samme type med samme nominalværdi ved en eventuel udskiftning.



**GIV AGT: Vær omhyggelig med at anvende en sikring med den værdi, som angives på batteriladerens typeskilt, for at undgå risiko for skader på personer eller ting. Af samme årsag, må sikringen aldrig udskiftes med broer af kobber eller lignende.**

**Udskiftning af sikring skal udføres med stikket TAGET UD af netkontakten.**

#### 6. GODE RÅD

- Rengør de positive og negative klemmer for eventuelle oxydaflejringer så der er god kontakt
- Man skal under alle omstændigheder sørge for, at tængerne ikke kommer i berøring med hinanden, når batteriladen er tilsluttet nettet. I dette tilfælde brænder sikringen over.
- Hvis batteriladeren skal anvendes til et fastmonteret batteri i et køretøj, bør også køretøjets instruktionsbog konsulteres, se under "ELANLÆG" eller "VEDLIGEHOLDELSE". Inden opladningen påbegyndes, er det god praksis at tage køretøjets elanlægs positive batterikabel fra batteriet
- Kontrollér batteriets spænding, inden dette tilsluttes til batteriladeren. Man skal huske på, at batterier med 3 propper er på 6Volt, mens batterier med 6 propper er på 12Volt. I visse tilfælde er der to serieforbundne 12 Volt batterier, hvorved der kræves 24Volt spænding for at oplade begge to. Man skal sørge for, at de har samme egenskaber for at sikre en afbalanceret opladning.
- Før hver start skal der foretages en hurtig opladning, der varer et par minutter: Derved begrænses startstrømmen, og der kræves mindre strøm fra netforsyningen. Før køretøjet startes, skal man forvise sig om, at batteriet er rigtigt forbundet til de tilhørende klemmer (+ og -), samt at det er i god forfatning (hverken sulfateret eller i stykker). Køretøjet må under ingen omstændigheder startes, hvis batterierne er frakoblet de tilhørende klemmer; batteriet er strengt nødvendigt for at bortskaffe eventuel overspænding, der vil kunne dannes pga. ophobning af energi i forbindelseskablerne under startfasen.
- Undlad at insistere, hvis køretøjet ikke går i gang; vent et par minutter, og gentag så den hurtige opladning.
- Start skal foretages, mens batteriet er forbundet, jævnfør afsnittet START.



(NO)

## BRUKERVEILEDNING



### ADVARSEL: FØR DU BRUKER BATTERILADEREN SKAL DU LESE HÅNDBOKA NØYE!

#### 1. GENERELLE FORHOLDSREGLER FOR BRUK AV DENNE BATTERILADEREN



- Under batteriladningen dannes det eksplosive gasser. Unngå farer som flammer og gnistdannelse. IKKE RØYK!
- Plasser batteriene på en plass med god ventilasjon for laddingsprosedyren.



- Personer uten erfaringer må instrueres før de bruker apparatet.
- Apparatet kan brukes av barn over 8 år og personer med reduserte fysiske, følelsesmessige eller mentale evner, eller som mangler erfaring og kunnskap, så lenge de er under oppsyn eller har blitt instruert i sikker bruk av apparatet og forstår farene det innebærer.
- Barn må ikke leke med apparatet.
- Barn må ikke foreta rengjørings- eller vedlikehold oppgaver uten å være under oppsyn.
- Bruk kun batteriladeren innendørs og med god ventilasjon: LADEREN MÅ IKKE UTSETTES FOR REGN ELLER SNØ!
- Støpslet må alltid tas ut av kontakten for nettilkoplingen før du kople ladekabelene fra eller til batteriet.
- Du skal aldri kople eller frakople tengene til batteriet med batteriladeren igang.
- Batteriladeren må absolutt ikke brukes inne i en bil eller i bagasjerommet.
- Strømtilførselskabelen må kun skiftes ut med en originalkabel.
- Hvis strømledningen er ødelagt, må denne skiftes ut av produsenten eller produsentens servicetjeneste eller uansett av en person med lignende kvalifikasjoner, for slik at all risiko kan unngås.
- Batteriladeren må ikke brukes til batterier som ikke er oppladbare.
- Kontroller at tilgjengelig strømspenning tilsvarer verdiet som er indikert på batteriladerens skilt da du bruker batteriladeren for ladning og oppstart; dette gjelder også for indikasjonene som batterifabrikanten forsyner.
- For å ikke skade kjøretøyet elektroniske seksjon, slå du lese, oppbevare og nøye følge advarslingene som fabrikanten forsyner sammen med kjøretøyet.
- Denne batteriladeren inneholder deler som strømbryter og rele' som kan lage lysbuer eller gnister. Når laderen brukes på et bilverksted eller lignende, bør den plasseres på et sikkert og hensiktsmessig sted.
- Reparasjons- og vedlikeholdsarbeid må batteriladeren må kun utføres av fagpersonell.
- **IKOBLE ALLTID FORSYNINGSKABELEN FRA NETTET FØR DU UTFØRER ETHVERT VEDLIKEHOLDSSINGREP PÅ BATTERILADEREN.**
- Kontroller at uttaket er utstyrt med jordeledningsvern.
- I modellene som ikke er utstyrt med jordeledning, skal du utføre koplingen til uttak med sikringsverdi som er indikert på skiltet.

#### 2. INNLEDNING OG GENERELL BESKRIVELSE

- Denne batteriladeren er beregnet til oppladning av blyakkumulatører på motorkjøretøyer (bensin og dieseldrevne), motorsykler, båter.
- Apparatets ladestrøm faller i henhold til den karakteristiske Wkurve og stemmer overens med DIN-normen 41774.
- Batteriladerens kasse er i beskyttelsesklasse IP 20, og er jordat i henhold til gjeldende foreskrifter for apparater i klasse I.

#### 3. INSTALLASJON

##### MONTERING (FIG. A)

- Pakke til batteriladeren og utfør monteringen av de løse delene som finnes i kartongen.
- Vognmodellene monteres i vertikal posisjon.

##### PLASSERING AV BATTERILADEREN

- Under funksjonen, skal du plassere batteriladeren på stabil plass og

forsikre deg om å ikke blokkere ventilasjonsåpningene for å garantere en god ventilasjon.

#### TILKOPLING TIL NETTET

- Batteriladeren må kun koples til et strømforsyningssystem med nøytral kabel koplet til jordeledning.
- Kontroller at nettspenningen samsvarer med apparatets funksjonsspenning.
- Nettlinjen må være utstyrt med beskyttelsessystemer, som sikringer eller automatisk brytere, som tåler apparatets maksimale absorbering.
- Tilkopling til strømmettet må utføres med den dertil egnede kabelen.
- Eventuelle forlenger av nettkabelen må ha dertil egnet snit, dette må dog aldri være mindre enn snittet til nettkabelen som medfølger.
- Apparatet må alltid jordes ved hjelp av nettkabelens gulgrønne ledning symbolisert med ( $\perp$ ). De andre to ledningene koples til spenningsnett.
- Spenningsforandring oppnås ved hjelp av dertil egnet spenningsomformerbryter som gjøres tilgjengelig ved å fjerne apparatets (FIG. E).

#### 4. FUNKSJON

##### KLARGJØRING FOR LADNING

**OBS!** Før De starter oppladningen, må De verifisere at kapasiteten til de batteriene (Ah) som De har tenkt å lade, ikke er mindre enn som indikert på skiltet (C min).

Utfør instruksene ved å nøye følge den orden som er indikert.

- Fjern batteriets deksler, dersom de er tilstede, slik at gassene som produseres under oppladningen får utløp.
- Kontroller at væskeniivå på batteriet er så høyt at det dekker battericelle. Hvis ikke, må det fylles på destillert vann (5-10 mm over cellene).



**ADVARSEL! BATTERISYREN ER STERKT ETSENDE, SÅ VÆR MEGET FORSIKTIG MED MÅLINGEN.**

- Husk at batteriets nøyaktige ladningstilstand kun kan bestemmes ved hjelp av en densitetsmåler som bestemmer batterivæskens densitet. Følgende verdier for densitet (kg/liter ved 20 °C) betyr:  
1,28 = batteriet ladet  
1,21 = batteriet er halvveis oppladet  
1,14 = batteriet er utladet
- Med strømforsyningkabelen fjernet fra uttaket, skal du kople laddingsklemmene i samsvar med batteriets nominalspenning og stille omkoperen i ladningsstilling og aktivere timeren i stilling for nominalspenning.
- Kontroller polariteten på batteriets klemmer: positiv symbol + og negativ symbol -.
- BEMERK: hvis symbolene ikke er ulike, skal du huske at den positive klemmen er den som ikke er koplet til maskinens karosseri.
- Kople laddingsklemmen med rød farge til positiv klemme på batteriet (symbol +).
- Kople klemmen med sort farge til maskinens karosseri langt fra batteriet og brenslenslangen.
- BEMERK: hvis batteriet ikke er blitt installert i maskinen, kan du utføre en direkte kopling til batteriets negative pol (symbol -).

##### LADNING

- Forsyn batteriladeren med strøm ved å kople strømskabelen til uttaket og stille strømbryteren på ON (hvis installert).
- Amperemeteret (hvis installert) viser ladestrømmen til batteriet. Under ladningen vil amperemeterets utslag bli sakte redusert til en svært lavt verdi, avhengig av batterikapasiteten og tilstanden.

FIG. B

**BEMERK:** når batteriet lades opp, kan batterivæsken begynne å "koke". For at batteriet ikke skal bli dårligere, må ladningen i slike tilfeller avbrytes umiddelbart, slik at platene ikke skal oksidere.

Bruk velgeren får å velge korrekt ladningsstrøm i forhold til akkumulatoren og dens ladningstilstand som kan avleses på amperemeteret, skala med lavere verdier.

Vær oppmerksom på at langsom oppladning sikrer lengre levetid for batteriet idet denne type oppladning genererer en lavere oppvarming av batteriet og dermed unngår plateoksydering og overoppvarming av elektrolyttene.

Den ideelle strømværdien er 1/10 av batteriets amperetimestrøm. For et eksempelvis 40 amperebatteri er den optimale ladeverdi 4 ampere.

## Samtidig lading av flere batterier

Utfør denne prosedyren med største omhu. ADVARSEL: lade aldri batterier som er helt utladet eller av andre typer.

Hvis du skal lade flere batterier på samme gang, kan du bruke "serie"-koplinger eller "parallele" koplinger. Vi anbefaler deg å bruke seriekoplingen, da du da kan kontrollere strømmen som sirkulerer i hvert batteri som skal være analog i henhold til verdiet som er indikert på amperemetern.

**BEMERK:** ved seriekopling av to batterier med samme nominalspenning på 12 V, MÅ du stille batteriladeren på 24V.

FIG. C

## SLUT PÅ LADNING

- Slå av strømmen til batteriladeren ved å stille bryteren på OFF (hvis den finnes) og/eller fjerne nettladden fra strømuttaket.
- Frakople den sorte ladingstangen fra maskinstrukturen eller fra batteriets negative pol (symbol -).
- Frakople ladingstangen med rød farge fra batteriets positive pol (symbol +).
- Still batteriladeren på tør plass.
- Lukk batteriets celler ved hjelp av de spesielle lokkene (hvis installert).

## OPPSTART

**Før du starter opp kjøretøyet skal du forsikre deg om at batteriet er koplet til tilsvarende klemmer (+ og -) og at disse er i godt tilstand (ikke oksidert eller ødelagt).**

**Du skal aldri starte opp kjøretøy med batteriet frakoplet fra tilsvarende klemmer; batteriets nærvær er avgjørende for å fjerne eventuell overspenning som kan oppstå på grunn av opplagret strøm i koplingskablene under startfasen.**

Før oppstarten skal stille kopleen (hvis den er installert) eller deviatoren i startmodus i overensstemmelse med spenningen på apparatet som skal startes opp.

Det er nødvendig å utføre en hurtig lading på 5-10 minutter før du dreier startnøkkelen. Dette letter oppstarten meget. **Den hurtige ladingen skal alltid utføres med batteriladeren i ladingsmodus och IKKE i startmodus.**

Starten skjer ved å trykke på tasten på fjernstyringskontrollen (kun for trefas).

Strømmen som blir forsynt er indikert av amperemålerens skale med en høyere effekt.



**ADVARSEL: før du går frem, skal du nøye følge kjøretøysfabrikantens advarslinger!**

- Forsikre deg om å verne forsyningslinjen med sikringer eller automatiske bryter av samme verdi som er indikert på skiltet med symbol (—=—).
- Før å unngå overhetning av batteriladeren, skal du utføre startprosedyren ved å NØYE følge syklusene for arbeid/pause som er indikert på apparatet (f.eks. START 3s TIL 120s FRA-5 SYKLER). Du ska ikke insistere hvis kjøretøys motor ikke starter opp, da dette kan skade batteriet eller kjøretøys elektriske system.

## 5. VERNEUTSTYR TIL BATTERILADEREN (FIG. D)

Batteriladeren har sikkerhetsutstyr som utløses ved:

- Overbelastning (for høy ladestrom til batteriet).
- Kortslutning (kopplingsklemmene berører hverandre).
- Pluss(+) og minus(-) polene er vendt feil veg.
- I apparater med sikringer må en eventuell byttesikring være av tilsvarende type og verdi.



**ADVARSEL: Vær nøye med å bruke sikringer med verdi som angitt på batteriladerens merkeplate, slik at du kan unngå skader personer eller gjenstander. Av samme årsak må ikke sikringen byttes ut med en kobberbro eller lignende.**

**Husk alltid å ta støpslet UT AV kontakten når du skal bytte sikringer.**

## 6. GODE RÅD

- Gjør ren batteripolene for eventuelle oksidbelegg, slik at det oppnås god kontakt.
- De to klemtangene må aldri komme i kontakt med hverandre mens batteriladeren er tilkoppelt strømnettet. Dette for å unngå å sikringene brennes.
- Skal batteriladeren brukes til et fast montert batteri i et kjøretøy, må dette kjøretøys instruksjonsbok kontrolleres, se under "ELUTSTYR" eller "VEDLIKEHOLD". Før ladingens startes opp er det fornuftig å kople den positive batterikabelen fra batteriet.
- Kontroller batterispenningen for du kople det til batteriladeren og

husk på at de 3 lokkene befinner seg på batterier med 6 volt, mens 6 lokk befinner seg på batterier med 12 volt. I noen fall kan det være to 12V-batterier som er seriekoplet. I dette fallet, trenger du en spenning på 24V for å lade begge batteriene. Forsikre deg om at de har samme karakteristikk for å unngå en ubalansert lading.

- Før du utfører oppstarten skal du utføre en hurtig lading i noen minutter for å begrense startstrømmen og bruke mindre strøm fra nettete. Før du utfører kjøretøys oppstart, skal du huske på at batteriet er korrekt koplet til tilsvarende klemmer (+ og -) og i godt tilstand (uten oksidering og defekter).
- Utfør aldri oppstarten av kjøretøy med batterier som er frakoplet fra tilsvarende klemmer; batteriets nærvær er avgjørende for å fjerne eventuell overspenning som kan dannes på grunn av akkumulert strøm i koplingskablene under startfasen.
- Hvis oppstarten ikke skjer, skal du ikke insistere uten vente noen minutter og repetere den hurtige ladingprosedyren.
- Oppstarten skal alltid utføres med ittkoplet batteri, se stykke OPPSTART.

(SL)

## PRIROČNIK Z NAVODILI ZA UPORABO



**POZOR: PRED UPORABO POLNILCA BATERIJ POZORNO PREBERITE PRIROČNIK NAVODIL ZA UPORABO!**

### 1. SPLOŠNA VARNOST ZA UPORABO TEGA POLNILCA BATERIJ



- Med samim polnjenjem baterija oddaja eksplozivne pline, preprečite da ne pride do iskrejia in plamena. PREPOVEDANO KAJENJE.
- Baterije, ki se polnijo, namestite v zračen prostro



- **Neizkušeno osebe je treba pred uporabo naprave primerno poučiti.**
- **Napravo smejo otroci, ki starejši od 8 let, osebe z zmanjšanimi fizičnimi, čutnimi ali umskimi zmognostmi, ali osebe, ki z njo nimajo izkušeni ali je ne poznajo, uporabljati le pod nadzorom odraslih oseb, ki so dobile navodila o varni rabi naprave, ter so razumele, kakšno nevarnost lahko povzroča naprava.**
- **Otroci se z napravo ne smejo igrati.**
- **Čiščenja in vzdrževanja, ki ju mora izvajati uporabnik, ne smejo izvajati otroci brez nadzora.**
- Uporabljati polnilce baterij izključno v notranjosti in se prepeljati, da se delo izvaja v dobro zračenih prostorih: NE IZPOSTAVLJATI DEZJU ALI SNEGU.
- Izključiti napojni kabel iz električnega omrežja preden priključite napojne kable baterije.
- Ne vezati ali odvezati ščipalke na baterijo z polnilcem baterije v delovanju.
- V nobenem primeru ne uporanljati polnilca baterij v notranjosti vozila in niti v prtljajniku avta.
- Napojni kabel zamenjati samo z originalnimi rezervnimi deli.
- Če je napajalni kabel poškodovan, ga mora zamenjati proizvajalec ali njegov tehnični servisni center ali podobno usposobljena oseba, tako da ne bi prišlo do kakršnih koli tveganj.
- Ne uporabljati polnilca baterij za polnjenje baterij ki se ne polnijo.
- Preveriti, da je napetost napajanja ustrežna označeni na tablici podatkov polnilca baterij.
- Za pravilno uporabo polnilca baterij upoštevajte navodila in opozorila, ki jih je oskrbel proizvajalec polnilca baterij, kakor tudi proizvajalec vozila. To pa zato, da nebi prišlo do poškodb elektroneke vozila.
- Ta polnilce baterij zajema dele kot sta stiko in rele, katera lahko povzročita električno napetost most ali iskrejia, zato ga je potrebno shraniti in namestiti v primernih prostorih ali zaščiti pred vžigom; se posebej, ko se uporablja v delavnici ali podobnih prostorih.
- Vzdrževalna in popravilna dela v notranjosti polnilca baterij se lahko izvajajo samo s strani izvedenca; osebja, ki je poučeno za takšno delo.
- **VEDNO IZKLJUČITE NAPAJNI KABEL IZ OMREŽJA, PREDEN ZAČNETE IZVAJATI KAKRŠNE KOLI POSEGE VZDRŽEVANJA POLNILNIKA AKUMULATORJEV.**
- Preverite, da je vtičnica opremljena z zaščitno ozemljitvijo.
- Pri modelih, kjer ni tako, povežite vtiče z ustreznim razponom na

varovalko z vrednostjo, navedeno na ploščici.

## 2. UVOD IN SPLOŠNI OPIS

- Ta polnillec baterij polni baterije na svinec in proste elektrolite, ki se uporabljajo pri motornih vozilih (bencin, dizel), motorjih, plovilih, itd..
- Napajalni električni tok aparata pojenja po značajni krivulji W in v skladu z normo DIN 41774.
- Posoda, v kateri je nameščen, ima zaščito IP 20 in je zavarovan pred neposrednim stikom prek ozemljitvenega vodnika, kot je predpisano za naprave I. razreda.

## 3. INSTALACIJA

### OPREMA (SLIKA A)

- Iz ovoja odstranite polnilnik akumulatorjev, pritrnite priložene dele, ki so v embalaži.
- Modeli z vozički se nameščajo v vertikalni položaj.

### LOKACIJA POLNILCA BATERIJ

- V času delovanja polnillec namestite na stabilno mesto in se hkrati prepričajte, da ne preprečujete pretok zraka na odprtih aparata, ki je potreben za zračenje slednjega.

### VEZAVA NA ELEKTRIČNO OMREŽJE

- Polnillec baterij mora biti obvezno povezan na električno omrežje ki ima ozemljitev.
- Preveriti, da je napetost omrežja enakovredna napetosti delovanja.
- Napajalna linija mora biti opremljena z zaščitnim sistemom kot sta: avtomatična varovalka ali stikalo, ki sta sposobna prenesti maksimalno absorpacijo aparata.
- Povezava na električno omrežje mora biti izvedena z namenskim kablom.
- Podaljški napajalnega kabla morajo biti enaki, oziroma nikoli manjšega premera od originala.
- Aparat morate vedno priključiti na ozemljitev. Za to uporabite rumeno-zeleni napajalni kabel, označen z oznako ( $\perp$ ), druga dva vodnika pa priključite v napetostno omrežje.
- Sprememba napetosti se izvede z ustrezno ploščico za spreminjanje napetosti (FIG. E).

## 4. DELOVANJE

### PRIPRAVE ZA POLNLENJE

**OPOZORILO:** Preden pričnete z polnjenjem preverite, da je **zmožljivost baterije (Ah)**, ki bi jih želeli polniti ni nižja od navedene na tablici (C min).

**Natančno izvesti navodila po naslednjem vrstnem redu:**

- Odstranite zamaške na bateriji (če so prisotni), tako, da bo lahko uhajal plin, ki nastane ob delovanju polnilca.
- Preveriti, da je nivo elektrolita zadosten, da pokriva ploščice baterije; v primeru da so dkrite jih zalijte z destilirano vodo do prekritja v višini 5-10 mm.



**POZOR! POSEBNO POZORNOST POSVETITE OB TEJ OPERACIJI, SAJ JE ELEKTROKIT IZREDNO JEDKA KISLINA.**

- Opozarjamo vas, da je mogoče natančno stanje akumulatorja določiti le z denzimetrom, ki omogoča merjenje specifične gostote elektrolita; na splošno veljajo naslednje vrednosti gostote raztopine (Kg/l pri 20° C):

1,28 = poln akumulator;  
1,21 = na pol prazen akumulator;  
1,14 = prazen akumulator.

- Ko je napajalni kabel iztaknjen iz vtičnice napajalnega omrežja, povežite kratke za polnjenje pod nazivno napetostjo akumulatorja, nato preklopnik postavite v položaj za polnjenje in vključite časovnik v položaj običajnega polnjenja.
- Preveriti pozitivnost in negativnost pola ščipalk baterije: pozitiven znak + in negativen znak -.
- BELEŽKA:** v primeru da se znaki ne razberejo, si zapomnimo da pozitivna ščipalka ni priključena na šasijo vozila.
- Vežati ščipalko rdeče barve na pozitiven primež baterije (znak +).
- Vežati ščipalko črne barve na šasijo vozila, daleč od baterije in od izpušnih cevi vozila.
- BELEŽKA:** če baterija ni instalirana v vozilu, vežati se direktno na negativni primež baterije (znak -).

### POLNLENJE

- Napajati polnillec baterij tako, da se priključite na električno omrežje z napajalnim kablom.
- Amperometer (če je prisoten) kaže električni tok (v Amperih), ki je

potreben za polnjenje baterije; v tej fazi je potrebno opazovati, da amperometer kaže počasno nižanje indikatorja vse do zelo niskih vrednosti zmožnosti in stanja baterije.

### SLIKA B

**BELEŽKA:** Ko je baterija izpraznjena, bomo lahko opazili začetek "emboloze" prisotne tekočine v bateriji. Predlagamo prekinitev polnjenja že na samem začetju pojava tega fenomena, da preprečimo škodo na bateriji.

S stikalom izberite trenutno vrednost polnjenja glede na tip akumulatorja in njegovo napoljenost. To vrednost kaže ampermeter, lestvica z nižjo vrednostjo. Opozarjamo vas, da je počasno polnjenje boljše zagotovilo za daljše trajanje akumulatorja, saj ga manj segreje, s čimer se izognimo oksidaciji plošč in izparevanju elektrolita. Idealna vrednost toka je 1/10 dometa v amperih/uro akumulatorja. Zgled: za 40-amperski akumulator je idealna vrednost polnjenja 4 ampere.

### Sočasno polnjenje več akumulatorjev

Ta postopek izvajajte zelo previdno. **POZOR;** ne polnite akumulatorjev, ki se med seboj razlikujejo po zmogljivosti, razelektrenju in tipu. Če morate sočasno napolniti več akumulatorjev, lahko to storite s "serijskim" ali "paralelnim" povezovanjem. Priporočamo vam serijsko povezovanje, saj lahko na ta način nadzorujete tok v vsakem od akumulatorjev, ki bo enak tistemu, ki ga bo prikazoval ampermeter.

**POZOR:** V primeru zaporedne povezave dveh akumulatorjev z nazivno napetostjo 12V MORATE postaviti polnilnik akumulatorjev na vrednost 24V.

### SLIKA C

### ZAKLJUČEK POLNLENJA

- Odstraniti napajalni kabel polnilca baterij (OFF), tako, da ga izključimo iz električnega omrežja.
- Izključiti polnilne ščipalke črne barve od šasije vozila ali od negativnega primeža baterije (znak -).
- Izključiti polnilne ščipalke rdeče barve pozitivnega primeža baterije (znak +).
- Shraniti polnillec baterije na suh prostor.
- Pokriti odprtine baterije z namenskimi zamaški (če so prisotni).

## ZAGON

**Predem izvedete zagon vozila, se prepričajte, da je akumulator pravilno priključen na ustrezna priključka ("+" in "-") in da je v dobrem stanju (ne sulfatiran in ne v okvari).**

**Zagona vozil absolutno ne izvajajte, ko so akumulatorji odklopljeni z ustreznih priključkov; prisotnost akumulatorja je odločilna za izločitev morebitnih prenapetosti, ki bi se lahko ustvarile zaradi nakopičene energije v priključnih kablih med zagonom.**

Za zagon postavite smerno pretikalo (če je nameščen) ali prekopno ročico v položaj za zagon pri napetosti, ki ustreza tisti, pri kateri deluje naprava, ki jo želite zagnati.

Predem obrnete ključ za zagon, je treba izvesti hitro polnjenje 5-10 minut, kar bo zelo olajšalo zagon. **Hitro polnjenje morate obvezno izvajati, ko je polnilnik akumulatorjev v načinu polnjenja, ne zagona.**

Napravo boste zagnali s pritiskom na gumb na daljinskem upravljalniku (samo pri trifaznem toku).

Oddajani tok bo prikazan na skali ampermetra z največjim dometom.



**POZOR: Preden nadaljujete, skrbno preglejte opozorila izdelovalcev vozil!**

- Prepričajte se, da je napajalna linija zaščiten z varovalkami ali samodejnimi prekinjalci, ki ustrezajo vrednosti, navedeni na ploščici s simbolom ( $\perp$ ).
- Da bi se izognili pregrevanju polnilnika akumulatorjev, izvedite zagon z OBVEZNIH upoštevanjem ciklov delovanja/premora, ki so navedeni na napravi (na primer: START 3s ON 120s OFF-5 CYCLES (ciklov)). Ne vztrajajte predolgo, če se motor vozila ne zažene: lahko bi namreč hudo ogrozili akumulator ali celo električno napeljavo vozila.

## 5. ZAŠČITE POLNILNIKA AKUMULATORJEV (SLIKA D)

Polnillec baterije je opremljen z zaščito, ki se sproži v primerih:

- Prenapetost (prekomerna moč pretoka toka v smeri baterije).
- Kratek stik (napajalne ščipalke pridejo v stik).
- Napačna povezava električnih polov na primežih baterije.
- Na aparatih z varovalkami je obvezno uporabljati samo rezervne dele, ki imajo enako nominalno vrednost toka.



**POZOR: Zamenjati varovalke z nominalno vrednostjo drugačno, kot je označena na tablici, lahko povzroči škodo osebam in predmetom. Iz istiga razloga se izogibajte**

**nadomestiti varovalku z mostvici iz bakra ali iz drugih materialov. Zamenjava varovalk mora biti zmeraj izpeljana tako, da je napajalni kabel IZKLJČEN iz električnega omrežja.**

## 6. UPORABNI NASVETI

- Očistite pozitivni in negatívni pol morebitnih rjastih oblog, tako da zagotovite dober oprijem klešč.
- Na vsak način pazite, da se ne bodo klešče dotikale, ko je polnilnik akumulatorjev priključen v omrežje. V tem primeru bo pregorela varovalka.
- Če je akumulator, na katerem nameravate uporabiti polnilnik, stalno nameščen na vozilu, preberite tudi priročnik z navodili ali za vzdrževanje vozila, poglavje "ELEKTRIČNA NAPELJAVNA" ali "VZDRŽEVANJE". Bolje je, če pred polnjenjem izklopite pozitivni kabel, ki je del električne napeljave vozila.
- Preverite napetost akumulatorja, preden ga priključite na polnilnik. Opozarjamo vas, da imajo po 3 zamaške 6-voltni akumulatorji, po 6 zamaškov pa 12-voltni. V nekaterih primerih je mogoče imeti dva serijsko povezana 12-voltna akumulatorja. V takem primeru potrebujete 24-voltno napetost, da bi se napolnila obo. Prepričajte se, da imata enake lastnosti, da bi se izognili neenakomernemu polnjenju.
- Pred zagonom izvedite hitro polnjenje, ki naj traja kakšno minuto: tako boste omejili zagonski tok in iz omrežja boste potrebovali še manj toka. Zapomnite si, da se morate, preden izvedete zagon vozila, pripraviti, da je akumulator pravilno priključen na ustrezna priključka ("+" in "-") in da je v dobrem stanju (ne sulfatiran in ne v okvaril).
- Zagona vozil absolutno ne izvajajte, ko so akumulatorji odklopljeni z ustreznih priključkov; prisotnost akumulatorja je odločilna za izločitev morebitnih prenapetosti, ki bi se lahko ustvarile zaradi nakopičene energije v priključnih kablilih med zagonom.
- Če zagon ne uspe, ne vztrajajte, ampak počakajte nekaj minut in ponovite postopek hitrega polnjenja.
- Zagon je treba vedno izvesti, ko je akumulator vključen. Glejte poglavje ZAGON.

(SK)


## NAVOD NA POUŽITJE




**UPOZORNIENJE: PRED POUŽITJEM NABIJAČKY AKUMULÁTOROV SI POZORNE PREČITAJTE NAVOD NA POUŽITJE!**

## 1. ZÁKLADNÉ BEZPEČNOSTNÉ POKYNY PRE OÚŽITIE TEJTO NABIJAČKY AKUMULÁTOROV



- Počas nabíjania sa z akumulatorov uvoľňujú výbušné plyny a preto zabráňte vzniku plameňov a iskier. NEFAJČITE.
  - Umiestnite nabíjaný akumulator do vetraneho priestoru.
- 
- **Osoby, ktoré nemajú skúsenosti so zariadením, by mali byť pred jeho používaním vhodné vyškolené.**
  - **Zariadenie môžu používať deti, ak majú najmenej 8 rokov, a osoby so zníženými fyzickými, zmyslovými alebo mentálnymi schopnosťami, alebo osoby bez skúsenosti alebo potrebných znalostí, za predpokladu, že sú pod dozorom, alebo že im boli poskytnuté pokyny ohľadom bezpečného použitia zariadenia a ohľadom pochopenia súvisiacich nebezpečenstiev.**
  - **Deti sa nesmú so zariadením hrať.**
  - **Čistenie a údržbu zariadenia, ktoré má vykonať užívateľ, nesmú vykonávať deti bez dozoru.**
  - Nabíjačku akumulatorov používajte len v interiéri a uistite sa, že ju používate v dostatočne vetraných priestoroch: NEVYSTAVUJTE DAŽDÚ ALEBO SNĚHU.
  - Pred zapojením alebo odpojením nabíjajúcich káblov od akumulatora odpojte napájací kábel zo siete.
  - Neprípájajte ani neodpájajte kliešte ku/od akumulatoru počas činnosti nabíjačky akumulatorov.
  - V žiadnom prípade nepoužívajte nabíjačku akumulatorov vo vnútri vozidla alebo v priestore motora.

- Napájací kábel nahraďte iba originálnym káblom.
  - Keď je napájací kábel poškodený, musí byť vymenený výrobcom alebo jeho servisnou službou, alebo osobou s podobnou kvalifikáciou, aby sa zabránilo akémukolvek riziku.
  - Nepoužívajte nabíjačku akumulatorov pre nabíjanie nenabíjateľných akumulatorov.
  - Skontrolujte, či napájacie napätie, ktoré je k dispozícii odpovedá napätiu uvedenému na identifikačnom štítku nabíjačky akumulatorov.
  - Aby ste pri použití nabíjačky akumulatorov na nabíjanie aj na štartovanie nepoškodili elektroniku vozidiel, pozorne si prečítajte, uschovajte a dodržujte upozornenie dodané výrobcom samotných vozidiel; to isté aj pre pokyny dodané výrobcom akumulatorov.
  - Súčasť tejto nabíjačky akumulatorov sú komponenty, ako napr. vypínače alebo relé, ktoré môžu vyvolať vznik oblúku alebo iskry; preto pri použití nabíjačky akumulatorov v autodielni alebo v podobnom prostredí, nabíjajte nabíjačku do miestnosti alebo do obalu vhodného na tento účel.
  - Zásahy do vnútorných častí nabíjačky akumulatorov v rámci opráv alebo údržby môže vykonať už len skúsený personál.
- 
- PRED VYKONANÍM AKÉHOKOLVEK ÚKONU ÚDRŽBY NABIJAČKY AKUMULÁTOROV, ODPOJTE NAPÁJACÍ KÁBEL Z ELEKTRICKEJ SIETE.**
- Skontrolujte, či je zásuvka vybavená ochranným uzemením.
  - Modely, ktoré nim nie sú vybavené, pripájajte k zásuvke zástrčky s vhodnou prídavkou kapacitou, odpovedajúcou hodnote poistky uvedenej na štítku.

## 2. ÚVOD A ZÁKLADNÝ POPIS

- Táto nabíjačka akumulatorov umožňuje nabíjanie olovených akumulatorov s voľným elektrolytom používaných v motorových vozidlách (benzinových aj naftových), motocykloch, plavidlách, atď.
- Nabíjací prúd dodávaný zariadením klesá podľa krivky W a v súlade s normou DIN A1774.
- Skriňa, v ktorej je nabíjačka akumulatorov nainštalovaná, je charakterizovaná stupňom ochrany IP 20 a je chránená proti priamemu i nepriamemu dotyku prostredníctvom zemnacieho vodiča, v súlade s predpisom pre prístroj triedy I.

## 3. INŠTALÁCIA MONTÁŽ (OBR. A)

- Rozbalte nabíjačku akumulatorov a vykonajte montáž oddelených častí nachádzajúcich sa v obale.
- Modely s vozikom sa inštalujú do zvislej polohy.

## UMIESTNENIE NABIJAČKY AKUMULÁTOROV

- Umiestnite nabíjačku akumulatorov tak, aby sa v priebehu svojej činnosti nachádzala v stabilnej polohe a uistite sa, že nič nebráni prístupu vzduchu príslušnými otvormi a že je teda zaručená dostatočná ventilácia.

## PRIPOJENIE DO SIETE

- Nabíjačka akumulatorov musí byť pripojená výhradne k napájaciemu systému s uzemneným nulovým vodičom. Skontrolujte, či napätie siete odpovedá prevádzkovému napätiu.
- Napájacie vedenie bude musieť byť vybavené ochrannými systémami, ako napr. poistkami alebo automatickými vypínačmi, schopnými znášať maximálnu prúdovú záťaž zariadenia.
- Pripojenie do siete musí byť vykonané použitím príslušného kábla.
- Prípadné predlžovacie káble napájacieho kábla musia mať vhodný prierez, ktorý nesmie byť v žiadnom prípade menší než prierez dodaného kábla.
- Je povinnosťou uzemniť prístroj s použitím žltozeleného vodiča napájacieho kábla, označeného štítkom (⊥), zatiaľ čo ostatné vodiče budú pripojené k rozvodu napätia.
- Zmena napätia sa vykonáva prostredníctvom príslušnej svorkovnice (FIG. E).

## 4. ČINNOSŤ PRÍPRAVA NA NABIJANIE

- POZN.:** Pred prístupím k nabíjaniu sa presvedčte, či kapacita akumulatorov (Ah), ktoré chcete nabíjať nie je nižšia než kapacita uvedená na identifikačnom štítku (C min). **Vykonajte jednotlivé operácie podľa pokynov prísne dodržiavajúce nižšie uvedený postup.**
- Odmontujte kryty akumulatorov (ak sú súčasťou), aby sa mohli uvoľniť plyny vznikajúce pri nabíjaní.
  - Skontrolujte, či hladina elektrolytu zakrýva mriežky akumulatora; v prípade, že sú odhalené, dolejte destilovanú vodu tak, aby zostali ponorené 5-10 mm.



**UPOZORNENIE! VENUJTE TEJTO OPERÁCII MAXIMÁLNU POZORNOSŤ, PRETOŽE ELEKTROLYT JE TVORENÝ VYSOKO KORÓZÍVNOU KYSELINOU.**

- Pripomíname, že presný stav nabitia akumulátora môže byť určený len s použitím hustomeru, ktorý umožňuje zmerať špecifickú hustotu elektrolytu; orientačne platia nasledujúce hodnoty hustoty roztoku (kg/l pri 20 °C): 1.28 = nabitý akumulátor; 1.21 = polonabitý akumulátor; 1.14 = vybitý akumulátor.
- S napájacím káblom odpojeným zo siete zapojte nabíjacie svorky podľa menovitého napätia napájaného akumulátora, prepnite prepínač do polohy odpovedajúcej nabíjaniu a prepnite časovač do polohy odpovedajúcej bežnému nabíjaniu.
- Skontrolujte polaritu zvierok akumulátorov: kladný pól označený symbolom + a záporný pól označený symbolom -.
- **POZNÁMKA:** keď sa symboly nezhodujú, pamätajte, že kladný pól je ten, ktorý nie je pripojený k podvozku auta.
- Pripojte nabíjacie kliešte červenej farby ku kladnému pólu akumulátora (symbol +).
- Pripojte nabíjacie kliešte čiernej farby ku podvozku auta, v dostatočnej vzdialenosti od akumulátora a od palivového rozvodu.
- **POZNÁMKA:** keď akumulátor nie je nainštalovaný v aute, vykonajte pripojenie priamo k zápornému pólu akumulátora (symbol -).

**NABÍJANIE**

- Zabezpečte nabíjanie nabíjačky akumulátora pripojením nabíjacieho kábla do siete.
- Ampérmeter (ak je súčasťou) ukazuje prúd (v ampéroch) nabitia akumulátora: počas tejto fázy bude možné pozorovať, že údaj na ampérmetra sa pomaly zmenší až na veľmi nízke hodnoty, v návaznosti na kapacitu a podmienky akumulátora.

**OBR. B**

**POZNÁMKA:** Keď je akumulátor nabitý, bude tiež možné pozorovať vznik „varu“ kvapaliny nachádzajúcej sa v akumulátore. Doporučuje sa prerušiť nabíjanie už pri vzniku tohoto javu, aby sa predišlo poškodeniu akumulátora.

Prostredníctvom prepínača zvolte hodnotu prúdu podľa druhu akumulátora a stavu jeho nabitia. Táto hodnota bude zobrazená ampérmetrom na stupnici s nižšou hodnotou. Nezabudnite na to, že pomalé nabíjanie je zárukou vyššej životnosti akumulátora, pretože sa pri ňom menej ohrieva, čím sa zabraňuje oxidácii dosiek a varu elektrolytu. Ideálna hodnota prúdu odpovedá 1/10 kapacity akumulátora vyjadrenej v Ampéroch/hodinu. Napríklad pre akumulátor s kapacitou 40 Ampérov je ideálnou hodnotou nabíjacieho prúdu hodnota 4 Ampére.

**Súčasné nabíjanie viacerých akumulátorov**

Tejto operácii venujte maximálnu pozornosť: UPOZORNENIE: nenabíjajte súčasne akumulátory odlišného druhu, s odlišnou kapacitou alebo vybíjaním.

V prípade potreby nabiť viacero akumulátorov súčasne je možné použiť „sériové“ alebo „paralelné“ zapojenie. S dvoch možných systémov sa odporúča zvoliť sériové zapojenie, umožňujúce kontrolu prúdu prúdiaceho v každom z akumulátorov, pretože jeho hodnota bude odpovedať prúdu znázornenému ampérmetrom.

**POZNÁMKA:** V prípade sériového zapojenia dvoch akumulátorov s menovitým napätím 12V je POTREBNÉ nastaviť nabíjačku do polohy 24V.

**OBR. C**

**UKONČENIE NABÍJANIA**

- Odpojte napájanie nabíjačky akumulátorov odpojením napájacieho kábla zo siete.
- Odpojte nabíjacie kliešte čiernej farby od podvozku auta alebo zo záporného pólu akumulátora (symbol -).
- Odpojte nabíjacie kliešte červenej farby z kladného pólu akumulátora (symbol +).
- Uložte nabíjačku akumulátora na suché miesto.
- Zavrite články akumulátora príslušnými uzávermi (ak sú súčasťou).

**ŠTARTOVANIE**

Pred zahájením štartovania vozidla sa uistite, že akumulátor je správne pripojený k príslušným svorkám (+ a -), a že sa nachádza v dobrom stave (nedošlo v ňom k vytvoreniu síranu a nie je chýbný). V žiadnom prípade neštartujte vozidlo s akumulátorom odpojeným od príslušných svoriek; pripojenie akumulátora je určujúce na

odstránenie prípadných prepätí, ktoré by mohli vzniknúť vďaka energii nahromadenéj v spojovacích kábloch počas štartovania.

Pri štartovaní prepnite prepínač (ak je súčasťou), alebo vypínač do polohy štartovania s napätím odpovedajúcim štartovanému vozidlu.

Pred otočením kľúča zapalovania je potrebné vykonať rýchle nabitie, ktoré trvá 5-10 minút, aby sa výrazne zjednodušilo samotné štartovanie.

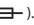
**Úkon rýchleho nabitia musí byť vykonaný výhradne s nabíjačkou v polohe nabíjania a NIE v polohe štartovania.**

Štartovanie sa spúšťa stlačením tlačidla diaľkového ovládania (len pri trojfázovom vyhotovení).

Poskytovaný prúd je zobrazený na stupnici ampérmetra s vyššou kapacitou.



**UPOZORNENIE: Pred zahájením štartovania sa dôkladne zoznámte s upozoreniami výrobcu vozidla!**

- Uistite sa, že je napájacie vedenie chránené poistkami alebo automatickými ističmi s hodnotou odpovedajúcou menovitej hodnote, uvedenej na štítku a označenej symbolom (  ).
- Aby sa predišlo prehriatiu nabíjačky, vykonajte operácie štartovania za PRÍŠNEHO dodržania cyklov pracovnej činnosti/pauzy, uvedených na zariadení (napríklad: ŠTARTOVANIE 3s ZAPNUTIE 120s VYP-5 CYKLOV). V prípade nenaštartovania motora vozidla nepokračujte v pokusoch o naštartovanie: skutočne by mohlo dôjsť k vážnemu poškodeniu akumulátora alebo dokonca k poškodeniu elektroinštalácie vozidla.

**5. OCHRANNÉ ZARIADENIA NABÍJAČKY AKUMULÁTOROV (OBR. D)**

Nabíjačka akumulátorov je vybavená ochranou, ktorá zasahuje v prípade:

- Preťaženia (nadmerný prúd dodávaný do akumulátora).
- Skrat (nabíjacie kliešte vzájomne spojené).
- Zámena polarita na svorkách akumulátora.
- Pri zariadeniach vybavených poistkami je v prípade ich výmeny povinné použitie obdobných poistiek s rovnakou menovitou hodnotou prúdu.



**UPOZORNENIE: Výmena poistky za inú s odlišnými hodnotami prúdu ako sú hodnoty uvedené na identifikačnom štítku by mohlo spôsobiť škody na zdraví a majetku. Z rovnakého dôvodu sa bezpodmienečne vyhnite nahradeniu poistky medenými premostovacími drôti alebo iným materiálom.**

**Výmena poistky musí byť vždy vykonaná s napájacím káblom ODPOJENÝM zo siete.**

**6. PRAKTICKÉ RADY**

- Vycistite svorky kladného a záporného pólu od možných zoxidovaných častíc, aby ste zabezpečili dobrý kontakt klieští.
- Jednoznačne sa vyhnite priamemu spojeniu dvoch klieští, keď je nabíjačka akumulátorov zapnutá do siete. V takomto prípade dôjde k vypáleniu poistky.
- Keď je akumulátor, ktorý má byť nabíjaný nabíjačkou akumulátorov naprevo vložený do vozidla, prečítajte si tiež návod na použitie a/alebo údržbu vozidla, konkrétne časť „ELEKTROINŠTALÁCIA“ alebo „ÚDRŽBA“. Pred zahájením nabíjania je vhodné odpojiť kladný kábel, tvoriaci súčasť elektroinštalácie vozidla.
- Pred pripojením akumulátora k nabíjačke skontrolujte jeho napätie; pripomíname, že 3 užívateľ charakterizujú akumulátor s napätím 6 Volt, 6 užívateľ akumulátor s napätím 12 Volt. V niektorých prípadoch sa môže jednať o dva akumulátory s napätím 12 Volt, zapojené do série; v takomto prípade je k súčasnému nabíjaniu oboch akumulátorov potrebné napätie 24 Volt. Uistite sa, že obidva akumulátory sa vyznačujú rovnakými vlastnosťami, aby ste predišli nerovnomernému nabíjaniu.
- Pred štartovaním vykonajte rýchle nabitie, trvajúce niekoľko minút: toto opatrenie zníži štartovací prúd a obmedzí tak prúdový odber zo siete. Pred zahájením štartovania vozidla sa uistite, že akumulátor je správne pripojený k príslušným svorkám (+ a -), a že sa nachádza v dobrom stave (nedošlo v ňom k vytvoreniu síranu a nie je vadný). V žiadnom prípade neštartujte vozidlo s akumulátorom odpojeným od príslušných svoriek; pripojenie akumulátora je určujúce na odstránenie prípadných prepätí, ktoré by mohli vzniknúť vďaka energii nahromadenéj v spojovacích kábloch počas štartovania.
- Keď nedôjde k naštartovaniu, vozidlo ďalej neštartujte a vyčkajte niekoľko minút, kým zopakujete úkon rýchleho nabitia.
- Štartovanie sa vykonáva vždy pri zapnutom akumulátore - viď odstavec ŠTARTOVANIE.

(HU)

## HASZNÁLATI UTASÍTÁS



**FIGYELEM: AZ AKKUMULÁTORTÖLTŐ HASZNÁLATA ELŐTT FIGYELMESEN OLVASSA EL A HASZNÁLATI UTASÍTÁST!**

### 1. ÁLTALÁNOS BIZTONSÁGI RENDELKEZÉSEK AZ AKKUMULÁTORTÖLTŐ HASZNÁLATÁHOZ



- Az akkumulátor töltése alatt robbanógázok jönnek létre, el kell kerülni láng és szikrák keletkezését. **TILOS A DOHÁNYZÁS.**

- A töltés alatt álló akkumulátorokat jól szellőző helyen kell elhelyezni.



- **A tapasztalatlan személyeket idejében, a készülék használatba vétele előtt be kell tanítani.**

- **A készüléket 8 évesnél nagyobb gyermekek és csökkent fizikai, érzékszervi vagy szellemi képességgel, illetve tapasztalattal és a szükséges ismeretekkel nem rendelkező személyek felügyelet mellett használhatják, vagy azt követően, hogy a készülék biztonságos használatára vonatkozó utasításokat megkapták és az azzal kapcsolatos veszélyeket megértették.**

- **A gyermekek nem játszhatnak a készülékkel.**

- **A felhasználó által elvégzendő tisztítást és karbantartást gyermekek felügyelet nélkül nem hajthatják végre.**

- Az akkumulátortöltő kizárólag zárt, jól szellőző helyiségben üzemeltethető. A BERENDEZÉS ESŐNEK VAGY HÓNAK NEM TEHETŐ KI.

- A töltőberendezés kábeleinek az akkumulátorhoz való csatlakoztatása vagy az azzal már létrejött csatlakozás megszakítása előtt az áramellátási kábel és a hálózat közötti kapcsolatot meg kell szakítani.

- Ne hozzon létre csatlakozást a fogók és az akkumulátor között, valamint ne szakítsa meg a már létrehozott ilyen csatlakozást az akkumulátortöltő üzemelésének ideje alatt.

- Ne használja az akkumulátortöltőt személygépkocsi, vagy a motorháztető terén belül.

- Az áramellátási kábel csak eredeti kábellel helyettesíthető.

- Ha a tápkábel sérült, akkor azt a gyártónak vagy a műszaki szervizszolgálatának vagy mindenestre hasonló szakképzettséggel rendelkező személynek kell elvégeznie bármiféle kockázat megelőzése érdekében.

- Ne használja az akkumulátortöltőt nem tölthető akkumulátorok töltésére.

- Ellenőrizni kell, hogy a rendelkezésre álló áramellátási feszültség megfelel-e az akkumulátortöltő adat-tábláján feltüntetettnek.

- Annak érdekében, hogy a járművek elektronikája ne károsodjon, a járművek gyártói által szolgáltatott használati utasítást gondosan el kell olvasni, meg kell őrizni és az abban feltüntetetteket be kell tartani úgy a töltés megkezdésekor, mint az akkumulátortöltő üzemelése során; ugyanez érvényes az akkumulátorok gyártója által megadott utasításokra.

- Ehhez az akkumulátortöltőhöz olyan alkatrészek tartoznak, nevezetesen a megszakítók vagy a relé, melyek ívek vagy szikrák létrejöttét idézhetik elő még akkor is, ha üzemeltetése garázsban vagy ahhoz hasonló helyiségben történik; az akkumulátortöltőt a célnak megfelelő helyen vagy tartóban kell tárolni.

- Az akkumulátortöltő belsejében javítási, vagy karbantartási műveleteket kizárólag szakértő személy végezhet.



**MINDIG HÚZZA KI A TÁPKÁBELT A HÁLÓZATBÓL BÁRMILYEN KARBANTARTÁSI BEAVATKOZÁS ELVÉGZÉSE ELŐTT AZ AKKUMULÁTORTÖLTŐN.**

- Ellenőrizze, hogy a csatlakozón van biztonsági földelő összeköttetés.

- Azokon a modelleken, melyeken nincs, csak olyan mértékű villásdugóval létesítsen összeköttetést, amely azonos az olvadóbiztosítók tábláskáján meghatározott értékkel.

### 2. BEVEZETŐ ÉS ÁLTALÁNOS ISMERTETÉS

- Ez az akkumulátortöltő lehetővé teszi az akkumulátor töltését motoros járműveken (benzin vagy diesel), motorkerékpárokon, kis hajókon stb. szabadon használt elektrolit ólommal.

- A berendezés által szolgáltatott töltési áram a W jelleggörbe szerint és a DIN 41774 előírással összhangban csökken.

- A tartó, amelyen elhelyezkedik IP 20-as védelmi fokozattal rendelkezik

és közvetlen kapcsolatokkal védett egy földelővezetéken keresztül, az I osztályú berendezéseknek megfelelően.

### 3. ÖSSZESZERELÉS BESZERELÉS (A ÁBRA)

- Csomagolja ki az akkumulátortöltőt, szerelje össze a csomagban található különböző részeket.
- A futóműves modelleket függőleges helyzetben kell felállítani.

### AZ AKKUMULÁTORTÖLTŐ ELHELYEZÉSE

- Az akkumulátortöltőt működése során szilárd helyzetbe kell állítani, és meg kell győződni arról, hogy a megfelelő nyílásokon keresztül, elégséges szellőzést biztosító levegőáramlás nem akadályozott.

### ÖSSZEKAPCSOLÁS AZ ÁRAMELLÁTÁSI HÁLÓZATTAL

- Az akkumulátortöltőt kizárólag földelt, nulla vezetékű áramellátási rendszerrel lehet összekapcsolni. Ellenőrizni kell, hogy a hálózati feszültség azonos értékű e a működési feszültséggel.
- A tápvezeték olyan védőerősítéssel, olvadóbiztosítékkal, vagy automata megszakítókkal kell legyen ellátva, melyek elegendőek a berendezés maximális abszorpciójának elviseléséhez.
- A hálózathoz való kapcsolást megfelelő kábellel kell végrehajtani.
- Az áramellátási kábel esetleges hosszabbításnak megfelelő keresztmetszetűnek kell lenniük, melynek értéke különben soha nem lehet kevesebb az áramellátási kábel keresztmetszete értékénél.
- A berendezés földelése mindig kötelező, amelyet a sárga-zöld színű és (↓) jelölésű hálózati csatlakozókábel segítségével tehet meg, míg a másik két vezeték a hálózati feszültségre kell rákapcsolni.
- A feszültségváltás egy erre a célra szolgáló feszültségváltó alapelem segítségével történik (FIG. E).

### 4. MŰKÖDÉS TÖLTÉS ELŐKÉSZÍTÉSE

**MEGJEGYZÉS: A töltés megkezdése előtt ellenőrizni kell, hogy a feltöltendő akkumulátor kapacitása (Ah) nem kevesebb a táblán feltüntetetté (C min.)**

**Az alábbi sorrend gondos betartásával végre kell hajtani az utasításokat.**

- El kell távolítani az akkumulátor fedelét (amennyiben vannak), hogy a töltés során keletkező gázok kiáramolhassanak.
- Ellenőrizni kell, hogy az elektrolit szintje befedi az akkumulátor lemezeit; amennyiben ezek fedetlenek mutatkoznak, desztillált vizet feltöltést kell alkalmazni úgy, hogy a lemezek 5-10 milliméterrel a folyadék alatt legyenek.



**FIGYELEM É MŰVELETNEK IGEN NAGY FIGYELMEL KELL SZENTELNI, MIVEL AZ ELEKTROLIT IGEN ERŐSEN MARÓ HATÁSÚ SAV.**

- Emlékeztetjük, hogy az akkumulátorok töltöttségének pontos mértéke csak egy sűrűségmérővel határozható meg, amely lehetővé teszi az elektrolit fajsűrűségének mérését; megközelítőleg a következő folyadéksűrűség értékek jellemzőek (Kg/l 20°C-on):

1.28 = feltöltött akkumulátor;

1.21 = félig töltött akkumulátor;

1.14 = lemerült akkumulátor.

- A hálózatról lekapcsolva villamosvezetékekkel kapcsolja össze a töltő kapocsait a feltöltendő akkumulátor névleges feszültségének megfelelően, a váltókapcsolót állítsa töltő helyzetbe és tegye a temporizálórt rendes töltés helyzetbe.

- Ellenőrizni kell az akkumulátor sarkainak polaritását: a pozitív polaritás jele (+) a negatívé (-).

**MEGJEGYZÉS:** amennyiben a jelek nem különböztethetők meg, emlékezni kell arra, hogy a pozitív sarak az, mely nem csatlakoztatott a gépkocsi alvázkeretéhez.

- A töltés piros színű fogóját az akkumulátor pozitív (+ jel) sarkához kell csatlakoztatni.

- A töltés fekete színű fogóját a gépkocsi alvázkeretéhez kell csatlakoztatni, az akkumulátortól és az üzemeny vezetékétől távol.

**MEGJEGYZÉS:** amennyiben akkumulátor nincs a gépkocsiba szerelve, közvetlenül az akkumulátor negatív sarkával (- jel) kell kapcsolást létrehozni.

### TÖLTÉS

- Az akkumulátortöltő áramellátása a tápvezeték kábelének a hálózati csatlakozóba való bekötésével kell hogy történjen.

- Az ampermérő (amennyiben van) jelzi az akkumulátor töltési áramát (amperben), e szakaszban megfigyelhető, hogy az ampermérő jelzése az akkumulátor kapacitásától és helyzetétől függően lassan csökken, egészen alacsony értékek eléréséig.

## B Ábr.

**MEGJEGYZÉS:** Miközben az akkumulátor töltés alatt áll megfigyelhető, hogy „pezsegni” kezd az a folyadék, melyet az akkumulátor tartalmaz. Az akkumulátor károsodásának elkerülése érdekében már e jelenség keletkezésekor ajánlatos megszakítani a töltést.

A váltókapcsoló segítségével válassza ki a töltés jelenlegi értékét az akkumulátor típusa és annak töltöttségi szintje szerint, mely értéket az ampermérő mutatja alacsonyabb értékű skálával. Emlékeztetjük, hogy a lassú töltés biztosíték az akkumulátor hosszabb élettartamára, hiszen kevésbé melegíti azt fel s ezáltal elkerülhető a lemezek oxidációja és az elektrolit forrása. Az áram ideális értéke az akkumulátor Amper/óra teljesítményének 1/10-e. Például egy 40 amperes akkumulátorhoz az ideális töltőáram 4 amper.

### Több akkumulátor egyidejű töltése

Ezt a műveletet a lehető legnagyobb figyelemmel végezze: FIGYELEM; ne töltsön egyidejűleg egymástól eltérő erősségű, lemerültségi fokú és típusú akkumulátorokat.

Akkumulátorok egyidejű töltésének szükségessége esetén a következő összeköttetés lehetséges: „szériában” vagy „párhuzamosan”. A két módszer közül javasolt a szériában történő összeköttetés, mivel ez esetben lehetőség van az egyes akkumulátorban jelenlévő áram ellenőrzésére, amely az ampermérő által értékelni lesz megfelelő.

**MEGJEGYZÉS:** 12 V névleges feszültséggel rendelkező, két akkumulátor soros kapcsolása esetén elő KELL készíteni az akkumulátortöltőt a 24V-os pozícióba.

## C. ÁBRA

### TÖLTÉS ÉMÉ

- Meg kell szakítani az akkumulátortöltő áramellátását eltávolítva annak kábelét a hálózati csatlakozóból.
- Meg kell szakítani a fekete színű töltési fogó csatlakozását a gépkocsi alvázkerevetével, vagy az akkumulátor negatív sarkával (- jelzés).
- Meg kell szakítani a piros színű töltési fogó csatlakozását az akkumulátor pozitív sarkával (+ jelzés).
- Az akkumulátortöltőt újabb száraz helyen kell elhelyezni.
- Megfelelő dugókkal (amennyiben vannak) újabb be kell csukni az akkumulátor celláit.

### BEINDÍTÁS

**A jármű beindításának végrehajtása előtt győződjön meg arról, hogy az akkumulátor helyesen van csatlakoztatva a megfelelő csatlakozókhoz (+ és -) és jó állapotban van (nem szulfatódott és nem rozsdás).**

**Semmilyen esetre se indítsa be a járművet akkor, ha az akkumulátor nincs a megfelelő csatlakozókhoz csatlakoztatva; az akkumulátor jelenléte alapvető fontosságú az esetleges túlfeszültségek kiküszöböléséhez, amelyek az indítási fázis folyamán a csatlakozókábelekben felhalmozódott energia hatására keletkezhetnek.**

A beindításhoz állítsa az indítókapcsolót (ha van) vagy a váltókapcsolót a beindító pozícióba, a beindítandó jármű feszültségének megfelelő feszültségre.


Az indítókulcs elforgatása előtt feltétlenül szükséges egy 5-10 perces gyors töltés elvégzése, amely rendkívül megkönnyíti az indítást. **A gyors töltés műveletét kizárólag töltés pozícióba és NEM indító pozícióba állított akkumulátortöltővel kell végrehajtani.**

A beindítás a távirányító gomb benyomásával történik meg (csak háromfázis esetén).

Az adagolt áramot az ampermérő skálája mutatja a legnagyobb terhelésnél.



**FIGYELEM: A művelet elvégzése előtt figyelmesen olvassa el a jármű gyártójának utasításait!**

- Győződjön meg arról, hogy a tápvezeték olyan automata biztosítékokkal vagy megszakítókkal van védve, amelyek értéke a táblán (  ) jellel jelölt értékeknek megfelelnek.
- Az akkumulátortöltő túlmelegedéseinek megakadályozása érdekében az indítási műveletet a készüléken feltüntetett munka-/szünetciklusok SZIGORÚ betartása mellett végezze el (példa: START 3s BE 120s KI-5 CIKLUS). Ne erőltesse az indítást, ha a jármű motorja nem indul be: komolyan megkárosodhat az akkumulátor vagy akár a jármű elektromos berendezése.

### 5. AZ AKKUMULÁTORTÖLTŐ VÉDELMEI (D Ábr.)

Az akkumulátortöltőt védelemmel van ellátva, mely az alábbi esetekben

lép működésbe:

- Túlterhelés (túlzott áramszolgáltatás az akkumulátor felé).
- Rövidzárlat (a töltési fogók kapcsolatba kerülnek egymással).
- A polaritás inverziója az akkumulátor sarkain.
- Az olvadóbiztosítékokkal ellátott berendezéseknél csere esetén kötelező analóg, a nominális áram azonos értékével rendelkező cserealkatrész használata.



**FIGYELEM: Az áram olyan értékével rendelkező olvadóbiztosítékkal való csere, mely nem éri el a táblán feltüntetettet, úgy személyné, mint tárgyra nézve veszélyes lehet. Ugyanezen oknál fogva maximálisan kerülni kell az olvadóbiztosítékok rész-mérőhidakkal, vagy egyéb anyagokkal való pótlását.**

**Az olvadóbiztosíték cseréjének műveletét a hálózattól MEGSZAKÍTOTT áramellátási kábellel kell végezni.**

### 6. HASZNOS TANÁCSOK

- Tisztítsa meg a pozitív és negatív vezetékcsatlakozásokat a lehetséges oxidszennyeződésekkel, úgy, hogy a fogó megfelelő érintkezése biztosítva legyen.
  - A lehető legbiztosabban kerülje a két fogó érintkezését, amikor az akkumulátortöltő hálózat alatt áll. Ellenkező esetben az olvadóbiztosíték ki fog égni.
  - Ha az akkumulátor, amelynek töltéséhez az akkumulátortöltőt fel kívánja használni, állandó jelleggel egy járművön helyezkedik el, a jármű használati és/vagy karbantartási utasításaira vonatkozó kézikönyvet is olvassa el az "ELEKTROMOS MŰSZEREK" vagy "KARBANTARTÁS" címszavak alatt. Mielőtt a töltéshez kezd, ha lehetséges, szakítsa meg az összeköttetést a jármű elektromos részereinek részét képező pozitív kábellel.
  - Ellenőrizze az akkumulátor feszültségét annak töltőre csatlakoztatása előtt, ne felelje, hogy 3 kupak egy 6V-os, 6 kupak egy 12V-os akkumulátort jelent. Bizonyos esetekben lehetséges két 12 Voltos akkumulátor jelenléte szériában, ebben az esetben 24 Voltos feszültség szükséges a két akkumulátor feltöltéséhez. A töltés egyenletlenségeinek elkerülése végett, bizonyosodjon meg róla, hogy ezek azonos tulajdonságokkal bírnak.
  - A beindítás végrehajtása előtt végezzen el egy néhány perccig tartó, gyors töltést: ez korlátozni fogja az indítóáramot, amely következtében kevesebb áramot is vesz fel a hálózatról. A jármű beindításának végrehajtása előtt győződjön meg arról, hogy az akkumulátor helyesen van csatlakoztatva a megfelelő csatlakozókhoz (+ és -) és jó állapotban van (nem elsulfatódott és nem rozsdás).
- Semmilyen esetre se indítsa be a járművet akkor, ha az akkumulátor le van csatlakoztatva a megfelelő csatlakozókról; az akkumulátor jelenléte alapvető fontosságú az esetleges túlfeszültségek kiküszöböléséhez, amelyek az indítási fázis folyamán a csatlakozókábelekben felhalmozódott energia hatására keletkezhetnek.
- Ha nem sikerül a beindítás, ne erőltesse, hanem várjon néhány percet és ismételje meg a gyors töltési műveletet.
  - Az indításokat mindig csatlakoztatott akkumulátorral kell végrehajtani, lásd a BEINDÍTÁS bekezdést.

(LT)

## INSTRUKCIJŲ KNYGĖLĖ



**DĖMESIO: PRIEŠ NAUDOJANT BATERIJŲ ĮKROVIKLĮ ATIDŽIAI PERSKAITYTI INSTRUKCIJŲ KNYGĖLĮ!**

### 1. BENDRI NAUDOJAMO REIKALAVIMAI ŠIO BATERIJŲ ĮKROVIKLIO NAUDOJIMUI



- Įkrovimo metu baterijos išskiria sprogtančias dujas, vengti liepsnos ar kibirkščių susidarymo. NERUKYTI.
- Įkrovinėti baterijas gerai vėdinamoje vietoje.



- **Patyrimo neturintys asmenys, prieš naudodami prietaisą, turi būti tinkamai apmokyti.**
- **Vaikams nuo 8 metų amžiaus ir asmenims su ribotais fiziniais, jusliniais arba protiniais gebėjimais arba asmenims, neturintiems pakankamai patirties ir žinių, šį įrenginį leidžiama naudoti tik prižiūrint kitam asmeniui arba jei jie buvo apmokyti kaip saugiai naudotis įrenginiu ir supranta apie galimo pavojus.**
- **Vaikams žaisti su įrenginiu draudžiama.**
- **Vaikams atlikti valymo ir naudotojui skirtus techninės priežiūros darbus, jei neprižiūri kitas asmuo, draudžiama.**
- Naudoti baterijų įkroviklį tik uždarose patalpose ir įsitikinti, kad jos yra gerai vėdinamos: NENAUDOTI PRIETAISO LYJANT AR SNINGANT.
- Prieš sujungiant ar atjungiant įkrovimo laidus nuo baterijų, atjungti maitinimo laidą iš tinklo.
- Nejungti gnybtų prie baterijos, baterijų įkrovimo metu.
- Jokiais būdais nenaudoti baterijų įkroviklio automobilio ar kapoto viduje.
- Pakeisti maitinimo laidą tik originaliu laidu.
- Jei maitinimo kabelis yra pažeistas, gamintojas arba jo įgalotos techninio aptarnavimo centras turi jį pakeisti nauju, bet kokiu atveju šį darbą privalo atlikti tik panašios kvalifikacijos asmuo, tokiu būdu bus išvengta bet kokios rizikos.
- Nenaudoti baterijų įkroviklio neįkraunamos baterijoms.
- Patikrinti, ar disponuojama maitinimo įtampa atitinka įtampą, nurodytą baterijų įkroviklio duomenų lentelėje.
- Kad nebūtų pažeista automobilio elektronika, perskaityti, išsaugoti ir be išlygų laikytis automobilio gamintojų nurodymų, tiek baterijų įkrovimo metu, tiek jo pradžioje ar baterijoms pasikrovus; visa tai galioja ir baterijų įkroviklio gamintojų nurodymams.
- Šis baterijų įkroviklis yra sudarytas iš dalių, tokių kaip jungikliai arba relės, galinčių uždegti elektros lankus arba žiebiti žiežirbas; todėl, jei yra naudojami techninėse dirbtuvėse ar panašioje aplinkoje, baterijų įkroviklis turi būti laikomas tam tikslui pritaikytoje patalpoje ar saugykloje.
- Bet kokia priežiūra ar taisymas, vykdomi baterijų įkroviklio viduje, turi būti atliekami tik specializuoto personalo.
- **PRIEŠ ATLIEKANT BET KOKIUS AKUMULATORIAUS ĮKROVIKLIO TECHNINIS PRIEŽIŪROS VEIKSMUS, MAITINIMO KABELĮ VISADA ATJUNGTI NUO ELEKTROS ENERGIUOS TIEKIMO TINKLO.**
- Patikrinti, ar lizde yra numatytas apsauginis sujungimas su žeme.
- Modeliuose, kuriuose jo nėra, sujungti kištukus, kurių maksimali apkrova atitinka lydziojo saugiklio dydį, nurodytą duomenų lentelėje.

### 2. ĮVADAS IR BENDRAS APRAŠYMAS

- Šis baterijų įkroviklis įkrauna švino baterijas su laisvaisiais elektrolitais, naudojamoms motorinėse transporto priemonėse (varomose benzinu ir dizeliniu kuru), motocikluose, motorinėse valtyse, ir t.t.
- Prietaiso tiekiama įkrovimo srovė, mažėja pagal tipišką kreivę W ir pagal DIN 41774 normatyvą.
- Dėžė, kurioje yra instaliuotas, turi IP 20 apsaugos laipsnį ir yra apsaugota nuo netiesioginių kontaktų žemininko laidininku pagal I klasei priskiriamų prietaisų reikalavimus.

### 3. INSTALIAVIMAS PARUOŠIMAS (PAV. A)

- Išpakuoti baterijų įkroviklį, surinkti atskiras pakuotėje esančias dalis.
- Modeliai su vežimėliu turi būti instaliuojami vertikalioje pozicijoje.

### BATERIJŲ ĮKROVIKLIO PADĖTIS

- Darbo metu baterijų įkroviklis turi būti stabilioje padėtyje, āsitikinti, kad nėra trukdoma patekti orui pro specialias ertmes ir yra uātkrinta pakankama ventilacija.

### PRIJUNGIMAS PRIE TINKLO

- Baterijų įkroviklis turi būti jungiamas tik prie maitinimo sistemos su neutraliu žemintu laidininku.
- Patikrinti, ar tinklo įtampa atitinka darbui reikalingą įtampą.
- Maitinimo linija turėtų būti pritaikyta prie apsaugos įrenginių, tokių kaip lydieji saugikliai arba automatiniai pertraukikliai, kurių pakaktų maksimaliam įrenginio panaudojimui.
- Prijungimas prie tinklo turi būti atliekamas naudojant specialų laidą.
- Galimi maitinimo laido prailginimai turi būti atitinkamo skersmens, ir ne mažesnio kaip originalaus laido.
- Yra būtina prietaisą sujungti su žeme, naudojant geltonos-žalios spalvos maitinimo kabelio laidininką, pažymėtą etikete (±), tuo tarpu kiti du laidininkai turi būti prijungti prie įtampos tinklo.
- Įtampos pakeitimas galimas atitinkamo įtampos keitimo taško pagalba (FIG. E).

### 4. DARBAS PASIRUOŠIMAS ĮKROVIMUI

**ĀSIDĖMĖKITE: Pried vykdyant ākrovimą, patikrinti kad norimų įkrauti baterijų pajėgumas (Ah) yra ne mažesnis, nei pajėgumas, nurodytas duomenų lentelėje (C min).**

**Laikytis besālygiškai šios knygelės nurodymų, sekant jų eiliškumą.**

- Nuimti baterijų dangtelius (jei jie yra), tam, kad baterijų įkrovimo metu susidarancios dujos galėtų išeiti.
- Patikrinti, ar elektrolito lygis, dengia baterijų pokštes; jei jos yra nepakankamai padengtos, įpliti distiliuoto vandens iki tiek, kad jos būtų panaardintos 5-10 mm.



**DĖMESIO! ŠIOS OPERACIJOS METU BŪTINAS YPATINGAS ATSARGUMAS, NES ELEKTROLITAS YRA LABAI KOROZINĖ RŪGŠTIS.**

- Būtina prisiminti, kad tikslus baterijų įkrovimo stovis gali būti nustatytas tik naudojant densimetra, kurio pagalba įmanoma išmatuoti specifinį elektrolito tankį; galioja šie santykiiniai tirpalo tankio dydziai (Kg/l prie 20°C):  
1.28 = baterija įkrauta;  
1.21 = baterija pusiau išsikrovusi;  
1.14 = baterija išsikrovusi.
- Maitinimo kabelis turi būti atjungtas nuo maitinimo tinklo. Sujungti įkrovimo gnybtus pagal norimo įkrauti akumulatoriaus nominalią įtampą, nustatyti komutatorių įkrovimo pozicijoje, nustatyti laiko žymeklį normalaus įkrovimo pozicijoje.
- Patikrinti baterijos gnybtų poliškumą: teigiamas simbolis + ir neigiamas simbolis -.

PASTABA: jei simbolių neįmanoma atpažinti, prisiminti, kad teigiamas gnybtas yra tas, kuris neįjungiamas prie automobilio karkaso.

- Sujungti raudonos spalvos įkrovimo gnybtą su teigiamu baterijos gnybtu (simbolis +).

- Sujungti juodos spalvos įkrovimo gnybtą su automobilio karkasu, toliau nuo baterijos ir nuo degalų kanalo.

PASTABA: jei baterija nėra instaliuota automobilyje, jungti tiesiogiai prie baterijos neigiamo gnybto (simbolis -).

### ĀKROVIMAS

- Įjungti baterijų įkroviklio maitinimo laidą į maitinimo tinklo lizdą.

- Amperometras (jei jis yra) parodo baterijos įkrovimo srovę (amperais): šios fazės metu pastebima, kad amperometro parodymai iš lėto sumažėja iki labai žemų reikšmių, priklausomai nuo baterijos pajėgumo ir būklės.

### PAV. B

**PASTABA:** kai baterija yra įkrauta gali būti pastebimas baterijos esančio skysčio "užvirimo" reikšmys. Patariama jau pačioje šio reikšminio pradžioje nutraukti įkrovimą, tam kad būtų išvengta baterijos sugadinimo.

Komutatoriaus pagalba pasirinkti įkrovimo srovės dydį pagal norimo pakrauti akumulatoriaus rūšį ir jo išsikrovimo būklę, pastarąjį dydį parodo amperometras, žemesnių dydžių skalėje. Atsiminkite, kad lėtesnis įkrovimas garantuoja ilgesnį akumulatoriaus eksploataavimo trukmę, nes mažiau jį įkaitina, be to išvengiama pokščių oksidacijos bei elektrolitų užvirimo. Idealus srovės dydis yra 1/10 akumulatoriaus maksimalios apkrovos amperų/valandą. Pavyzdžiui, 40 amperų akumulatoriaus idealus įkrovimo dydis yra 4 amperai.



## Sinchroninis kelių baterijų pakrovimas

Ši operacija turi būti atliekama su maksimaliu atsargumu: DĖMESIO; neįkrovinti baterijų, kurios tarpusavyje yra skirtingų pajėgumų, išskirovimi ir rūšiu.

Norint pakrauti keletą baterijų tuo pačiu metu, galima naudotis nuosekleliu arba lygiagrečiuoju jungimu. Tarp dviejų sistemų yra patariamas nuoseklus jungimas, nes tokiu būdu galima kontroliuoti cirkuliuojančių srovę kiekvienoje baterijoje, ji atitikis srovę, žymimą ampermetru.

**PASTABA:** Nuoseklelio dviejų akumuliatorių, kurių nominali įtampa 12V, sujungimo atveju, akumuliatoriaus įkroviklį BŪTINA nustatyti 24V padėtyje.

### PAV. C

## AKROVIMO PABAIGA

- Išjungti baterijų (OFF) įkroviklio maitinimą atjungiant maitinimo laidą iš tinklo lizdo.
- Atjungti juodos spalvos įkrovimo gnybtą nuo automobilio karkaso arba nuo neigiamo baterijos gnybto (simbolis -).
- Atjungti raudonos spalvos įkrovimo gnybtą nuo teigiamo baterijos gnybto (simbolis +).
- Perkelti baterijų įkroviklį į sausą vietą.
- Uždengti baterijos angas specialiais dangteliais (jei jie yra).

## PALEIDIMAS

Prieš atliekant automobilio paleidimą, įsitikinti, kad akumuliatorius yra gerai prijungtas prie atitinkamų gnybtų (+ ir -), ir kad jo stovis yra neprikaištingas (nėra sulfonintas ar sugadintas).

Jokias būdais neatiklinėti automobilių paleidimo prie akumuliatoriaus, kuris yra atjungtas nuo atitinkamų gnybtų; akumuliatoriaus buvimas yra labai svarbus pašalinant įtampos perviršius, kurie gali susidaryti dėl sujungimo laiduose paleidimo fazėje susikaupusios energijos efekto.

Paleidimui nustatyti komutatorių (jei jis yra) arba perjungiklį paleidimo padėtyje, įtampa turėtų atitikti norimo paleisti automobilio įtampą.

Prieš pasukant paleidimo raktą, labai svarbu atlikti greitą 5-10 minučių pakrovimą, tai labai palengvins paleidimą. **Greito pakrovimo operacija turi būti atlikta tik nustatčius akumuliatoriaus įkroviklį įkrovimo, o NE paleidimo padėtyje.**

Paleidimas prasidės paspaudus nuotolinio valdymo mygtuką (tik trifiksijė).

Tiekama srovė bus rodoma ampermetre, kurio maksimalios apkrovos skalė yra aukštesnė.



**ĮSPĖJIMAS:** Prieš pradėdant, atidžiai perskaityti automobilių gamintojų įspėjimus!

- Įsitikinti, kad maitinimo linija yra apsaugota lydziaisiais saugikliais arba automatiniais pertraukikliais, kurių vertės turi atitikti duomenų lentelėje simboliu (—) pažymėtas dydžius.
- Norint išvengti akumuliatoriaus įkroviklio perkaitimo, atlikti paleidimo operaciją GRIEŽTAI laikantis darbo/pertraukos ciklų, nurodytų ant paties prietaiso (pavyzdžiui: START 3s ON 120s OFF-5 CYCLES). Primitytinai nekartoti paleidimo, jei automobilio variklis neužsiveda: šie veiksmai gali rimtai pakenkti akumuliatoriui arba net sugadinti automobilio elektros įrangą.

## 5. AKUMULIATORIAUS ĮKROVIKLIO APSAUGOS ĮTAISAI (PAV. D)

Baterijų įkroviklyje yra numatyti apsaugos įrenginiai, kurie įsijungia:

- Perkrovimo atveju (baterijai tiekama per didelė srovė).
- Trumpo sujungimo atveju (įkrovimo gnybtai kontaktuoja vienas su kitu).
- Baterijos gnybtų poliškumų inversijos atveju.
- Įtaisuose su lydziaisiais saugikliais jų pakeitimo atveju yra privaloma naudoti analogiškus lydziausius saugiklius su tomis pačiomis vardinės srovės vertėmis.



**DĖMESIO:** Pakeisti lydzijų saugiklį, jei jo srovės dydis kitoks, nei nurodytas duomenų lentelėje, priešingu atveju kils rizika patirti nuostolių materialinėms gėrybėms ir pavojus žmonėms. Dėl tos pačios priežasties, absoliučiai vengti naudoti pakeitimus lydziausius saugiklius su variniais ar kitų medžiagų tilteiliais.

Lydzijų saugiklį pakeitimo operacijos turi būti visada atliekamos, kai maitinimo laidas yra ATJUNGTAS nuo tinklo.

## 6. NAUDINGI PATARIMAI

- Nuvalyti nuo teigiamo ir neigiamo gnybto galimas oksidacijos apnašas tokiu būdu užtikrinant gerą gnybtų kontaktą.
- Absoliučiai vengti dviejų gnybtų sujungimo, kai baterijų įkroviklis yra

prijungtas prie tinklo. Tokiu atveju gali sudegti lydzius saugiklis.

- Jei akumuliatoriaus, su kuriuo ketinama naudoti šį baterijų įkroviklį, nėra išimtas iš automobilio, perskaityti automobilio instrukcijų ir/ar priežiūros knygelės skyrių "ELEKTRINĖ ĮRANGA" arba "PRIEŽIŪRA". Prieš pradėdant pakrovimą, geriau atjungti teigiamą laidą, kuris yra automobilio elektrinės įrangos dalis.
- Patikrinti baterijų įtampą prieš jungiant prie baterijų įkroviklio, svarbu prisiminti, kad 3 kamščiai žymi 6 Voltų, 6 kamščiai 12 Voltų baterijas. Kai kuriais atvejais gali būti dvi 12 Voltų baterijos sujungtos nuosekliai, tokiu atveju reikės 24 Voltų įtampos abiejų akumuliatorių pakrovimui. Įsitikinti, kad turi tiktus pat duomenis, kad pakrovimo metu būtų išvengta balanso netekimo.
- Prieš pradėdant paleidimą, atlikti greitą keleto minučių trukmės įkrovimą; tai apribos paleidimo srovę, bei sumažins srovės poreikį iš tinklo. Prieš paleidžiant automobilį, prisiminti patikrinti, ar akumuliatorius yra gerai sujungtas su atitinkamais gnybtais (+ ir -) ir ar jo stovis yra neprikaištingas (nėra sulfonintas ar sugadintas). Jokias būdais neatiklinėti automobilių paleidimo prie akumuliatoriaus, kuris yra atjungtas nuo atitinkamų gnybtų; akumuliatoriaus buvimas yra labai svarbus pašalinant įtampos perviršius, kurie gali susidaryti dėl sujungimo laiduose paleidimo fazėje susikaupusios energijos efekto
- Primitytinai nekartoti paleidimo, jei automobilis neužsiveda, bet palaukti keletą minučių ir pakartoti greito įkrovimo operaciją.
- Paleidimas visada turi būti atliekamas prie įvesto akumuliatoriaus, žiūrėti paragrafą PALEIDIMAS.

(ET)

## KASUTUSJUHEND



**TĀHELEPANU: ENNE AKULAADIJA KASUTAMIST LUGEGE HOOLEGA LĀBI KASUTUSJUHEND!**

## 1. ŪLDISED HOIATUSED AKULAADIJA KASUTAMISEKS




- Laadimise ajal akud eraldavad plahvatusohtlike gaase, vāltige leekide ja sādemete teket. ĀRGE SUITSETAGE.
- Asetage laetavad akud hāsti ventilēeritud ruumi.



- **Vastavat kogemust mitteomavid isikuid tuleb enne seadme kasutamist selles suhtes instrueerida.**
- **Seadet tohivad kasutada ūle 8 aastased lapsed ja vāikeste fūiisliste, sensoriaalsete vōi vaimsete puuetega inimesed, samuti kogemusteta ja vajalike teadmisteta inimesed, jārelvalve all vōi peale seadme ohutut kasutamist ja sellest tulenevaid riske puudutava vāljaōppe saamist.**
- **Lastel on keelatud seadmevā māngida.**
- **Puhastus ja hooldus peavad olema lābi viiidud kasutaja poolt, kuid mitte laste poolt ilma jārelvalveta.**
- Kasutage akulaadijāt ainult siseruumides ja kindlustage, et tōotate hāsti ventilēeritud keskkonnas: ĀRGE JĀTKE LUME VōI VIHMA KĀTTE.
- Enne aku laadimiskaablite ūhendamist vōi lahutamist, eemaldage voolujuhe vooluvōrgust.
- Ārge ūhendage ega lahutage klemme akuga akulaadija tōotamise ajal.
- Ārge kasutage mitte mingil juhul akulaadijāt autokabinis vōi -kapotis.
- Vahetage voolujuhe vālja ainult originaaljuhtmega.
- Mis tahes riski vāltimiseks tuleb toetekaabel, juhul, kui see on kahjutada saanud valmistaja vōi tema tehnilise abi teenuse poolt, igal juhul vastava ettevalmistuse saanud isiku poolt, vālja vahetada.
- Ārge kasutage akulaadijāt mitte laaditavate akude laadimiseks.
- Kontrollige, et kāsutuses olev voolujupeing vastab akulaadija andmeplaadil nāidatud andmetele.
- Et vāltida sōidukite elektroonika kahjustamist laetud vōi laadimise all oleva aku kasutamise ajal, lugege, sālitage ja jārgige hoolega sōidukite tootja poolt ettenāhtud hoiatusi. Sama kehtib ka akutootjate poolt ettenāhtud hoiatustega.
- Akulaadija sisaldab osasid, nagu lūlitid vōi relee, mis vōivad esile kutsuda pritsmeid vōi sādemeid. Juhul, kui kasutate seadet garaažis vōi sarnases keskkonnas, seadke akulaadija eesmārgiks sobivasse ruumi vōi kaitssesse.
- Akulaadija sisemuses tohib teostada parandus ja hooldus tōid ainult

vastava kvalifikatsiooniga personal.

-  **ENNE IGAT HOOLDUSEGA SEOTUD TOIMINGUT AKULAADIJA EEMALDAGE TOITEKAABEL VOOLUVÖRGUST.**
- Kontrollige, et pesa on kaitsemaandatud.
- Mittemaandatud mudelitel korral, ühendage need pistikutega, mille väärtus sobib andmeplaadil näidatud kaitsekorkide väärtusega.

## 2. SISSEJUHATUS JA ÜLDINE KIRJELDUS

- See akulaadija võimaldab laadida vabade elektrolüütidega tinaakusid, mida kasutavad mootorsõidukid (bensiin või diisel), mootorrattad, laevad jne.
- Seadme poolt varustatud laeng väheneb järgides W-kõverjoont, mis on kooskõlas normatiiviga DIN 41774.
- Konteiner, kuhu on monteeritud seade, vastab kaitseastme IP 20 nõuetele ja on kaitsitud kaudsete kontaktide eest maanduskaabliga, nagu määratud klass I aparaatidele.

## 3. MONTAAZ

### MONTAAZ (Pilt A)

- Pakkige akulaadija lahti, monteeringe pakendiga kaasasolevad lahised osad seadmele.
- Ratastega mudelid monteeringe vertikaalasendis.

## AKULAADIJA ASUKOHT

- Et tagada korrekne laadimine paigaldage akulaadija stabiilselt ja kindlustage, et küllaldane õhuvahetus on garanteeritud vastavate avade kaudu.

## ÜHENDUS VOOLUVÖRKU


- Akulaadija peab olema ühendatud ainult toitesüsteemiga, mis omab maaga ühendatud neutraaljuhet.
- Kontrollige, et voolupinge vastab rakendatavale pingele.
- Vooluvõrk peab olema varustatud kaitsesüsteemiga, nagu nt. kaitsekorgid või automaatne voolukatkestaja, küllaldased kandma maksimaalpinget.
- Ühendades seade vooluvõrku, kasutage ainult selleks ettenähtud kaablit.
- Võimalik pikendusjuhe peab omama vastavat ühendussektiooni ja ei tohi olla väiksem voolukaablist.
- On kohustuslik alati ühendada aparaat maandussüsteemiga, kasutades selleks märgisega (+) tähistatud toiteliini kollast-rohelist värvi elektrikaablit. Kaks ülejäänud elektrikaablit tuleb ühendada pingeliiniga.
- Pinge vahetus toimub vastava pingevahetuslülitit kaudu (FIG. E).

## 4. KEEVITAMINE

### ETTEVALMISTAMINE LAADIMISEKS

**NB:** Enne laadimise alustamist kontrollige, et laaditavate akude võimsus (Ah) ei ole madalam sellest, mis on näidatud andmeplaadil (C min).

Järgige hoolikalt altoodud kasutusjuhendite järjekorda.

- Eemaldage võimalikud akupaneelid (kui kasutusel) nii, et laadimise ajal kogunenud gaasid võivad välja voolata.
  - Kontrollige, et elektrolüüdi tase on katab akuplaadid. Kui plaadid peaksid olema kuivad, katke need destilleeritud veega kuni 5-10mm-ni.
-  **TÄHELEPANU! OLGE VÄGA ETTEVAATLIKUD SEDA TOIMINGUT TEHES KUNA ELEKTROLÜÜT ON ÄÄRMISELT KORRUDEERUV HAPE.**

- Tuletame meelde, et akude täpset laetust võib määrata ainult kasutades tihedusmõõturit, mis võimaldab mõõta elektrolüüdi spetsiifilist tihedust; indikatiivset arvstavega järgnevate lahuse tihedusväärtustega (Kg/l 20°C juures):
  - 1.28 = aku laetud;
  - 1.21 = aku poollaetud;
  - 1.14 = aku tühi.
- Kui toitekaabel on vooluvõrgust lahti ühendatud, ühendage laadimisklemmid vastavalt laetava aku nimipingele. Viige kommutaator laadimispositsiooni ja valige ajaldiga normaalaengu positsiooni.
- Kontrollige akuklambrite polaarust: positiivse polaaruse sümbol on + ja negatiivse polaaruse sümbol on -.

- MÄRGE:** juhul, kui polaaruse sümbolid ei ole nähtavad, tuletame meelde, et positiivne klamber on see, mis ei ole ühendatud autokerega.
- Ühendage punane pingeklemm positiivse akuklambriga (sümbol +).
- Ühendage must pingeklemm autokerega, kaugele akust ja mootorikütuse torujuhtmestikust.
- MÄRGE:** kui aku ei ole monteeritud autole, ühendage otse aku

negatiivse klambriga (sümbol -).

## LAADIMINE

- Alustage laadimise ühendades voolujuhe vooluvõrguga.
- Ampermeeter (kui kasutusel) näitab aku voolupinget (amprites): selle toimingu jooksul märkate, et Ampermeetri osuti langeb aeglaselt kuni väga madala tasemeni olenevalt aku võimsusest ja iseloomust.

### PILT. B

**MÄRGE:** Kui aku on laetud on võimalik märgata aku sees oleva vedeliku n. ö., „keemist“. Soovitame katkestada laadimine juba enne, „keemise“ algust, et vältida aku kahjustamist.

Valige kommutaatori vahendusel laengu vooluväärtus, lähtudes akumulaatori tüübist ja selle laengu seisukorrast. Mainitud väärtust näitab kõige madalama skaalaväärtusega ampermeeter. Tuletame meelde, et aeglane laadimine garanteerib aku pikema elua, kuna see soojendab vähem akut, vältides plaatide oksüdeerumise ja elektrolüüdi keemise. Ideaalne vooluväärtus on 1/10 aku kapasiteedist Amper/tunnis. Näiteks 40 Ampriga aku ideaalseks laengu väärtuseks on 4 Amprit.

## Mitte aku samaaegne laadimine

Teostage äärmiselt ettevaatlikult seade tüüpi operatsioon: TÄHELEPANU; ärge laadige akusid, mis omavad erinevat mahtuvust, mahalaadimist ja tüüpi omavahel.

Vajaduse korral, laadides samaaegselt mitut akut, on võimalik kasutada „järjestikku“ või „paralleel“ ühendusi. Nendest kahest ühendussüsteemist soovitame „järjestikku“ ühendust, kuna sellisel moel on võimalik kontrollida ringlevat voolu igas akus eraldi, mis on samane ampermeetril näidatud väärtusega.

**MÄRGE:** Kahe järjestikku ühendatud 12V nimipingega aku korral TULEB akulaadija seadistada väärtusele 24V.

### PILT. C

## LAADIMISE LÕPETAMINE

- Eemaldage voolu juurdepääs akulaadijale ühendades voolujuhe voolukaablist lahti.
- Ühendage lahti must klemm autokerele või aku negatiivsest klambrist (sümbol -).
- Ühendage lahti punane pingeklemm aku positiivsest klambrist (sümbol +).
- Asetage akulaadija tagasi kuiva keskkonda.
- Sulgege aku kambrid vastavate kaantega (kui kasutusel).


## KÄIVITAMINE


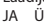
Enne sõiduki käivitamist kontrollige, et aku oleks ühendatud sobilike klemmidega („+“ ja „-“) ja korras (sulfaadist puhjas ja terve). Mitte mingil juhul ei tohi sõidukit käivitada juhul, kui aku on klemmide küljest lahti ühendatud; aku on määrava tähtsusega element käivitamise käigus ühendusjuhtmetesse koguneda võiva ülepinge maandamisel.

Käivitamiseks seadke poordlülit (selle olemasolul) või tavalülit käivitamisasendis sõltuvalt pingest, mis on käivitava sõiduki jaoks vajalik.

Enne süütevõtme keeramist laadige akut 5-10 minutit see lihtsustab käivitamist tunduvalt. Kiirilaadimise teostamiseks peab laadija olema kindlasti laadimisrežiimil ja MITTE MIINGIL JUHUL käivitusrežiimil. Käitamisesse vajutage kaugjuhtimise nupule (ainult kolmefaasilise laadija korral).

Edastatava voolu tugevust kuvatakse suurema mõõtepiirkonnaga ampermeetri skaalal.

 **TÄHELEPANU: Enne mistahes toimingutega alustamist tuleb veenduda, et kinni on peetud sõiduki valmistaja juhistest!**

- Kontrollige, et toiteliinile on paigaldatud kaitsekorgid või rikkevoolukaitselülid, mille näitajad peavad kokku langema etiketil (  ) sümboliga märgitud väärtustega.
- Laadija ülekuumenemise vältimiseks viige käivitamist läbi AINULT JA ÜKSNEST korral, mille näitajad peavad kokku langema etiketil (  ) sümboliga märgitud väärtustega. Ärge püüdke mootorit iga hinna eest käivitada: seejuures võivad viga saada ja kasutamiskõlbatuks muutuda nii aku kui ka kogu sõiduki elektrisüsteem.

## 5. AKULAADIJA KAITSED (PILT. D)

Akulaadija on varustatud kaitsega, mis rakendub järgnevate olukordade tagajärjel:

- Ūlelaadimine (liigne voolu jaotus akule).
- Lūhiühendus (klambrid puutuvad kokku omavahel).
- Akuklambrite poolsuste ümbervahetus.
- Kaitsekorkide väljavahetamise korral on kohustuslik kasutada analoogse nimipingeväärtusega varusis.

**TÄHELEPANU: Vahetades välja kaitsekorgid uute vastu, mis ei ole kooskõlas andmeplaadil näidatud väärtusega, võib põhjustada kahju isikutele ja esemetele. Samal põhjusel ärge asendage mitte mingil juhul kaitsekorgid vask- või teistest materjalidest sildadega.**

**Kaitsekorkide vahetamisel kontrollige alati, et voolujuhe on ühendatud vooluvõrkust LAHTI.**

## 6. KASULIKUD SOOVITUSED

- Puhastage positiivne ja negatiivne klemm võimalikest oksiidid koorikutest, et võimaldada hea klemmide kontakt.
- Väliste kategooriiselt kahe klemmi omavahelist kontakti, kui akulaadija on ühendatud vooluvõrku. Sellisel juhul põlevad kaitsekorgid läbi.
- Kui aku, millega kavatsete kasutada seda akulaadijat, on sõidukile püsivalt sisestatud, konsulteerige sõiduki kasutus- ja/või hooldusjuhendite peatükki "ELEKTRISÜSTEEM" või "HOOLDUS". Enne laadimise alustamist on parem ühendada lahti sõiduki elektrisüsteemi koosnev positiivne kaabel.
- Kontrollige aku pinget enne ühendamist akulaadijaga. Tuletame meelde, et 3 tapist on äratuntav 6Volt aku, 6 tapist 12Volt aku. Mõningatel juhtudel võivad olla kaaks akut 12Volt järjestikku, sellisel juhul on vajalik 24Volt pinget mõlema akumulaatori laadimiseks. Ebastabiilses laengu vältimiseks kontrollige, et akud on samasuguste omadustega. Enne käivitamist laadige akut lühikest aega (mõne minuti jooksul): see piirab käivitamisvoolu tugevust ja samuti kulub nii vähem voolu. Pidage meeles, et enne sõiduki käivitamist tuleb kindlasti kontrollida, et aku oleks korralikult sobilike klemmidena (+ ja -) ühendatud ja korras (sulfaadist puhas ja terve). Mitte mingil juhul ei tohi sõidukit käivitada juhul, kui aku on klemmide küljest lahti ühendatud; aku on määrava tähtsusega element käivitamise käigus ühendusjuhtmetesse koguneda võiva ülepinge maandamisel.
- Kui mootori ei käivitu, ärge püüdke seda iga hinna eest tööle saada, vaid oodake paar minutit ja korra ke kiirlaadimist.
- Käivitamisel peab aku alati oma kohal olema vt. lõik KÄIVITAMINE.

(LV)

## ROKASGRĀMATA



**UZMANĪBU: PIRMS AKUMULATORU LĀDĒTĀJU LIETOŠANAS UZMANĪGI IZLASIET ROKASGRĀMATU!**

## 1. VISPĀRĒJIE DROŠĪBAS NOTEIKUMI AKUMULATORU LĀDĒTĀJU LIETOŠANAS LAIKĀ



- Uzlādēšanas laikā akumulatori izlaiž sprādzienneidrošas gāzes, novērsiet liesmas un dzirksteļu veidošanos. NESMĒKĒT.
- Novietojiet lādējamas akumulatorus vedināmā vietā.



- **Pirms ierices lietošanas nepietiekoši kvalificētām personām jāiziet instruktāža.**
- **Šo ierīci drīkst izmantot bērni, sākot no 8 gadu vecuma, kā arī personas ar ierobežotām fiziskām, jutekliskām vai garīgām spējām un personas, kurām trūkst pieredzes un/vai zināšanu, ja viņus uzrauga cita persona vai, ja viņi ir instrueti par ierices drošu izmantošanu un par riskiem, kas ar to saistīti.**
- **Bērni nedrīkst rotaļāties ar ierīci.**
- **Bērni bez uzraudzības nedrīkst veikt tīrīšanas vai paredzētās tehniskās apkopes operācijas.**
- Lietojiet akumulatoru lādētāju tikai iekšējās un pārbaudiet, vai tās ir labi vadināmas. NETURIET ZEM LIETUS VAI SNIEGA.
- Pirms akumulatora lādētāja vadu pieslēgšanas vai atslēgšanas no akumulatora atslēdziet barošanas vadu no tīkla.
- Akumulatoru lādētāja darbības laikā nesavienojiet spaiļes ar akumulatoru un neatvienojiet tās.
- Nekādā gadījumā nelietojiet akumulatoru lādētāju automobiļa vai pārsega iekšā.
- Nomainiet barošanas vadu tikai pret oriģinālo vadu.
- Ja barošanas vads ir bojāts, tā normaļa jāuztīra ražotāja vai servisa centra speciālistam vai personai ar līdzīgu kvalifikāciju, lai izvairītos no jebkādiem riskiem.
- Nelietojiet akumulatoru lādētāju, lai uzlādētu baterijas, kuras nav paredzētas atkārtotai uzlādēšanai.
- Pārbaudiet, vai esošais barošanas spriegums atbilst akumulatoru lādētāja tehniskajā apliecībā norādītajam spriegumam.
- Lai nesabojātu automobiļa elektronisko aprīkojumu, gadījumos, kad jūs izmantojat akumulatoru lādētāju gan uzlādēšanai, gan palaišanai, rūpīgi izlasiet, saglabājiet un stingri ievērojiet automobiļu un akumulatoru ražotāju brīdinājumus.
- Dažas šī akumulatora lādētāja daļas, piemēram, pārslēgi vai releji, var veidot elektriskos lokus vai dzirksteles, tāpēc ja ierīci izmanto autodarbīnā vai līdzīgā vietā, akumulatoru lādētājs ir jānovieto tās izmantošanas mērķim atbilstošajā vietā vai attiecīgajā futrālī.
- Akumulatoru lādētāja iekšpusē remontu vai tehnisko apkopi drīkst veikt tikai pieredzējušai personai.
- **VIENMĒR ATVIENOJĪET BAROŠANAS VADU NO ELEKTROTĪKLA PIRMS JEBKĀDAS AKUMULATORU LĀDĒTĀJA APKOPES VEIKŠANAS.**
- Pārbaudiet, vai rozete ir aprīkota ar iezemēšanas aizsargsavienojumu.
- Modeļos, kuri ar to nav aprīkoti, izmantojiet kontaktdakšas, kuru nomināls atbilst uz plāksnites norādītai drošinātāja vērtībai.

## 2. IEVADS UN VISPĀRĪGŠ APRAKSTS

- Šis akumulatoru lādētājs ir paredzēts svina bateriju ar brīvu elektrolītu uzlādēšanai, kuras izmanto automobiļos ar iekšdedzes dzinējiem (benzīna un dīzeļa), kā arī motociklos, motorkuģos utt.
- Aparāta emitēta strāva samazinās atbilstoši W raksturīknei un atbilst normai DIN 41774.
- Korpusam, kurā ir uzstādīta ierīce, ir IP 20 aizsardzības pakāpe. Atbilstoši I. klases aparatūrai izvirzāmajām prasībām, no netiešajiem kontaktiem tas ir aizsargāts ar zemējuma vada palīdzību.

## 3. UZSTĀDĪŠANA

### APRĪKOJUMS (ZĪM. A)

- Iznemiet akumulatoru lādētāju no iepakojuma, samontējiet iepakojumā esošās atsevišķas daļas.
- Pārvietojamos modeļus ir jāuzstāda vertikālajā stāvoklī.

## AKUMULATORU LĀDĒTĀJA NOVIEĻOŠANA

- Akumulatoru lādētāja darbošanās laikā novietojiet to stabilā stāvoklī un pārbaudiet, vai nav aizsprostoti atbilstošie gaisa padeves caurumi, lai nodrošinātu pietiekošu ventilāciju.

## PIESLĒGŠANA PIE TĪKLA

- Akumulatoru lādētājs ir jāsavieno ar barošanas sistēmu, kurai neitrālais vads ir iezemēts.
- Pārbaudiet, vai spriegums tīklā ir vienāds ar darba spriegumu.
- Barošanas līnijai jābūt aprīkoti ar aizsardzības ierīcēm, piemēram, drošinātājiem vai automātiskiem izslēdzējiem, kuri spēj izturēt aparāta maksimālo enerģijas patēriņu.
- Savienojums ar tīklu ir jāveic ar atbilstošu vada palīdzību.
- Barošanas vada pagarinātājiem ir jābūt ar atbilstošu griezumka lielumu, kas nedrīkst būt mazāks par piegādātā vada griezumu.
- Aparatūrai visu laiku jābūt iezemētai, iezemēšanai tiek izmantots ar etiķeti (+) apzīmētais barošanas kabeļa dzelteni-zaļš vads, pārējie divi vadi tiek pievienoti barošanas tīklam.
- Spriegumu var izmainīt ar sprieguma maiņiņas plāksnes palīdzību, kurai var piekļūt (FIG. E).

## 4. DARBĪBA

### SAGATAVOŠANA UZLĀDĒŠANAI

**NB: Pirms uzlādēšanas veikšanas pārbaudiet, vai akumulatoru tilpums (Ah), kuru jūs vēlaties uzlādēt, nav mazāks par tehniskajā pasē norādīto (C min).**

**Veiciet operācijas, stingri ievērojot zemāk norādīto secību.**

- Noņemiet akumulatora vāciņus (ja tādi ir), lai ļautu izplūst gāzei, kas veidojas uzlādēšanas laikā.
- Pārbaudiet, vai elektrolīta līmenis ir pietiekošs, lai pārklātu akumulatora plāksnes; ja plāksnes nav pārklātas, pielejiet destilēto ūdeni, lai pārklātu tās pār 5-10 mm.



**UZMANĪBU! ŠIS PROCEDŪRAS VEIKŠANAS LAIKĀ IR JĀBŪT ARĶĀRTĪGI PIESARDZĪGAM, JO ELEKTROLĪTS TĀ IR SKĀBE AR ĻŪTI AUGSTU KOROZIJAS IEDARBĪBU.**

- Atgādinām, ka precīzo akumulatora uzlādēšanas stāvokli var noteikt tikai ar areometru palīdzību, kas ļauj izmērīt elektrolīta īpatnējo blīvumu.
- var izmantot šādas aptuvenas maisījuma blīvuma vērtības (kg/l pie 20°C):
  - 1.28 = akumulators ir uzlādēts;
  - 1.21 = akumulators ir izlādēts uz pusi;
  - 1.14 = akumulators ir izlādēts.
- Kamēr barošanas vads ir atslēgts no elektrības tīkla kontaktligzdās, pievienojiet uzlādēšanas spaili saskaņā ar uzlādējamā akumulatora nominālo spriegumu, uzstādiet pārslēdzēju uzlādēšanas stāvoklī un uzstādiet taimeru normālas uzlādēšanas pozīcijā.
- Pārbaudiet akumulatora spaiļu polaritāti: pozitīvā ir apzīmēta ar simbolu + un negatīvā ar simbolu -.
- **PIEZĪME:** ja simboli nav redzami, atcerieties, ka pozitīvā spaiļi ir tā, kura nav savienota ar mašīnas korpusu.
- Savienojiet sarkanu lādēšanas spaili ar akumulatora pozitīvo pieslēgu (simbols +).
- Savienojiet melnu lādēšanas spaili ar mašīnas korpusu, tālu no akumulatora un degvielas caurļvada.
- **PIEZĪME:** ja akumulators nav uzstādīts mašīnā, tad savienojiet to tieši ar akumulatora negatīvo pieslēgu (simbols -).

## UZLĀDĒŠANA

- Pieslēdziet akumulatoru lādētāju barošanas tīklam iespraužot barošanas vadu tīkla rozetē.
- Ampērmetrs (ja ir) norāda akumulatora uzlādēšanas strāvu (Ampēros): šī posma laikā ampērmetra rādījumi pakāpeniski samazināsies līdz ļoti zemām vērtībām, atkarībā no akumulatora tilpuma un stāvokļa.

### ZĪM. B

**PIEZĪME:** Kad akumulators ir uzlādēts varēs novērot akumulatorā esošā šķidruma viršanas sākumu. Tiek rekomendēts pārtraukt uzlādi jau šī fenomena rašanās sākumā, lai novērstu akumulatora bojāšanu.

Ar pārslēdzēja palīdzību izvēlieties uzlādēšanas strāvas vērtību saskaņā ar akumulatora tipu un ar tā uzlādēšanas stāvokli, šī vērtība tiks parādīta uz ampērmetra skalas ar vismazāko vērtību. Atgādinām, ka lēna uzlādēšana ir akumulatora ilgākas darbības garantija, jo tās laikā akumulators mazāk sasilstās un tiek novērsta plāksņu oksidēšanās un elektrolīta viršana. Strāvas ideāla vērtība ir 1/10 no akumulatora ietilpības ampērstundās. Piemēram, 40 Ampēru akumulatoram ideāla uzlādēšanas vērtība ir 4

Ampēri.

## Vairāku akumulatoru vienlaicīga uzlādēšana

Veiciet šo darbību maksimāli piesardzīgi. UZMANĪBU: neuzlādējiet akumulatorus, kuriem atšķiras kapacitāte, izlādēšanās pakāpe vai tipoloģija.

Vienlaicīgi uzlādēt vairākus akumulatorus var izmantot "secīgo" vai "paralēli" savienojumu. No šiem diviem savienojuma veidiem tiek rekomendēts izmantot secīgo savienojumu, jo tas ļauj pārbaudīt katra akumulatora strāvu, kura ir vienāda ar ampērmetra rādījumu.

**PIEZĪME:** Savienojot secīgi divus akumulatorus, kuru nominālais spriegums ir 12V, akumulatoru lādētājs ir JĀIESTATA 24V stāvoklī.

### ZĪM. C

## UZLĀDĒŠANAS BEIGAS

- Atslēdziet akumulatoru lādētāju no barošanas tīkla atslēdzot barošanas vadu no tīkla rozetes.
- Atvienojiet melnu lādēšanas spaili no mašīnas korpusa vai no akumulatora negatīvā pieslēga (simbols -).
- Atvienojiet sarkanu lādēšanas spaili no akumulatora pozitīvā pieslēga (simbols +).
- Novietojiet akumulatoru lādētāju sausā vietā.
- Aiztaisiēt akumulatora elementus ar atbilstošajiem vāciņiem (ja ir).

## IEDARBINĀŠANA

**Pirms transportlīdzekļa iedarbināšanas pārliecinieties, ka akumulators ir labi savienots ar atbilstošam spailēm (+ un -) un tas ir labā stāvoklī (nav pakļauts sulfūrizācijai un nav bojāts).**

**Ir kategoriski aizliegts iedarbināt transportlīdzekļus ar no atbilstošām spailēm atvienotiem akumulatoriem; akumulatora esamība ir ļoti svarīga iespējama pārsprieguma novēršanai, kas var rasties savienošanas vados akumulētas enerģijas dēļ iedarbināšanas laikā.**

Lai veiktu iedarbināšanu uzstādiet pārslēgu (ja tas ir) vai deviatoru iedarbināšanas stāvoklī, kas atbilst iedarbināmā transportlīdzekļa spriegumam.

Pirms iedarbināšanas atslēgas pagriešanas ir jāpaveic ātra, 5-10 minūšu ilga uzlādēšana, tas būtiski atvieglos iedarbināšanu. **Ātras uzlādēšanas laikā akumulatoru lādētājam jābūt uzlādēšanas, NEVIS iedarbināšanas stāvoklī.**

Iedarbināšana notiek pēc tālvadības pogas nospiešanas (tikai trīsfāzu modeļiem).

Padodamas strāvas vērtība tiek norādīta uz ampērmetra skalas, kuras diapazons ir pietiekoši liels.



**UZMANĪBU: Pirms procedūras turpināšanas uzmanīgi izlasiet transportlīdzekļa ražotāja brīdinājumus!**

- Pārliecinieties, ka barošanas līnija ir aizsargāta ar drošinātāju vai automātisko slēdzi palīdzību, kuru nominālais atbilst plāksnītē ar simbolu (—) apzīmētai vērtībai.
- Lai izvairītos no akumulatoru lādētāja pārkarsēšanas, veiciet iedarbināšanas operācijas RŪPĪGI ievērojot uz aparāta norādītos darba/pauzes ciklus (piemērs: STARTS 3 sekundes IESLĒGTS 120 sekundes IZSLĒGTS-5 CIKLI). Neturpiniet mēģinājumus, ja transportlīdzekļa dzinēju neizdodas iedarbināt: tas var nopietni sabojāt akumulatoru vai pat transportlīdzekļa elektroiekārtu.

## 5. AKUMULATORU LĀDĒTĀJA AIZSARGIERĪCES (ZĪM. D)

Akumulatoru lādētājs ir aprīkots ar aizsargierīcēm, kuras iedarbojas sekojošajos gadījumos:

- Pārslodze (pārmērīga strāvas emitēšana akumulatora virzienā).
- Izsavienojums (uzlādēšanas spailis pieskaras viena otrai).
- Akumulatora spaiļu polaritātes sajaukšana.
- Ja ierīce ir aprīkota ar drošinātājiem, tad mainot tos ir jāizmanto drošinātāji ar līdzīgiem nominālās strāvas rādītājiem.



**UZMANĪBU: Izmantojot nomaīni drošinātājus, kuru strāvas nominālvērtība atšķiras no tehniskajā apliecībā norādītās, var rasties cilvēku ievainošanas vai mantas bojājuma risks. Šī iemesla dēļ ir kategoriski aizliegts drošinātāju vietā izmantot vara tīlītņus vai citus materiālus.**

**Mainton drošinātāju, barošanas vadam vienmēr ir jābūt ATSLĒGTĀM no tīkla.**

## 6. NODERĪGI PADOMI

- Tīriet negatīvo un pozitīvo spaili, lai uz tām nebūtu oksīda, un lai nodrošinātu to labu vadītspēju.
- Nekādā gadījumā nesavienojiet divas spailis, kad akumulatoru lādētājs

ir pieslēgts barošanas tīklam. Šajā gadījumā drošinātājs pārdegs.

- Ja akumulators, kuru ir paredzēts uzlādēt ar šo akumulatoru lādētāju ir nepārtraukti uzstādīts transportlīdzeklī, apskatiet transportlīdzekļa ekspluatācijas un/vai tehniskās apkopes rokasgrāmatas nodaļas "ELEKTROAPRĪKOJUMS" vai "TEHNISKĀ APKOPE". Pirms uzlādēšanas sākuma tiek rekomendēts atslēgt pozitīvo vadu, kas ir transportlīdzekļa elektroaprīkojuma sastāvdaļa.
- Pārbaudiet akumulatora spriegumu pirms tā uzlādēšanas ar akumulatoru lādētāja palīdzību, mēs atgādinām, ka ar 3 aizgriezņiem aprīkotā akumulatora spriegums ir 6 Volti un ar 6 aizgriezņiem aprīkotā akumulatora spriegums ir 12 Volti. Dažos gadījumos ir iespējams secīgi savienot divus 12 Voltu akumulatorus, šajā gadījumā, lai uzlādētu abus akumulatorus, tiek prasīts 24 Voltu liels spriegums. Pārliecinieties, ka tiem ir vienāds raksturojums, lai izvairītos no nevienmērīgas uzlādēšanas.
- Pirms iedarbināšanas ātri uzlādējiet akumulatoru dažādu minūšu laikā: tas ierobežos iedarbināšanas strāvu, kas samazinās strāvas patēriņu no barošanas tīkla. Pirms transportlīdzekļa iedarbināšanas neaizmirstiet pārbaudīt, vai akumulators ir labi savienots ar atbilstošām spaiļēm (+ un -) un vai tas ir labā stāvoklī (nav pakļauts sulfūrizācijai un nav bojāts). Ir kategoriski aizliegts iedarbināt transportlīdzekļus ar no atbilstošām spaiļēm atvienotiem akumulatoriem; akumulatora esamība ir ļoti svarīga iespējama pārsprieguma novēršanai, kas var rasties savienošanas vados akumulētas enerģijas dēļ iedarbināšanas laikā.
- Ja iedarbināšana neizdodas, tad nemēģiniet uzdarīt atkārtoti, bet uzgaidiet dažas minūtes un atkārtoti veiciet akumulatora ātro uzlādēšanu.
- Iedarbināšanu drīkst veikt tikai ja ir uzstādīts akumulators, skatiet nodaļu IEDARBINĀŠANA.

(BG)

## РЪКОВОДСТВО С ИНСТРУКЦИИ ЗА ПОЛЗВАНЕ



**ВНИМАНИЕ: ПРЕДИ ДА ИЗПОЛЗВАТЕ ЗАРЯДНОТО УСТРОЙСТВО, ПРОЧЕТЕТЕ ВНИМАТЕЛНО РЪКОВОДСТВОТО С ИНСТРУКЦИИ!**

### 1. ОБЩА БЕЗОПАСНОСТ ПРИ УПОТРЕБА НА ТОВА ЗАРЯДНО УСТРОЙСТВО



- При зареждане, акумулаторите отделят експлозивни газове, внимавайте да не се образуват искри или да се възпламенят. НЕ ПУШЕТЕ.
- Поставете акумулаторите, които се зареждат на проветриво място.
- Неопитните лица трябва да получат съответното обучение преди да използват апарата.
- Апаратът може да бъде използван от деца на възраст над 8 години и лица с намалени физически, сензорни или умствени способности, или без необходимите познания, стига да са под наблюдение или след като същите са получили инструкции, свързани с безопасната употреба на апарата и са разбрали опасностите, произтичащи от употребата.
- Децата не трябва да играят с апарата.
- Почистването и поддръжката, които трябва да се извършват от потребителя, не трябва да се извършват от деца без наблюдение.
- Зарядните устройства да се използват преди всичко в добре проветрени помещения: ДА НЕ СЕ ОСТАВЯТ ДА РАБОТЯТ ДИРЕКТНО ПОД ДЪЖДА ИЛИ СНЕГА.
- Извадете захранващия кабел от мрежата, преди да свържете или махнете кабелите за зареждане на акумулатора.
- Не свързвайте, нито махайте щипките от акумулатора при работещо зарядно устройство.
- Никога не използвайте зарядното устройство на акумулатора във вътрешността на автомобила или в багажника.
- При смяна на захранващия кабел, подменяйте го единствено с оригинален кабел.
- Ако захранващият кабел е повреден, то той трябва да бъде подменен от производителя или от негов сервиз за техническо обслужване, или от лице с подобна квалификация, така че да се избегнат всякакви рискове.
- Не използвайте зарядното устройство, за зареждане на акумулатори, които не се зареждат.
- Проверете, дали захранващото напрежение, налично на работното място, отговаря на напрежението, посочено на табелата с технически данни върху зарядното устройство.
- За да не повредите електронната система на автомобила, прочетете, спазвайте и изпълнявайте стриктно препоръките на производителя на автомобила, когато се използва зарядното устройство, както за зареждане, така и за първоначално пускане на акумулатора, същоото важи и за препоръките на производителя на акумулатори.
- Това зарядно устройство за акумулатори включва такива части като превключватели и релета, които могат да предизвикат появата на дъга или искри; затова, ако използвате зарядното устройство в гараж или друго подобно помещение, поставете го на подходящо за съхранението му, място.
- Операции, свързани с поправка или поддръжка във вътрешната част на зарядното устройство, трябва да бъдат извършвани само от квалифициран персонал.
- **ИЗКЛЮЧАЙТЕ ВИНАГИ ЗАХРАНВАЩИЯ КАБЕЛ ОТ МРЕЖАТА, ПРЕДИ ДА ИЗВЪРШВАТЕ, КАКВИТО И ДА Е ОПЕРАЦИИ ПО ПОДДРЪЖКА ВЪРХУ ЗАРЯДНОТО УСТРОЙСТВО ЗА АКУМУЛАТОРИ.**
- Проверете, дали контактът е снабден със защитно заземяване.
- При моделите, където липсва такова, свържете вилките със съответната издръжливост, отговаряща на предпазителя, посочен на табелата.

### 2. УВОД И ОБЩО ОПИСАНИЕ

- Това зарядно устройство служи за зареждане на оловни

акумулатори със свободен електролит, които се използват при автомобили с двигател (бензин или дизел), мотоциклети и моторни лодки и др.

- Зарядния ток, подаван от зарядното устройство се понижава според характеристикната крива W и според нормата DIN 41774).
- Контейнерът, в който е инсталиран притежава степен на безопасност IP 20 и е защитен от индиректни контакти чрез заземяващ проводник, както е указано за апаратите със степен на защита клас I.

### 3. ИНСТАЛИРАНЕ

#### ИНСТАЛИРАНЕ (ФИГ. А)

- Разпокавайте зарядното устройство, извършете монтажа на отделните части, които се намират в опаковката.
- Моделите на колелца трябва да се инсталират във вертикално положение.

#### ПОСТАВЯНЕ НА ЗАРЯДНОТО УСТРОЙСТВО ЗА АКУМУЛАТОР

- Повеќе на работа, поставете зарядното устройство в стабилно положение и проверете, да не би да е възпрепятствано преминаването на въздуха през съответните отвори, което гарантира нужната вентилация.

#### СВЪРЗВАНЕ С МРЕЖАТА

- Зарядното устройство трябва да бъде свързано единствено със захранваща система с неутрален заземен проводник. Проверете, дали напрежението на мрежата съответства на напрежението за работа.
- Захранващата линия трябва да бъде снабдена със системи за безопасност като предпазители или автоматични преклочателни, достатъчни, за да понесат максимално поглъщане на ток от апарата.
- Свързването с мрежата да става със съответния кабел.
- Евентуалните удължения на захранващия кабел трябва да имат съответното сечение и никога по малко от това на доставения кабел.
- Апаратът задължително трябва да се заземи като се използва жълто - зеленият проводник на захранващия кабел, обозначен с етикет (L-N), докато другите два проводника трябва да се свържат с мрежата за напрежение.
- Смяната на напрежението става чрез специална свързваща плочка за смяна на напрежението (FIG. E).

### 4. РАБОТА

#### ПОДГОТОВКА ЗА ЗАРЕЖДАНЕ

**ЗАБЕЛЕЖКА:** Преди да пристъпите към зареждане, проверете дали мощността на акумулаторите (Ah), които могат да се зареждат, не е по ниска от тази, указана в табелата с техническите данни (С мин).

**Стриктно изпълнявайте, по долу, изложените инструкции.**

- Махнете капачице на акумулатора (ако има такива), така газовете, които се получават при зареждането могат да излезнат навън.
- Проверете дали нивото на електролита покрива пластините на акумулатора; ако са открити, добавете дестилирана вода, докато се покрият с 5-10 мм.



**ВНИМАНИЕ! БЪДЕТЕ МНОГО ВНИМАТЕЛНИ ПРИ ТАЗИ ОПЕРАЦИЯ, ТЪЙ КАТО ЕЛЕКТРОЛИТА Е КИСЕЛИНА, СЪС СИЛНО КОРОЗИВНО ДЕЙСТВИЕ.**

- Не забравяйте, че точното състояние на зареждане на акумулатора може да се определи само чрез денситометр - уред за измерване на специфичната плътност на електролита; следните указани стойности за плътност на разтвора (Kg/l при 20°c) са ориентировъчни:  
1.28 = зареден акумулатор;  
1.21 = полузареден акумулатор;  
1.14 = изтощен акумулатор.
- При изключен от контакта на мрежата захранващ кабел, свържете клемите за зареждане според номиналното напрежение за зареждане на акумулатора, поставете комутаторния ключ в положение зареждане и включете релето в положение на номинално зареждане.
- Проверете полярността на клемите на акумулатора: положителен полюс, символ + и отрицателен, символ -.
- **ЗАБЕЛЕЖКА:** ако символите трудно се различават, напомниме, че положителната клема е тази, която не е свързана с шасито на колата.
- Съединете червената щипка за зареждане с положителната клема на акумулатора (символ +).
- Съединете черната щипка за зареждане с шасито на колата, далеч

от акумулатора и тръбопровода за горивото.

**ЗАБЕЛЕЖКА:** Ако акумулатора не е поставен в колата, да се свърже директно с отрицателната клема на акумулатора (символ -).

#### ЗАРЕЖДАНЕ

- Захранването на зарядното устройство става, като се включи захранващия кабел в контакта на мрежата.
- Амперметърът (ако има такъв) показва тока за зареждане на акумулатора (в ампери); повреме на тази фаза ще забележите, че показанията на амперметъра бавно ще спадат до много ниски стойности, според мощността и състоянието на акумулатора.

#### ФИГ. В

**ЗАБЕЛЕЖКА:** Когато акумулатора е зареден може да се забележи начало на "кипене" на течността, която се намира в него. Препоръчва се да се прекъсне зареждането още в началото на това явление, за да се избегне повреда на акумулатора.

Изберете чрез комутаторния ключ стойността на зарядния ток, според типа на акумулатора и от зарядното му състояние, тази стойност ще се сигнализира от амперметъра, скала с най - ниската стойност. Не трябва да се забравя, че бавното зареждане е гаранция за по - голяма трайност на акумулатора, тъй като нагряването е по - малко, избягва се окисление на пластинките и кипене на електролита. Идеалната стойност на тока е 1/10 от капацитета в Ампер/час на акумулатора. Например, за акумулаторна батерия от 40 Ампера идеалната стойност на зареждане е 4 Ампера.

#### Едновременно зареждане на няколко акумулатора

Такива операции трябва да се извършават много внимателно: **ВНИМАНИЕ;** не зареждайте различни по вид акумулатори с различна мощност и разреждане между тях.

Ако се налага да зареждате повече от един акумулатор, може да се прибегне до "последователно" или "паралелно" свързване. Между двете системи на свързване е за препоръчване "последователното" свързване, тъй като при този начин на свързване може да се контролира токът, преминаващ през всеки акумулатор, който ще бъде аналогичен на този, отбелязан на амперметъра.

**ЗАБЕЛЕЖКА:** В случай на серийно свързване на два акумулатора, имащи номинално напрежение от 12V, зарядното устройство ТРЯБВА да се постави в положение 24V.

#### ФИГ. С

#### КРАЙ НА ЗАРЕЖДАНЕТО

- Да се спре захранването на зарядното устройство като се изключи кабела от мрежата.
- Махнете черната щипка за зареждане от шасито на колата или от отрицателната клема (символ -).
- Махнете червената щипка за зареждане от положителната клема на акумулатора (символ +).
- Поставете отново зарядното устройство на сухо място.
- Затворете отново клетките на акумулатора със съответните тапи (ако има такива).

#### ПУСКАНЕ

**Уверете се, преди да запалите автомобила, че акумулаторът е правилно свързан със съответните клемите (+ и -) и че е в добро състояние (не е сулфатизиран и не е повреден).**

**В никакъв случай не запалвайте автомобил, чийто акумулатори не са свързани със съответните клемите; наличието на акумулатор е определящо за елиминирането на евентуални свърх напрежения, които биха могли да се породят от натрупаната в кабелите за свързване енергия при фазата на пускане на двигателя на автомобила в действие.**

За пускането поставете комутаторния ключ (ако има такъв) или деваторния ключ в положение за пускане на напрежението, съответстващо на напрежението на превозното средство, което трябва да се задвижи.

Необходимо е, преди да завъртите ключа за пускане, да направите едно бързо зареждане за 5-10 минути, това ще улесни много пускането.

**Операцията по бързо зареждане трябва да бъде стриктно извършена със зарядно устройство в положение за зареждане, а НЕ в положение за пускане.**


Пускането ще се осъществи като се натисне бутон на дистанционното управление (само за трифазни).

Отдаденият ток се показва от скалата на амперметъра с по-голям

капацитет.



**ВНИМАНИЕ:** Преди да процедираате, спазвайте внимателно указанията на производителя на автомобила!

- Уверете се, че захранващата линия е обезопасена с предпазители или автоматични прекъсвачи със стойност, съответстваща на указана на табелата със символ ().
- С цел да избегнете свръх нагряване на зарядното устройство, извършете операцията пускане като спазвате СТРИКТНО работните цикли/паузи, посочени върху апарата (например: START 3s ON 120s OFF-5 CYCLES). Не упорствайте, ако двигателят на автомобила не заработва: тъй като сериозно може да се увреди акумулатора или електронното оборудване на автомобила.

## 5. ЗАЩИТИ НА ЗАРЯДНОТО УСТРОЙСТВО (ФИГ.D)

Зарядното устройство е снабдено със защита, която се задейства в случай на:

- Свръхнатоварване (свръх подаване на ток към акумулатора).
- Късо съединение (щипките на зарядното, поставени в контакт една с друга).
- Смяна на полярността върху клемите на акумулатора.
- В апаратите, снабдени с предпазители, в случай на подмяна е задължително да се използват аналогични предпазители, които имат същите стойности номинален ток.



**ВНИМАНИЕ:** Смяната на предпазител с различни стойности на номиналния ток, посочени върху табелата с техническите характеристики може да предизвика увреждания върху хора или повреди на предмети. Поради същата причина, в никакъв случай не подменяйте с препазители с меден мост или друг материал. Подмяната на предпазителите става винаги при ИЗКЛЮЧЕН от мрежата захранващ кабел.

## 6. ПОЛЕЗНИ СЪВЕТИ

- Почистете клемите на положителния и отрицателния полюс от евентуални утайки от окисление, така че да подсигурите добър контакт на щипките.
- В никакъв случай не поставяйте в контакт двете щипки, когато зарядното устройство е включено в мрежата. При такава ситуация изгарят предпазителите.
- Ако акумулаторът, за който смятате да използвате зарядното устройство, не се сваля, запознайте се също така с ръководството с инструкции на автомобила, раздел "ЕЛЕКТРИЧЕСКА ИНСТАЛАЦИЯ" или "ПОДДРЪЖКА". Препоръчително е да се изключи положителният кабел, преди да се пристъпи към зареждане, който е част от електрическата инсталация на автомобила.
- Проверете напрежението на акумулатора, преди да го свържете със зарядното устройство, не забравяйте, че с 3 тапи са акумулаторните батерии от 6 V (волта), с 6 тапи - акумулаторните батерии от 12 V (волта). В някои случаи могат да бъдат две батерии от 12 V (волта), последователно свързани, в този случай се изисква напрежение от 24 V (волта), за да се заредят и двата акумулатора. Уверете се, че и двата акумулатора са с еднакви характеристики, за да избегне неравномерно зареждане.
- Преди да извършите пускането, правете винаги едно бързо зареждане в продължение на няколко минути: това ще ограничи тока при пускането и ще изисква отдаването на по-малко ток от мрежата. Не забравяйте да се уверите преди пускане на автомобила, дали акумулаторът е правилно свързан със съответните клемите (+ и -) и е в добро състояние (не е сулфатизиран или повреден). В никакъв случай не извършвайте пускане на автомобили с несвързани акумулатори към съответните клемите; наличието на акумулатор е определящо, за елиминирането на евентуални свръх напрежения, които биха могли да се породят от натрупаната енергия в кабелите за свързване по време на фазата на пускане.
- Ако пускането не се осъществи, не упорствайте, а изчакайте няколко минути и повторете операцията по бързо зареждане.
- Пускането става при поставен акумулатор, виж параграф ПУСКАНЕ.

## دليل الإرشادات



إنتبه: اقرأ بعناية دليل الإرشادات قبل استخدام شاحن البطارية!

1. الأمان العام لاستخدام شاحن البطارية هذا



- تصد البطاريات أثناء الشحن غازات متفجرة، فاحذر من التسبب في شرر وألسنة نيران. لا تدخن.
- ضع البطاريات أثناء الشحن في مكان جيد التهوية.



- يجب على الأشخاص الذين ليس لديهم خبرة في كيفية استخدام الجهاز بدرجة التعليمات أولاً قبل الاستخدام.
- يمكن استخدام الجهاز من قبل أطفال أقل من عمر 8 سنوات وكذلك من قبل أشخاص من ذوي القدرات الإحصائية والعقلية والحسية المنخفضة أو أولئك الغير متمتعين بالخبرات أو المعرفة الضرورية على أن يكونوا تحت الإشراف أو بعد أن يتلقوا إرشادات تتعلق بالاستخدام الآمن للجهاز واستيعاب الاخطار ذات الصلة.
- لا يجب أن يلعب الأطفال بالجهاز.
- لا يجب القيام بمطابقة الجهاز وصيادته من قبل الأطفال دون الإشراف عليهم.
- استخدم شاحن البطارية فقط في الداخل وفي مكان جيد التهوية: لا تعرض شاحن البطارية للمطر أو الثلج.

- أفضل الكابل الكهروإي من الكهروإي، قبل توصيل أو فصل كابلات الشاحن من البطارية.
- لا تقم بتوصيل أو فصل الكابلات عن البطارية أثناء تشغيل شاحن البطارية.
- لا تستخدم على الإطلاق شاحن البطارية داخل السيارة أو غطاء محرك السيارة.
- استبدل الكابل الكهروإي بكابل أصلي فقط.
- إذا تلف كابل التغذية بالبطاقة فيجب استبداله من قبل الشركة المصنعة أو بواسطة خدمة الدعم الفني التابعة أو على أية حال من قبل أشخاص مؤهلين حتى يتم تحاشي جميع الأخطار.
- لا تستخدم شاحن البطارية لإعادة شحن بطاريات غير قابلة للشحن.
- تأكد أن الجهد الكهروإي المنح منطوق مع الجهد المذكور على لوحة بيانات شاحن البطارية.
- لكي لا تتضرر الجورة الإلكترونية الخاصة بالمركبيات يجب القراءة والحفظ والاتباع الدقيق للتحذيرات المقدمة من قبل الشركات المصنعة للمركبات عند استخدام شاحن البطارية سواء في حالة الشحن أو عند بدء التشغيل؛ يعد نفس الأمر صالح بالنسبة للإرشادات لمقدمة من الشركة المصنعة للبطارية.
- يحتوي هذا الشاحن على أجزاء مثل مفاتيح التشغيل أو مفاتيح التبادل، والتي يُمكن أن تسبب حدوث شرر أو قوس كهروإي؛ ولذلك عند استخدام شاحن البطارية في الجراج أو في مكان مماثل، يجب شحن البطارية في مكان أو في علبة مناسبة للفرش.
- يجب أن تتم عمليات التصليح والصيانة داخل شاحن البطارية فقط من قبل أفراد ذوي خبرة.



بمجرد دائماً نزع كابل التغذية بالبطاقة من الشبكة الكهربائية قبل القيام بأي إجراء لصيانة شاحن البطاريات.

- تأكد أن القابس الكهروإي متصل بحماية التأسيس.
- في النماذج الغير مزودة به، يتم التوصيل بقابس ذو حمل ملائم لقيمة الصمام المشار اليه على اللوحة الفنية.

2. مقدمة ووصف عام

- يسمح شاحن البطارية هذا بشحن بطاريات تعمل بالبطاقات ذات الكتروليت حر يستخدم في مركبات تعمل بمحركات (بنزين، سولار)، دراجات بخارية، مركاب، ألخ.
- إن تيار الشحن الصادر من الجهاز يتناقص وفقاً للمنحني المميز W وهو يلي متطلبات الشرع DIN 41774.
- تحتوي الحواجة المثبت بها على درجة من الحماية IP 20 وهو مصون من الاتصالات الغير مباشرة من خلال موصل بالخط الأرضي كما هو مصون به بالنسبة للاجهزة المنتمية للفتة I.
- بطاريات قابلة للشحن وفقاً لوظيفة الجهد الصادر المتاح: 6 فولت / 3 خلية؛ 12 فولت / 6 خلية؛ 24 فولت / 12 خلية.

3. التركيب

التجهيز (الشكل A)

- يجب إعداد العنقفة عن شاحن البطاريات والقيام بتركيب الأجزاء المنفصلة عنه والمحتواة في التغليف.
- يتم تركيب النماذج المزودة بعجلات في وضع رأسي.

وضعية شاحن البطاريات

- خلال عمل الجهاز يتم وضع شاحن البطارية في وضعية مستقيمة مع التأكد من عدم إنسداد ممر الهواء من خلال الفتحات الخاصة بذلك مع ضمان التهوية الكافية.

التوصيل بالشبكة

- يجب توصيل شاحن البطارية حصراً بنظام تغذية بالبطاقة ذو موصل محايد متصل بالأرض.
- تأكد من أن جهد الشبكة يعادل جهد التشغيل.
- يجب أن يكون خط التغذية بالبطاقة مزود بأنظمة وقائية والتي من بينها الصمامات أو مفاتيح التبادل الثنائية التي تكون كافية لتحمل أقصى حد من إستهلاك الجهاز للبطاقة.

- يجب أن يتم التوصيل بشبكة الكهروإي بواسطة الكابيل المخصص لذلك.
- يجب أن تكون أسلاك الإطالة المحملة لكابل التغذية لكابل التغذية بالبطاقة ذات فئة ملائمة وألا تقل أبداً عن تلك الخاصة بالكابيل المقدم.
- من الإلزامي دائماً توصيل الجهاز بالخط الأرضي باستخدام الموصل ذو اللون الأصفر-الاحمر لكابل التغذية بالبطاقة والمميز بالبطاقة (⚡) في حين أن الموصلان الاخراين يتم توصيلهما بشبكة الجهد.
- تغير الجهد يتم من خلال قاعدة صغيرة لتغيير الجهد (الشكل E).

4. التشغيل

الإعداد للشحن

- لاحظ جيداً: قبل مباشرة الشحن تحقق من أن قدرة البطارية (Ah) التي يتنوى شحنها لا تقل عن تلك لقدرة المشار إليها على لوحة المنتج (C min).
- قمر بتنفيذ التعليمات مع الالتزام التام بالترتيب الوارد أسفله.
- قمر بإزالة أغشية البطارية (إن وجدت) حتى تخرج الغازات الناتجة خلال الشحن.
- تحقق من أن مستوى الكتروليت يغطى شرائح البطارية؛ إذا كانت الشرائح مكشوفة، إذا أضف الجهد حتى تغطيتها بحوالي 10-15 مم.



إنتبه! يجب الحذر التام خلال القيام بهذه العملية لأن الكتروليت عبارة عن حمض يسبب التآكل بدرجة عالية للغاية.

- يتم التنكير إن حالة شحن البطارية الصحيحة يمكن التحقق منها فقط باستخدام مقياس الكثافة الذي يسمح بقياس الكثافة الخاصة بالكتروليت؛
- بشكل عام تصنع القيم التالية من كثافة المحلول (كجم/ لتر) في 20 درجة مئوية:
  - 1.28 = بطارية فارغة؛
  - 1.21 = بطارية شبه فارغة؛
  - 1.14 = بطارية مشحونة؛
- عندما يكون كابل التغذية بالبطاقة منضصل عن الشبكة يتم توصيل كامشآت الشحن على أساس الجهد الاسمي للبطارية المراد شحنها، يتم وضع الموصل على الشاحن وإدخال المؤقت في وضعية الشحن العادي.
- تحقق من قطبية مشابك البطارية: موجب الرمز + وسالب الرمز -.
- ملاحظة: إذا لم تكن هناك وسيلة للفرقة بين الرموز تذكر أن المشبك الموجب هو ذلك الغير متصل بهيكل السيارة.
- قمر بتوصيل مشبك الشحن ذو اللون الاحمر مع المشبك الموجب للبطارية (رمز +).
- قمر بتوصيل مشبك الشحن ذو اللون الاسود بهيكل السيارة بعيداً عن البطارية وبعيداً عن موصل الوقود.
- ملاحظة: إذا لم تكن البطارية غير مثبتة بالسيارة قمر بتوصيلها مباشرة مع المشبك السالب للبطارية (الرمز-).

الشحن

- يتم تغذية شاحن البطارية بالبطاقة بإدخال كابل التغذية بالبطاقة في مأخذ الطاقة مع وضع المفتاح (إن وجد) العام على ON.
- يشير مقياس الامبير (إن وجد) إلى تيار (الأمبير) شحن البطارية؛ خلال تلك المرحلة سيتم ملاحظة أن مؤشر مقياس الامبير سيقف ببطء ووصولاً إلى قيم منخفضة جداً فيما يتعلق بقدرة وظروف البطارية.

الشكل B

ملحوظة: عندما تشحن البطارية يمكن ملاحظة مبدأ "تعادل" للسائل المحتوي في البطارية. ينصح بوقف الشحن منذ بداية تلك الظاهرة لتجنب إتلاف البطارية.

- من خلال الموصل يتم اختيار قيمة تيار الشحن على أساس نوع الموصل وحالة شحنه ويتم الإشارة إلى تلك القيمة بمقياس الامبير على تدرج ذو قيمة أقل.
- يذكر بأن الشحن البطئ يضمن مدة أطول للبطارية حيث أنه تسخن أقل مع تجنب اكسدة الشرائح وتعادل الكتروليت.
- تبلغ القيمة المثالية للتيار 1/10 من حمل في المصير/ ساعة للبطارية. على سبيل المثال بالنسبة لبطارية بقدرة 40 أمبير تكون القيمة المثالية للشحن 4 أمبير.

الشحن المتزامن لأكثر من بطارية

- يتم إجراء هذا النوع من العمليات بعناية شديدة؛ إنتبه: لا تقم بشحن بطاريات ذات قدرات، أو فارتة من الشحن أو تنتمي لفئات مختلفة فيما بينها.
- مع وجوب شحن أكثر من بطارية في نفس الوقت يمكن إجراء توصيلات "فتوية" أو "متوازنة" من بين النظامين ينصح الاتصال الفتوي لأنه بهذه الطريقة يمكن التحقق من التيار الدائر في كل بطارية والتي سيتم جعلها مماثلة لتلك المشار على مقياس الامبير.

ملحوظة: في حالة الاتصال الفتوي لبطارتين ذات جهد اسمي يبلغ 12 فولت يجب وضع شاحن البطارية على وضعية 24 فولت.

الشكل C

نهاية الشحن

- قمر بفصل الطاقة عن شاحن البطارية بالضغط على زر OFF مع نزع كابل التغذية بالبطاقة من مأخذ الطاقة.
- قمر بفصل مشبك الشحن ذو اللون الاسود عن هيكل السيارة أو من المشبك السالب للبطارية (رمز-).
- قمر بفصل مشبك الشحن ذو اللون الاحمر من المشبك الموجب للبطارية (رمز+).
- ضع شاحن البطارية في مكان جاف.
- قمر بفلق خلايا البطارية مجدداً بواسطة الأغشية الخاصة بذلك (إن وجدت).



## بدء التشغيل

يتم التحقق قبل بدء تشغيل المركبة من أن البطارية متصلة بشكل جيد مع المشابك ذات الصلة (+ و -) وأنها بحالة جيدة (ليس بها سلفات وليست تالفة).  
لا تقم بأي شكل من الأشكال ببدء تشغيل المركبة عندما تكون البطارية منفصلة عن المشابك ذات الصلة؛ حيث أن وجود البطارية هام بالنسبة لانتهاء احتمالية وجود أحمال زائدة قد تتولد من تراكم الطاقة في كابلات التوصيلات خلال مرحلة بدء التشغيل.  
لبدء التشغيل يتم وضع زر التبادل (إن وجد) في وضعية بدء التشغيل على الجهد المعادل لذلك الخاص بالمركبة المراد بدء تشغيلها.  
من الضروري وقبل التعامل على مفتاح بدء التشغيل القيام بشحن سريع لمدة 10-5 دقائق وهذا يسهل كثيراً بدء التشغيل. يجب القيام بعملية الشحن السريع مع شاحن البطاريات على وضعية الشحن وليس وضعية بدء التشغيل.  
يتم بدء التشغيل من خلال الضغط على زر مفتاح التحكم عن بعد (فقط بالنسبة للثلاثي المرحلة).  
يتم الإشارة إلى التيار الصادر على تدرج مقياس الأمبير مع حمل أكبر.



**إتبه:** قبل المباشرة يجب القراءة بعناية التحذيرات الخاصة بصانع المركبة!  
- يجب التأكد من حماية خط التغذية بالطاقة من خلال صمامات ومفاتيح قطع دائرة التغذية بالطاقة أوتوماتيكية ذات قيم معادلة لتلك الموضحة على الشامة بالرمز (-).  
- لتجنب سخونة شاحن البطاريات، يتم القيام بإجراء بدء التشغيل مع الالتزام الكامل لدورات العمل/الراحة المشار على الجهاز (مثال: START بعد 3 ثواني ON بعد 120 ثانية و OFF-5 دورات). لا تصر أكثر إذا لم يعمل محرك المركبة؛ يمكن أن يتسبب ذلك إتلاف البطارية أو الإجهة الكهربائية للمركبة.

## 5. حمايات شاحن البطاريات (الشكل D)

إن شاحن البطاريات مزود بحماية تتدخل في حالة:  
- الحمل الزائد (الإصدار الزائد للتيار لتجاه البطارية).  
- قصر الدائرة الكهربائية (تلامس سبيكي الشحن مع بعضهما).  
- تبديل الاقطاب على مشابك البطارية.  
- في الإجهة الزائدة بصمام فإته من الحتمي في حالة الاستبدال استخدام قطع غيار مماثلة لها نفس قيمة التيار الاسمي.



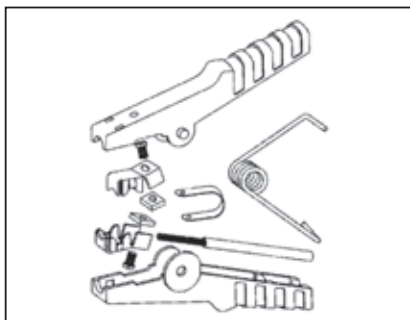
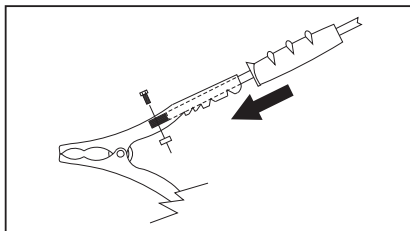
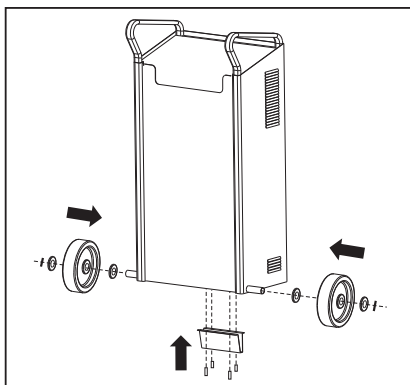
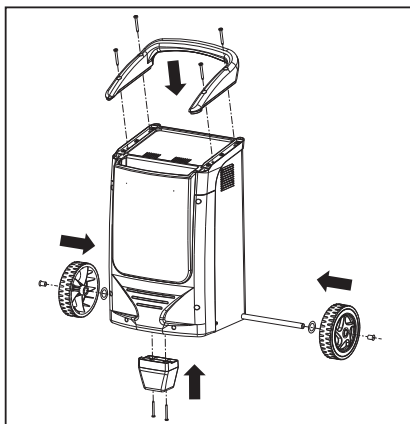
**إتبه:** قد يتسبب استبدال الصمام بقيم تيار مختلفة عن تلك المشار إليها على اللوحة في حدوث أضرار لأشخاص أو أشياء. لنفس السبب تجنب مطلقاً استبدال الصمام بواسطة وصلات من النحاس أو خامات أخرى.  
إن عملية استبدال الصمام يتم تنفيذها عندما يكون كابل التغذية بالطاقة معزول عن الشبكة.

## 6. نصائح مفيدة

- قم بتنظيف القطبين السالب والموجب من قشور الأكسدة المحتملة بطريقة تسمح بالتوصيل الجيد للمشايك.  
- تجنب مطلقاً توصيل المشبكين عندما يكون شاحن البطاريات متصل بشبكة الكهرباء. في هذه الحالة يحترق الصمام.  
- إذا كانت البطارية التي يراد شحنها مثبتة بشكل دائر بالمركبة يجب الرجوع أيضاً إلى الإرشادات و/أو دليل صيانة المركبة والورادة في بند "النظام الكهربائي" أو "الصيانة". قبل البدء في عملية شحن البطارية يفضل فصل الكابل الموجب الخاص بالنظام الكهربائي للمركبة.  
- يتم التحقق من جهد البطارية قبل توصيلها بشاحن البطاريات يذكر بأن 3 أغطية تميز البطارية 6 فولت و 6 أغطية تميز البطارية 12 فولت. في بعض الحالات يمكن أن يكون هناك بطاريتين بقدرته 12 فولت في فئة وفي هذه الحالات يكون الجهد المطلوب هو 24 فولت لشحن كلاً من مخزني الطاقة. يتم التأكد من أن لهما نفس الخصائص لتجنب حدوث خلل بالتران في الشحن.  
- قبل بدء التشغيل يتم القيام بشحن سريع لضبط دقائق: ويعمل هذا على الحد من تيار بدء التشغيل كما أنه يتطلب تيار أقل من الشبكة، يذكر بأنه يتم التحقق قبل بدء تشغيل المركبة من أن البطارية متصلة بشكل جيد مع المشابك ذات الصلة (+ و -) وأنها بحالة جيدة (ليس بها سلفات وليست تالفة).  
- لا تقم بأي شكل من الأشكال ببدء تشغيل المركبة عندما تكون البطارية منفصلة عن المشابك ذات الصلة؛ حيث أن وجود البطارية هام بالنسبة لانتهاء احتمالية وجود أحمال زائدة قد تتولد من تراكم الطاقة في كابلات التوصيلات خلال مرحلة بدء التشغيل.  
- إذا لم يتم بدء التشغيل، لا تصر ولكن إنتظر بضعة دقائق ثم كرر إجراء الشحن السريع للبطارية.  
- يتم إجراء بدء التشغيل دائماً مع توصيل البطارية، إنظر الفقرة الخاصة ببدء التشغيل.

**Fig. A**

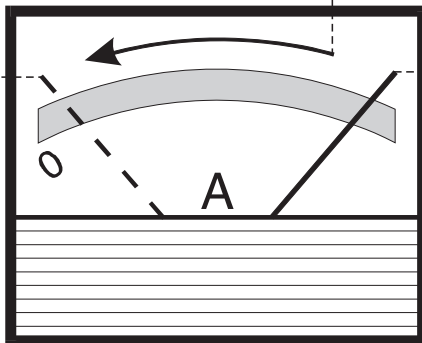
- (EN) Pincer with red handle connected to the movable cable. Pincer with black handle connected to the fixed cable which comes out directly out of the battery charger.
- (IT) Pinza con manici rossi assemblata con il cavo mobile. Pinza con manici neri assemblata con il cavo che esce diretto dal caricabatterie.
- (FR) Pince avec poignées rouges assemblée avec câble mobile. Pince avec poignées noires assemblée avec câble fixe qui sort directement de chargeur de batteries.
- (ES) Pinza con mandos rojos unida al cable móvil. Pinza con mandos negros unida al cable fijo que sale directo de cargador de baterías.
- (DE) Zange mit rotem Handgriff angeschlossen am bewegbarem Kabel. Zange mit schwarz Handgriff angeschlossen am Kabel, der direkt aus dem Ladegerät kommt.
- (RU) Зажим с красными рукоятками, собранный с подвижным кабелем. Зажим с черными рукоятками, собранный с кабелем, который выходит прямо из машины.
- (PT) Pinça com pegas vermelhas montada com o cabo móvel. Pinça com pegas pretas montada com o cabo que sai directo do carregador de baterias.
- (NL) Tang met rode handvaten geassembleerd met de mobiele kabel. Tang met zwarte handvaten geassembleerd met de kabel die rechtstreeks uit de batterijlader komt.
- (EL) Τσιμπίδα με κόκκινες λαβές συναρμολογημένη με κινητό καλώδιο. Τσιμπίδα με μαύρες λαβές συναρμολογημένη με καλώδιο που βγαίνει κατευθείαν από το μηχάνημα.
- (RO) Clemă cu mânere roșii, asamblată cu cablu mobil. Clemă cu mânere negre, asamblată cu cablul care iese direct din încărcătorul de baterii.
- (SV) Tång med röda handtag monterad på den rörliga kabeln. Tång med svarta handtag monterad på kabeln som kommer ut direkt från batteriladdaren.
- (CS) Kleště s červenými rukojetmi s připojeným pohyblivým kabelem. Kleště s černými rukojetmi s kabelem vycházejícím přímo z nabíječky akumulátorů.
- (HR-SR) Hvataljka sa crvenim ručkama sa pokretnim kablom. Hvataljka sa crnim ručkama sa kablom koji izlazi direktno iz punjača baterije.
- (PL) Zacisk z czerwonymi uchwytami zamontowany na przewodzie ruchomym. Zacisk z czarnymi uchwytami, zamontowany na przewodzie, który wychodzi bezpośrednio z prostownika.
- (FI) Punavartiset pihdit, jotka on liitetty siirrettävällä kaapelilla. Mustavartiset pihdit, jotka on liitetty suoraan akkulatorista ulostulevalla kaapelilla.
- (DA) Tang med rødt skaft samlet med mobil kabel. Tang med sort skaft samlet med kablet, der kommer direkte fra opladeren.
- (NO) Klemme med røde håndtak monteret på bevegelig kabel. Klemme med svarte håndtak monteret på kablet som kommer direkte ut fra batteriladere.
- (SL) Kleščice z rdečimi ročajmi, povezane na mobilni kabel. Kleščice s črnimi ročajmi, povezane s kablom, ki poteka naravnost iz polnilnika akumulatorjev.
- (SK) Kliešte s červenými rukovätami s pripojeným pohyblivým káblom. Kliešte s čiernymi rukovätami s káblom vychádzajúcim priamo z nabíjačky akumulátorov.
- (HU) Mozgókábelrel felszerelt piros nyelű fogó. Az akkumulátortöltőből közvetlenül kifutó kábelrel felszerelt fekete nyelű fogó.
- (LT) Gnybtas su raudonomis rankenėlėmis yra komplektuojamas su mobiliu kabeliu. Gnybtas su juodomis rankenėlėmis yra komplektuojamas su tiesioginiu iš baterijų įkroviklio išeinančiu kabeliu.
- (ET) Punase käepidemega klemm, ühendatud mobiilse kaabliga. Musta käepidemega klemm, ühendatud kaabliga, mis väljub otse akulaadijast.
- (LV) Spaile ar sarkanu rokturi un ar pārvietojamu vadu. Spaile ar melnu rokturi un ar vadu, kas iziet tieši no akumulatoru lādētāja.
- (BG) Щипка с червена дръжка, свързана с подвижния кабел. Щипка с черна дръжка, свързана с кабела, който излиза директно от зарядното устройство.
- (AR) كمشاة مع مقابض حمراء تر تركيبها مع الكابل المتحرك؛ وكمشاة مع مقابض سوداء تر تركيبها مع كابل يخرج مباشرة من شاحن البطارية.



**Fig. B**

(EN) CHARGE END  
(IT) FINE CARICA  
(FR) FIN CHARGE  
(ES) FIN DE CARGA  
(DE) ENDELADUNG  
(RU) КОНЕЦ ЗАРЯДА  
(PT) FINAL DA CARGA  
(NL) EINDE LADEN  
(EL) ΤΕΛΟΣ ΦΟΡΤΗΣΗΣ  
(RO) SFÂRȘITUL OPERAȚIEI DE ÎNCĂRCARE A BATERIEI  
(SV) LADDNING SLUTFÖRD  
(CS) UKONČENÍ NABÍJENÍ  
(HR-SR) KRAJ PUNJENJA  
(PL) KONIEC ŁADOWANIA  
(FI) LATAUS SUORITETTU  
(DA) LADNING FÆRDIG  
(NO) LADING FERDIG  
(SL) ZAKLJUČEK POLNJENJA  
(SK) UKONČENIE NABÍJANIA  
(HU) TÖLTÉS VÉGE  
(LT) ĄKROVIMO PABAIGA  
(ET) LAADIMISE LÖPP  
(LV) UZLĀDĒŠANAS BEIGAS  
(BG) КРАЙ НА ЗАРЕЖДАНЕТО  
(AR) نهاية الشحن

(EN) DURING THE CHARGE  
(IT) DURANTE LA CARICA  
(FR) LORS DE LA CHARGE  
(ES) DURANTE LA CARGA  
(DE) WAEHREND LADUNG  
(RU) ВО ВРЕМЯ ЗАРЯДА  
(PT) DURANTE A CARGA  
(NL) TIJDENS HET LADEN  
(EL) ΚΑΤΑ ΤΗ ΔΙΑΡΚΕΙΑ ΦΟΡΤΗΣΗΣ  
(RO) ÎN TIMPUL OPERAȚIEI DE ÎNCĂRCARE  
(SV) LADDNING PĀGĀR  
(CS) NABÍJENÍ  
(HR-SR) TIJEKOM PUNJENJA  
(PL) PODCZAS ŁADOWANIA  
(FI) LATAUS KÄYNNISSĀ  
(DA) LADNING IGANG  
(NO) LADING PĀGĀR  
(SL) V ČASU POLNJENJA  
(SK) NABÍJANIE  
(HU) A TÖLTÉS IDEJE ALATT  
(LT) ĄKROVIMO METU  
(ET) LAADIMISE JOOKSUL  
(LV) UZLĀDĒŠANAS LAIKĀ  
(BG) ПОВРЕМЕ НА ЗАРЕЖДАНЕТО  
(AR) خلال الشحن

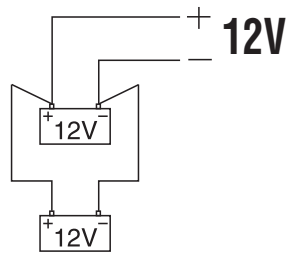
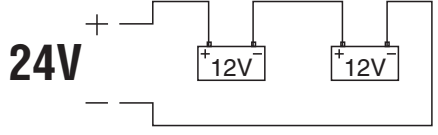


(EN) INITIALLY  
(IT) INIZIALMENTE  
(FR) INITIALEMENT  
(ES) INICIALMENTE  
(DE) AM ANFANG  
(RU) В НАЧАЛЕ  
(PT) INICIALMENTE  
(NL) BEGIN LADEN  
(EL) ΑΡΧΙΚΑ  
(RO) MOMENTUL INIȚIAL  
(SV) LADDNINGSTART  
(CS) PŘED NABÍJENÍM  
(HR-SR) NA POČETKU  
(PL) POZCZĄTEK ŁADOWANIA  
(FI) LATAUKSEN ALKU  
(DA) LADESTART  
(NO) LADESTART  
(SL) UVODNO  
(SK) PRED NABÍJANÍM  
(HU) A TÖLTÉS KEZDETEKOR  
(LT) PRADŽIOJE  
(ET) ALUSTADES  
(LV) SĀKUMĀ  
(BG) В НАЧАЛОТО  
(AR) في البداية

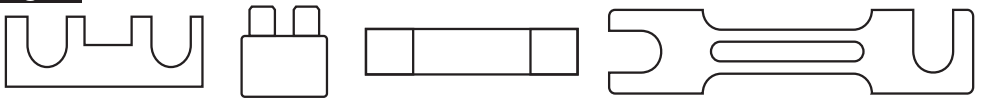
**Fig. C**

(EN) SERIES	(PL) SZEREGOWE
(IT) SERIE	(FI) SARJAKYTKENTÄ
(FR) SERIES	(DA) SERIEFORBINDELSE
(ES) SERIE	(NO) SERIEKOPPLING
(DE) SERIE	(SL) SERIJSKI
(RU) ПОСЛЕДОВАТЕЛЬНЫЙ	(SK) SÉRIOVÉ ZAPOJENIE
(PT) SÉRIE	(HU) SZÉRIÁBAN
(NL) SERIE	(LT) NUOSEKLUS
(EL) ΣΕΙΡΑ	(ET) JÄRJESTIKKU
(RO) SERIE	(LV) SECĪGI
(SV) SERIEKOPPLIN	(BG) ПОСЛЕДОВАТЕЛНО
(CS) SÉRIOVÉ ZAPOJENÍ	(AR) متسلسل
(HR-SR) SERIJA	

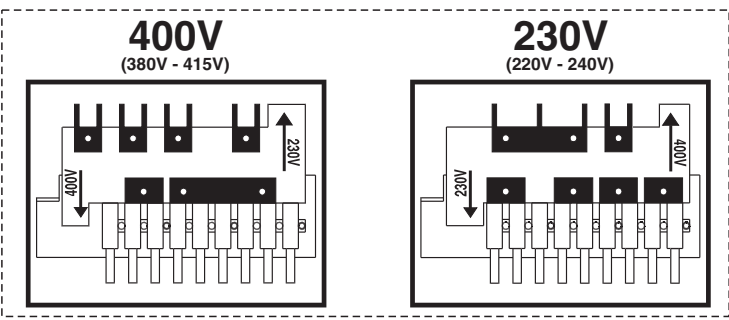
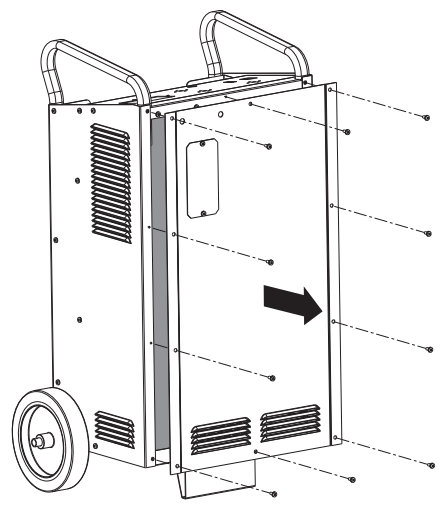
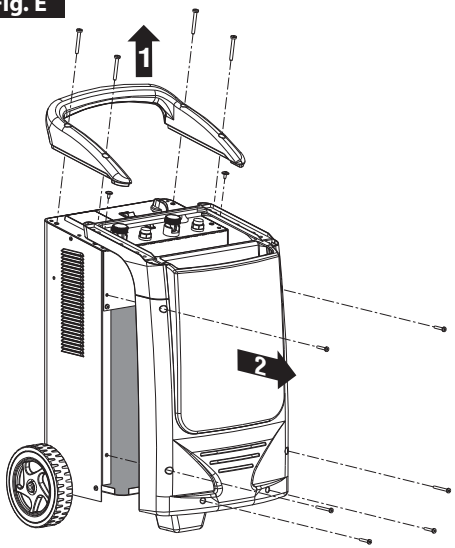
(EN) PARALLEL
(IT) PARALLELO
(FR) PARALLELE
(ES) PARALELO
(DE) PARALLEL
(RU) ПАРАЛЛЕЛЬНЫЙ
(PT) PARALELA
(NL) PARALLELSCHAKELING
(EL) ΠΑΡΑΛΛΕΛΟ
(RO) PARALEL
(SV) PARALLELKOPPLING
(CS) PARALELNÍ ZAPOJENÍ
(HR-SR) PARALELA
(PL) RÓWNOLEGIE
(FI) RINNAKKAISKYTKENTÄ
(DA) PARALLELFORBINDELSE
(NO) PARALLELKOPPLING
(SL) PARALELNI
(SK) PARALELNÉ ZAPOJENIE
(HU) PÁRHUZAMOSAN
(LT) LYGIAGRETUS
(ET) PARALLEEL
(LV) PARALELI
(BG) ПАРАЛЕЛНО
(AR) متوازي



**Fig. D**



**Fig. E**



---

#### **(EN) GUARANTEE**

The manufacturer guarantees proper operation of the machines and undertakes to replace free of charge any parts should they be damaged due to poor quality of materials or manufacturing defects within 12 months of the date of commissioning of the machine, when proven by certification. Returned machines, also under guarantee, should be dispatched CARRIAGE PAID and will be returned CARRIAGE FORWARD. This with the exception of, as decreed, machines considered as consumer goods according to European directive 1999/44/EC, only when sold in member states of the EU. The guarantee certificate is only valid when accompanied by an official receipt or delivery note. Problems arising from improper use, tampering or negligence are excluded from the guarantee. Furthermore, the manufacturer declines any liability for all direct or indirect damages.

#### **(IT) GARANZIA**

La ditta costruttrice si rende garante del buon funzionamento delle macchine e si impegna ad effettuare gratuitamente la sostituzione dei pezzi che si deteriorassero per cattiva qualità di materiale e per difetti di costruzione entro 12 mesi dalla data di messa in funzione della macchina, comprovata sul certificato. Le macchine rese, anche se in garanzia, dovranno essere spedite in PORTO FRANCO e verranno restituite in PORTO ASSEGNATO. Fanno eccezione, a quanto stabilito, le macchine che rientrano come beni di consumo secondo la direttiva europea 1999/44/CE, solo se vendute negli stati membri della EU. Il certificato di garanzia ha validità solo se accompagnato da scontrino fiscale o bolla di consegna. Gli inconvenienti derivati da cattiva utilizzazione, manomissione o incuria, sono esclusi dalla garanzia. Inoltre si declina ogni responsabilità per tutti i danni diretti ed indiretti.

#### **(FR) GARANTIE**

Le fabricant garantit le fonctionnement correct des machines et s'engage à remplacer gratuitement les composants endommagés à la suite d'une mauvaise qualité de matériel ou d'un défaut de fabrication durant une période de 12 mois à compter de la mise en service de la machine attestée par le certificat. Les machines rendues, même sous garantie, doivent être expédiées en FRANCO DESTINATION et seront renvoyées en PORT DÛ. Font exception à cette règle les machines considérées comme biens de consommation selon la directive européenne 1999/44/CE et vendues aux états membres de l'EU uniquement. Le certificat de garantie n'est valable que s'il est accompagné de la preuve d'achat ou du bulletin de livraison. Tous les inconvénients dus à une utilisation incorrecte, une manipulation ou une négligence sont exclus de la garantie. La société décline en outre toute responsabilité pour tous les dommages directs ou indirects.

#### **(ES) GARANTÍA**

La empresa fabricante garantiza el buen funcionamiento de las máquinas y se compromete a efectuar gratuitamente la sustitución de las piezas que se deterioren por mala calidad del material y por defectos de fabricación en los 12 meses posteriores a la fecha de puesta en funcionamiento de la máquina, comprobada en el certificado. Las máquinas entregadas, incluso en garantía, deberán ser enviadas a PORTE PAGADO y se devolverán a PORTE DEBIDO. Son excepción, según cuanto establecido, las máquinas que se consideran bienes de consumo según la directiva europea 1999/44/CE sólo si han sido vendidas en los estados miembros de la UE. El certificado de garantía tiene validez sólo si está acompañado de resguardo fiscal o albarán de entrega. Los problemas derivados de una mala utilización, modificación o negligencia están excluidos de la garantía. Además, se declina cualquier responsabilidad por todos los daños directos e indirectos.

#### **(DE) GEWÄHRLEISTUNG**

Der Hersteller übernimmt die Gewährleistung für den einwandfreien Betrieb der Maschinen und verpflichtet sich, solche Teile kostenlos zu ersetzen, die aufgrund schlechter Materialqualität und von Herstellungsfehlern innerhalb von 12 Monaten ab der Inbetriebnahme schadhaft werden. Als Nachweis der Inbetriebnahme gilt der Garantieschein. Werden Maschinen zurückgesendet, muß dies - auch im Rahmen der Gewährleistung - FRACHTFREI geschehen. Sie werden anschließend per FRACHTNACHNACHNAME wieder zurückgesendet. Von den Regelungen ausgenommen sind Maschinen, die nach der Europäischen Richtlinie 1999/44/EG unter die Verbrauchsgüter fallen, und nur dann, wenn sie in einem Mitgliedstaat der EU verkauft worden sind. Der Garantieschein ist nur gültig, wenn ihm der Kassenbon oder der Lieferschein beiliegt. Unsere Gewährleistung bezieht sich nicht auf Schäden aufgrund fehlerhafter oder nachlässiger Behandlung oder aufgrund von Fremdeinwirkung. Außerdem wird jede Haftung für direkte und indirekte Schäden ausgeschlossen.

#### **(RU) ГАРАНТИЯ**

Компания-производитель гарантирует хорошую работу машинного оборудования и обязуется бесплатно произвести замену частей, имеющих неисправности, явившиеся следствием плохого качества материала или дефектов производства, в течении 12 месяцев с даты пуска в эксплуатацию машинного оборудования, проставленной на сертификате. Возвращенное оборудование, даже находящееся под действием гарантии, должно быть направлено на условиях ПОРТО ФРАНКО и будет возвращено в УКАЗАННОЕ МЕСТО. Из оговоренного выше исключается машинное оборудование, считающееся товарами потребления, в соответствии с европейской директивой 1999/44/EC, только в том случае, если они были проданы в государствах, входящих в ЕС. Гарантийный сертификат считается действительным только при условии, что к нему прилагается товарный чек или товаросопроводительная накладная. Неисправности, возникшие из-за неправильного использования, порчи или небрежного обращения, не покрываются действием гарантии. Дополнительно производитель снимает с себя любую ответственность за какой-либо прямой или не прямой ущерб.

#### **(PT) GARANTIA**

A empresa fabricante torna-se garante do bom funcionamento das máquinas e compromete-se a efectuar gratuitamente a substituição das peças que porventura se deteriorarem devido à má qualidade de material e por defeitos de fabricação no prazo de 12 meses da data de entrada da máquina em funcionamento, comprovada no certificado. As máquinas devolvidas, mesmo se em garantia, deverão ser despachadas em PORTO FRANCO e serão devolvidas com FRETE A PAGAR. São excepção, a quanto estabelecido, as máquinas que são consideradas como bens de consumo segundo a directiva europeia 1999/44/CE, somente se vendidas nos estados-membros da EU. O certificado de garantia tem validade somente se acompanhado pela nota fiscal ou conhecimento de entrega. Os inconvenientes decorrentes de utilização imprópria, adulteração ou descuido, são excluídos da garantia. Para além disso, o fabricante exime-se de qualquer responsabilidade para todos os danos directos e indirectos.

## (NL) GARANTIE

De fabrikant is garant voor de goede werking van de machines en verplicht er zich toe gratis de vervanging uit te voeren van de stukken die afslijten omwille van de slechte kwaliteit van het materiaal en omwille van fabricagefouten, binnen de 12 maanden vanaf de datum van in bedrijfstelling van de machine, bevestigd op het certificaat. De geretoureerde machines, ook al zijn ze in garantie, moeten PORTVRIJ verzonden worden en zullen op KOSTEN BESTEMMELING teruggestuurd worden. Hierop maken een uitzondering de machines die vallen onder de verkoopartikelen overeenkomstig de Europese richtlijn, 1999/44/EG, alleen indien ze verkocht zijn in de lidstaten van de EU. Het garantiecertificaat is alleen geldig indien het vergezeld is van de fiscale reçu of van het ontvangstbewijs. De inconvenianten te wijten aan een slecht gebruik, schendingen of nalatigheid zijn uitgesloten uit de garantie. Bovendien wijst men alle verantwoordelijkheid af voor alle rechtstreekse en onrechtstreekse schade.

## (EL) ΕΓΓΥΗΣΗ

Η κατασκευαστική εταιρία εγγυάται την καλή λειτουργία των μηχανών και δεσμεύεται να εκτελέσει δωρεάν την αντικατάσταση τμημάτων σε περίπτωση φθοράς τους εξαιτίας κακής ποιότητας υλικού ή ελαττωμάτων κατασκευής, εντός 12 μηνών από την ημερομηνία θέσης σε λειτουργία του μηχανήματος επιβεβαιωμένη από το πιστοποιητικό. Τα μηχανήματα που επιστρέφονται, ακόμα και αν είναι σε εγγύηση, θα στέλνονται ΧΩΡΙΣ ΕΠΙΒΑΡΥΝΣΗ και θα επιστρέφονται με έξοδα ΠΛΗΡΩΤΕΑ ΣΤΟΝ ΠΡΟΟΡΙΣΜΟ. Εξαιρούνται από τα οριζόμενα τα μηχανήματα που αποτελούν καταναλωτικά αγαθά σύμφωνα με την ευρωπαϊκή οδηγία 1999/44/EC μόνο αν πωλούνται σε κρατική μέλη της ΕΕ. Το πιστοποιητικό εγγύησης ισχύει μόνο αν συνοδεύεται από επίσημη απόδειξη πληρωμής ή απόδειξη παραλαβής. Ενδεχόμενα προβλήματα οφειλόμενα σε κακή χρήση, παραποίηση ή αμέλεια, αποκλείονται από την εγγύηση. Απορρίπτεται, επίσης, κάθε ευθύνη για οποιαδήποτε βλάβη άμεση ή έμμεση.

## (RO) GARANȚIE

Fabricantul garantează buna funcționare a aparatelor produse și se angajează la înlocuirea gratuită a pieselor care s-ar putea deteriora din cauza calității scadente a materialului sau din cauza defectelor de construcție în max. 12 luni de la data punerii în funcțiune a aparatului, dovedită cu certificatul de garanție. Aparatele restituite, chiar dacă sunt în garanție, se vor expedia FĂRĂ PLATĂ și se vor restitui CU PLATA LA PRIMIRE. Fac excepție, conform normelor, aparatele care se categorisesc ca și bunuri de consum, conform directivei europene 1999/44/EC, numai dacă acestea sunt vândute în statele membre din UE. Certificatul de garanție este valabil numai dacă este însoțit de bonul fiscal sau de fișa de livrare. Nefuncționarea cauzată de o utilizare improprie, manipulare inadecvată sau neglijență este exclusă din dreptul la garanție. În plus fabricantul își declină orice responsabilitate față de toate daunele provocate direct și indirect.

## (SV) GARANTI

Tillverkaren garanterar att maskinerna fungerar bra och åtar sig att kostnadsfritt byta ut delar som går sönder p.g.a. dålig materialkvalitet och defekter inom 12 månader efter idriftsättningen av maskinen, som ska styrkas av intyg. De maskiner som lämnas tillbaka, även om de täcks av garantin, måste skickas FRAKTFRITT, och kommer att skickas tillbaka PÅ MOTTAGARENS BEKOSTNAD. Ett undantag från detta utgörs av de maskiner som räknas som konsumtionsvaror enligt EU-direktiv 1999/44/EG, och då enbart om de har sålts till något av EU:s medlemsländer. Garantisdeln är bara giltigt tillsammans med kvitto eller leveranssedel. Problemet som beror på felaktig användning, åverkan eller vårdslöshet täcks inte av garantin. Tillverkaren fransäger sig även allt ansvar för direkt och indirekt skada.

## (CS) ZÁRUKA

Výrobce ručí za správnou činnost strojů a zavazuje se provést bezplatnou výměnu dílů opotřebovaných z důvodu špatné kvality materiálu a následkem konstrukčních vad do 12 měsíců od data uvedení stroje do provozu, uvedeného na záručním listě. Vraćení stroje a to i v záruční době musí být odeslány se ZPLACENÝM POŠTOVNÝM a budou vráceny na NÁKLADY PŘÍJEMCE. Na základě dohody tvoří výjimku stroje spadající do spotřebního majetku ve smyslu směrnice 1999/44/ES pouze za předpokladu, že byly prodány v členských státech EU. Záruční list má platnost pouze v případě, že je předložen spolu s účtenkou nebo dodacím listem. Poruchy vyplývající z nesprávného použití, úmyslného poškození nebo chybějící péče nespádají do záruky. Odpovědnost se dále nevztahuje na všechny přímé a nepřímé škody.

## (HR-SR) GARANCIJA

Proizvođač garantira ispravan rad strojeva i obezbeuje se izvršiti besplatno zamjenu dijelova koji su oštećeni zbog loše kvalitete materijala i zbog tvorničkih grešaka, u roku od 12 mjeseci od dana pokretanja stroja, koji je potvrđen na garantnom listu. Vraćení strojevi, i ako su pod garancijom, moraju biti poslani bez plaćanja troškova prijevoza. Iznimka su strojevi koji se vraćaju kao potrošni materijal, u skladu sa Evropskom odredbom 1999/44/EC, samo ako su prodani zemljama članicama EU-a. Garantni list vrijedi samo ako je popraćen računom ili dostavnom listom. Oštećenja nastala uslijed neispravne upotrebe, izmjena izvršenih na stroju ili nemara nisu pokriveni garancijom. Proizvođač se ujedno odriče bilo kakve odgovornosti za sve izravne i neizravne štete.

## (PL) GWARANCJA

Producent gwarantuje prawidłowe funkcjonowanie urządzeń i zobowiązuje się do bezpłatnej wymiany części, które zepsują się w wyniku złej jakości materiału lub wad fabrycznych w ciągu 12 miesięcy od daty uruchomienia urządzenia, poświadczonej na gwarancji. Urządzenia przesłane do Producenta, również w okresie gwarancji, należy wysłać na warunkach PORTO FRANKO, po naprawie zostaną one zwrócone na koszt odbiorcy. Zgodnie z ustaleniami wyjątkiem są te urządzenia, które są odsyłane jako dobra konsumpcyjne, zgodnie z dyrektywą europejską 1999/44/WE, wyłącznie, jeżeli zostały sprzedane w krajach członkowskich UE. Karta gwarancyjna jest ważna wyłącznie, jeżeli towarzyszy jej kwit fiskalny lub dowód dostawy. Trudności wynikające z nieprawidłowego użytkowania, naruszenia lub niedbałości o urządzenia nie są objęte gwarancją. Producent nie ponosi odpowiedzialności za wszelkie szkody pośrednie i bezpośrednie.

## (FI) TAKUO

Valmistusyritys takaa koneiden hyvän toimivuuden sekä huolehtii huonolaatuisten materiaalin ja rakennusvirheiden takia huonontuneiden osien vaihdosta ilmaiseksi 12 kuukauden sisällä koneen käyttöönottopäivästä, mikä ilmenee sertifiikaatista. Palautettavat koneet, myös takuussa olevat, on lähetettävä LÄHETTÄJÄN KUSTANNUKSELLA ja ne palautetaan VASTAANOTTAJAN KUSTANNUKSELLA. Poikkeuksen muodostavat koneet, jotka asetuksissa kuuluvat kulutushyödykkeisiin eurooppalaisen direktiivin 1999/44/EC mukaan vain, jos ne myydään EU:n jäsen maissa. Takuudistust on voimassa vain, jos siihen on liitetty verotuskuitti tai todistus tavaran vastaan toimituksesta. Takuu ei kata vääriinkäytöstä, vaurioittamisesta tai huolimattomuudesta johtuvia haittoja. Lisäksi yritys kieltäytyy ottamasta vastuuta kaikista välittömistä tai välillisistä vaurioista.

#### **(DA) GARANTI**

Producenten stiller garanti for, at maskinerne fungerer ordentligt, og forpligter sig til vederlagsfrit at udskifte de dele, der måtte fremvise defekter på grund af ringe materialekvalitet eller fabriktionsfejler i løbet af de første 12 måneder efter maskinens idriftsættelsesdato, der fremgår af beviset. Selvom de returnerede maskiner er i garanti, skal de sendes FRANKO FRAGT, mens de tilbageleveres PR. EFTERKRAV. Dette gælder dog ikke for de maskiner, der i henhold til Direktivet 1999/44/EØF udgør forbrugsobjekt, men kun på betingelse af at de sælges i EU-landene. Garantibeviset er kun gyldigt, hvis der vedlægges en kassebon eller fragtpapirer. Garantien dækker ikke for forstyrrelser, der skyldes forkert anvendelse, manipulering eller skødesløshed. Producenten fralægger sig desuden ethvert ansvar for alle direkte og indirekte skader.

#### **(NO) GARANTI**

Tilverkeren garanterer maskinens korrekte funksjon og forplikter seg å utføre gratis bytte av deler som blir ødelagt på grunn av en dårlig kvalitet i materialer eller konstruksjonsfeil som oppstår innen 12 måneder fra maskinens igangsetting, i overensstemmelse med sertifikatet. Maskiner som sendes tilbake, også i løpet av garantiperioden, skal skikkes FRAKTFRITT og skal sendes tilbake MED BETALNING AV MOTTAKEREN, unntatt maskinene som tilhører forbruktingsvarer ifølge europadirektiv 1999/44/EC, kun hvis de selges i en av EUs medlemsstater. Garantisertifikatet er gyldig kun sammen med kvittering eller leveringsblankett. Feil som oppstår på grunn av galt bruk, manipulering eller slurv, er utelukket fra garantin. Dessuten frasier seg selskapet alt ansvar for alle direkte og indirekte skader.

#### **(SL) GARANCIJA**

Proizvajalec zagotavlja pravilno delovanje strojev in se zavezuje, da bo brezplačno zamenjal dele, ki se bodo obrabili zaradi slabe kakovosti materiala in zaradi napak pri proizvodnji v roku 12 mesecev od dneva nakupa označenega ne tem certifikatu. Izjema so le aparati, ki so del potrošnih dobrin v skladu z evropsko direktivo 1999/44/EC, le če so bili prodani v državi članici EU. Garancija potrdilo je veljavno le, če je priložen veljaven račun. Napake, ki izhajajo iz nepravilne uporabe, posegov ali malomarnosti, garancija ne pokriva. Poleg tega proizvajalec zavrača odgovornost za vse posredne in neposredne poškodbe. Ne delujoč aparat mora pooblaščen servis popraviti v roku 45 dni, v nasprotnem primeru se kupcu izroči nov aparat. Proizvajalec zagotavlja dobavo rezervnih delov še 5 let od nakupa izdelka. Na podlagi zakona o spremembah in dopolnitvah Zakona o varstvu potrošnikov (ZVPot-E) (Ur.l.RS št. 78/2011) podjetje Telwin s.p.a., kot organizator servisne mreže izrecno izjavlja: da velja garancija za izdelek na teritorialnem območju države v kateri je izdelek prodan končnim potrošnikom ; opozarja potrošnike, da garancija in uveljavljanje zahtevkov iz naslova garancije ne izključuje pravic potrošnika, ki izhajajo iz naslova odgovornosti prodajalca za napake na blagu. ORGANIZATOR SERVISNE SLUŽBE ZA SLOVENIJO: Itehnik d.o.o., Vanganelška cesta 26a, 6000 Koper, tel: 05/625-02-08.

#### **(SK) ZÁRUKA**

Výrobca ručí za správnú činnosť strojov a zaväzuje sa vykonať bezplatnú výmenu dielov opotrebovaných z dôvodu zlej kvality materiálu a následkom konštrukčných väd do 12 mesiacov od dátumu uvedenia stroja do prevádzky, uvedeného na záručnom liste. Vrátené stroje a to i v podmienkach záručnej doby musia byť odoslané so ZAPLATENÝM POŠTOVNÝM a budú vrátené na NÁKLADY PRÍJEMCU. Na základe dohody výnimku tvoria stroje spadajúce do spotrebneho majetku, v zmysle smernice 1999/44/ES, len za predpokladu, že boli predané v členských štátoch EÚ. Záručný list je platný len v prípade, keď je predložený spolu s účtenkou alebo dodacím listom. Poruchy vyplývajúce z nesprávneho použitia, neoprávneného zásahu alebo nedostatočnej starostlivosti nespádajú do záruky. Zodpovednosť sa ďalej nevzťahuje na všetky priame i nepriame škody.

#### **(HU) JÓTÁLLÁS**

A gyártó cég jótállást vállal a gépek rendeltetésszerű üzemeléséért illetve vállalja az alkatrészek ingyenes kicserélését ha azok az alapananyag rossz minőségéből valamint gyártási hibából erednek a gép üzembe helyezésének a bizonysolt szertint igazolható napjától számított 12 hónapon belül. A cserélendő alkatrészeket még a jótállás keretében is BÉRMENTESEN kell visszaküldeni, amelyek UTÓVÉTEL lesznek a vevőhöz kiszállítva. Kivételt képeznek e szabály alól azon gépek, melyek az Európai Unió 1999/44/EC irányelve szerint meghatározott fogysztási cikkek minőségűek, s az EU tagországokban kerültek értékesítésre. A jótállás csak a blokki igazolás illetve szállítólévél mellékkletével érvényes. A nem rendeltetésszerű használatból, megrongálásból illetve nem megfelelő gondossággal való kezelésből eredő rendellenességek a jótállást kizárják. Kizárt továbbá bármilyen felelősségvállalás minden közvetlen és közvetett kárért.

#### **(LT) GARANTIJA**

Gamintojas garantuoja neprieikiastingą įrenginio veikimą ir įsipaieigoja nemokamai pakeisti gaminio dalis, susidėvėjusias as susigadinusias dėl prastos medžiagos kokybės ar dėl konstrukcijos defektų 12 mėnesių laikotarpyje nuo įrenginio paleidimo datos, kuri turi būti pailudyta pažymėjimu. Gražinami įrenginiai, net ir galiojant garantijai, turi būti siunčiami ir bus sugrąžinti atgal PIRKĖJO lėšomis. Išimty aukščiau aprašytai sąlygai sudaro prietaisai, kurie pagal 1999/44/EC Europos direktyvą gali būti laikomi plataus vartojimo prekėmis bei yra pardauodami tik ES šalyse. Garantinis pažymėjimas galioja tik tuo atveju, jei yra lydimas fiskalinio čekio arba pristatymo dokumento. Į garantiją nėra įtraukti nesklandumai, susiję su netinkamu prietaiso naudojimu, aplaidumu ar prasta jo priežiūra. Gamintojas taip pat atsisrvoja nuo atsakomybės už bet kokius tiesioginius ar netiesioginius nuostolius.

#### **(ET) GARANTI**

Tootjafirma vastutab masinate hea funktsioneerimise eest ja kohustub asendama tasuta osad, mis riknevad halva kvaliteediga materjali ja konstruksioonidefektide tõttu, 12 kuu jookslu alates masina käikupanemise sertifikaadil tõestatud kuupäevast. Tagasi saadetavad masinad, ka kehtiva garantiiga, tuleb saata TASUTUD POSTIMAKSUGA ja nende tagastamise SAATEKULUD ON KAUBASAAJA TASUDA. Nagu kehtestatud, teevad erandi masinad, mis kuuluvad euroopa normatiivi 1999/44/EC kohaselt tarbekauba kategooriasse ja ainult siis, kui müüdüd ÜE liikmesriikides. Garantisertifikaat kehtib ainult koos ostu- või kätetoimetamiskviitungiga. Garantii ei hõlma riknemisi, mis on põhjustatud seadme vääraast käsitlemisest, modifitseerimisest või hoolimatust kasutamisest. Peale selle ei vastuta firma kõigi otseste või kaudsete kahjude eest.

#### **(LV) GARANTIJA**

Ražotājs garantē mašīnu labu darbšpēju un apņemas bez maksas nomainīt detaļas, kuras nodilst materiāla sliktas kvalitātes dēļ vai ražošanas defektu dēļ 12 mēnešu laikā kopš sertifikātā norādītā mašīnas ekspluatācijas sākuma datuma. Atpakaj nosūtāmas mašīnas, pat to garantijas laikā, ir jānosūta saskaņā ar FRANKO-OSTA noteikumiem un garantijas tās atgriezis uz NORĀDĪTO OSTU. Minētie nosacījumi neattiecas uz mašīnām, kuras saskaņā ar Eiropas direktīvu 1999/44/EC tiek uzskatītas par patēriņa precī, bet tikai gadījumā, ja tās tiek pārdotas ES dalībvalstīs. Garantijas sertifikāts ir spēkā tikai kopā ar kases čeku vai pavadzīmi. Garantija neattiecas uz gadījumiem, kad

bojājumi ir radušies nepareizās izmantošanas, noteikumu neievērošanas vai nolaidības dēļ. Turklāt, šajā gadījumā ražotājs noņem jebkādu atbildību par tiešajiem un netiešajiem zaudējumiem.

**(BG) ГАРАНЦИЯ**

Фирмата производител гарантира за доброто функциониране на машините и се задължава да извърши безплатно подмяната на части, които са се повредили, заради некачествен материал или производствени дефекти, до 12 месеца от датата на пускане в действие на машината, доказана с гаранционна карта. Върнатите машини, дори и в гаранция, трябва да бъдат изпратени със ЗАПЛАТЕН ПРЕВОЗ и ще бъдат върнати с НАЛОЖЕН ПЛАТЕЖ. С изключение на машините, които се считат за движимо имущество за постоянно ползване, както е установено от европейската директива 1999/44/ЕС, само ако машините са продавани в страни членки на Европейския съюз. Гаранционната карта е валидна, само ако е придружена от фискален бон или разписка за доставка. Нередностите, произтичащи от лоша употреба или небрежност, са изключени от гаранцията. Освен това се отклонява всякаква отговорност за директни или индиректни щети.

**(AR) الضمان**

تضمن الشركة المُصنعة جودة الماكينات، كما أنها تتعهد باستبدال قطع مجانئاً في حالة تلفها بسبب سوء جودة المادة وعيوب التصنيع وذلك في خلال 12 شهر من تاريخ تشغيل الماكينة المثبت في الشهادة. سترسل الماكينات المسترجعة - حتى وإن كانت في الضمان- على حساب المُرسِل ويتم استرجاعهم على حساب المستلم. وذلك باستثناء -كما هو مقرر- الماكينات التي تُعتبر سلع استهلاكية وفقاً للتوجيه الأوروبي رقم 44 لعام 1999 - الاتحاد الأوروبي "CE/44/1999"، والتي يتم بيعها فقط في الدول الأعضاء في الاتحاد الأوروبي. تسري شهادة الضمان فقط إذا كان معها إيصال أو مذكرة تسليم. لا يشمل الضمان المشاكل التي تُنتج عن سوء الاستخدام أو العبث أو الإهمال. كما أنها لا تتحمل أي مسؤولية عن جميع الأضرار المباشرة وغير المباشرة.

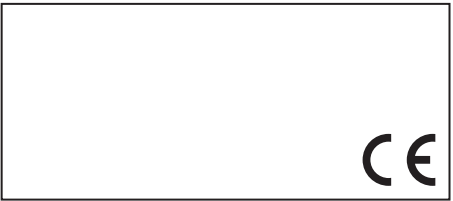
(EN) CERTIFICATE OF GUARANTEE	(EL) ΠΙΣΤΟΠΟΙΗΤΙΚΟ ΕΓΓΥΗΣΗΣ	(NO) GARANTIBEVIS
(IT) CERTIFICATO DI GARANZIA	(RO) CERTIFICAT DE GARANȚIE	(SL) CERTIFICAT GARANCIJE
(FR) CERTIFICAT DE GARANTIE	(SV) GARANTISEDEL	(SK) ZÁRUČNÝ LIST
(ES) CERTIFICADO DE GARANTIA	(CS) ZÁRUČNÍ LIST	(HU) GARANCIALEVÉL
(DE) GARANTIEKARTE	(HR-SR) GARANTNI LIST	(LT) GARANTINIS PAŽYMĖJIMAS
(RU) ГАРАНТИЙНЫЙ СЕРТИФИКАТ	(PL) CERTYFIKAT GWARANCJI	(ET) GARANTISERTIFIKAAT
(PT) CERTIFICADO DE GARANTIA	(FI) TAKUUTODISTUS	(LV) GARANTIJAS SERTIFIKĀTS
(NL) GARANTIEBEWIJS	(DA) GARANTIBEVIS	(BG) ГАРАНЦИОННА КАРТА
		(AR) شهادة الضمان

MOD. / MONT / МОД./ ÖRLAP / MUDEL / МОДЕЛ / Št / Br.

(EN) Date of buying - (IT) Data di acquisto - (FR) Date d'achat - (ES) Fecha de compra - (DE) Kaufdatum - (RU) Дата покупки - (PT) Data de compra - (NL) Datum van aankoop - (EL) Ημερομηνία αγοράς - (RO) Data achiziției - (SV) Inköpsdatum - (CS) Datum zakoupení - (HR-SR) Datum kupnje - (PL) Data zakupu - (FI) Ostopäivämäärä - (DA) Købsdato - (NO) Innkjøpsdato - (SL) Datum nakupa - (SK) Dátum zakúpenia - (HU) Vásárlás kelte - (LT) Pirkimo data - (ET) Ostu kuupäev - (LV) Pirkšanas datums - (BG) ДАТА НА ПОКУПИКАТА - (AR) تاريخ الشراء

NR. / ARIQM / E. / Ć. / НОМЕР:

(EN) Sales company (Name and Signature)	(PL) Firma odsprzedająca (Pieczęć i Podpis)
(IT) Ditta rivenditrice (Timbro e Firma)	(FI) Jälleenmyyjä (Leima ja Allekirjoitus)
(FR) Revendeur (Chacnet et Signature)	(DA) Forhandler (Stempel og underskrift)
(ES) Vendedor (Nombre y sello)	(NO) Forhandler (Stempel og underskrift)
(DE) Händler (Stempel und Unterschrift)	(SL) Prodajno podjetje (Zig in podpis)
(RU) ШТАМПА И ПОДПИСЬ (ТОРГОВОГО ПРЕДПРИЯТИЯ)	(SK) Predajca (Pečiatka a podpis)
(PT) Revendedor (Carimbo e Assinatura)	(HU) Eladás helye (Pecset és Aláírás)
(NL) Verkoper (Stempel en naam)	(LT) Pardavejas (Antspaudas ir Parašas)
(EL) Κατάστημα πώλησης (Σφραγίδα και υπογραφή)	(ET) Edasimüügi firma (Tempel ja allkiri)
(RO) Reprezentant comercial (Stampila și semnătură)	(LV) Izplāitājs (Zīmogs un paraksts)
(SV) Återförsäljare (Stämpel och Underskrift)	(BG) ПРОДАВАЧ (Подпис и Печат)
(CS) Prodejce (Razítka a podpis)	(AR) شركة المبيعات (ختم وتوقيع)
(HR-SR) Tvrtka prodavatelj (Pečat i potpis)	



(EN) The product is in compliance with:	(RO) Produsul este conform cu:	(SK) Výrobek je v shodě se:
(IT) Il prodotto è conforme a:	(SV) Att produkten är i överensstämmelse med:	(HU) A termék megfelel a következőzéknek:
(FR) Le produit est conforme aux:	(CS) Výrobek je v souladu se:	(LT) Produkta atitinka:
(ES) Het product overeenkomstig de:	(HR-SR) Proizvod je u skladu sa:	(ET) Toode on kooskõlas:
(DE) Die Maschine entspricht:	(PL) Produkt spełnia wymagania następujących Dyrektyw:	(LV) Izstrādājums atbilst:
(RU) Заявляется, что изделие соответствует:	(FI) Että laite mallia on yhdenmukainen direktiivissä:	(BG) Продуктът отговаря на:
(PT) El producto es conforme as:	(DA) At produktet er i overensstemmelse med:	
(NL) O product is conforme as:	(NO) At produktet er i overensstemmelse med:	
(EL) Το προϊόν είναι κατασκευασμένο σύμφωνα με τη:	(SL) Proizvod je v skladu z:	(AR) المنتج متوافق مع:

(EN) DIRECTIVES - (IT) DIRETTIVE - (FR) DIRECTIVES - (ES) DIRECTIVAS - (DE) RICHTLINIEN - (RU) ДИРЕКТИВЫ - (PT) DIRECTIVAS - (NL) RICHTLIJNEN - (EL) ΠΡΟΔΙΑΓΡΑΦΕΣ - (RO) DIRECTIVE - (SV) DIREKTIV - (CS) SMĚRNICE - (HR-SR) DIREKTIVE - (PL) DYREKTYWY - (FI) DIREKTIIVIT - (DA) DIREKTIVER - (NO) DIREKTIVER - (SL) DIREKTIVE - (SK) SMERNICE - (HU) IRÁNYELVEK - (LT) DIREKTYVOS - (ET) DIREKTIIVID - (LV) DIREKTĪVAS - (BG) ДИРЕКТИВИ - (AR) توجيه

LVD 2014/35/EU + Amdt.

EMC 2014/30/EU + Amdt.

RoHS 2011/65/EU + Amdt.